

FASTENER, STANDARD (METRIC): SCREW [M3 X .5 MM X 3 MM] CUP POINT

Spring: Detent [.180 TLG X .090 OD X 100 lb/in] SS, LHW

Ball [Ø 0.0938] 52100 Grade 25 Steel, Chrome

Seals: O-Ring [2.0 MM ID x 1.5 MM CS] Metric, N-60, Static

Damping Adj Part: Needle, Compression, Parabolic, LIVE [.028in<sup>2</sup> Flow Area], 416

Seals: O-Ring [3.0mm ID X 1.0mm CS] Metric, A90 NBR, Static

IMPORTANT: VERIFY FULL INSTALLATION COMPLETE 360°

CHECK: WIRES MUST EXIT FREELY

CHECK: AUDIBLE DETENTS WHEN TURNED

820-09-032-KIT LIVE Valve, Solenoid Assembly, FEMA

210-22-967 Solenoid Retainer Plate, 2017 LIVE

038-01-074 Retaining Ring: Wire, Solenoid End Cap, 2017 LIVE

019-01-044

039-00-246

010-01-002-A

029-08-026

210-03-240

029-08-205

210-24-411

002-02-083

029-08-073

002-02-072

029-08-031

TORQUE: BOTTOM OUT, THEN TURN OUT 1/2 TURN

IMPORTANT: ENSURE O-RINGS DO NOT GET PINCHED BY GLIDE RING

IMPORTANT: ENSURE PART TRANSLATES FREELY AFTER INSTALLATION

OIL: COAT ID

LIVE Valve, BV Outer Housing, Damped Boost Valve, Large Area

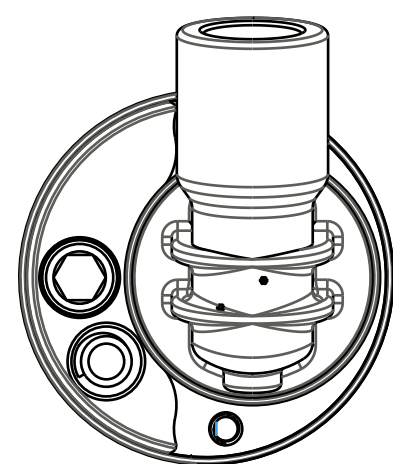
Bearing: Glide Ring, Live Valve BV, X-Small Diameter

Seals: O-Ring [9.0MM ID x 1.0MM CS] Metric, N-70, Static

Bearing: Glide Ring, LIVE Valve BV, Large Diameter

Seals: O-Ring [14.5MM ID x 1.0MM CS] Metric, N-70, Static

Compression Cartridge Housing, LIVE Valve, Break Away Connector Design, Large Area



ORIENT SOLENOID AND WIRE EXIT DIRECTION AS SHOWN

USE MX-5 TEFLON SHOCK OIL TO INSTALL ALL O-RINGS AND GLIDE BANDS. DO NOT USE SLICK HONEY

PROPRIETARY - THIS DOCUMENT CONTAINS CONFIDENTIAL, PROPRIETARY INFORMATION THAT IS FOX PROPERTY. DO NOT DISCLOSE TO OR DUPLICATE FOR OTHERS EXCEPT AS AUTHORIZED BY FOX.

FOX Factory, Inc. 130 Hangar Way, Watsonville, CA 95076 USA Ph 831-768-1100 Fax 831-768-9312

TITLE 2019 LIVE Compression Housing Sub Assy

SIZE DWG. NO. C 815-00-091-KIT

PLOT SCALE | .50:1 | SHEET 1 OF 1