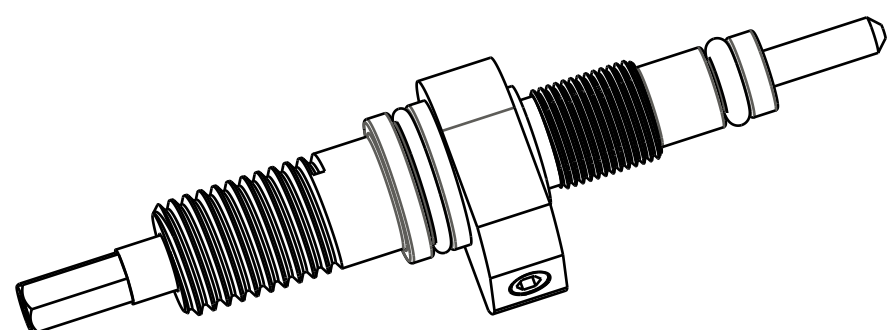


4

3

2

1



SCALE 2.000

029-08-022
Seals: O-Ring [8.0MM ID x 1.0MM CS] Metric, N-70, Static

Lower Damper Shaft Insert, 2017 iRD Lightweight

210-24-092
Screw, Rebound Adjust, iRD Lightweight

GREASE:
THIN LAYER
OF SLICK HONEY

GREASE:
THIN LAYER OF BLUE MARINE
ON FULL 360° OF THREADS

029-08-068
Seals: O-Ring [3.0MM ID x 1.5MM CS] Metric, N-70, Static

010-01-002
Ball [Ø 0.0938] Steel

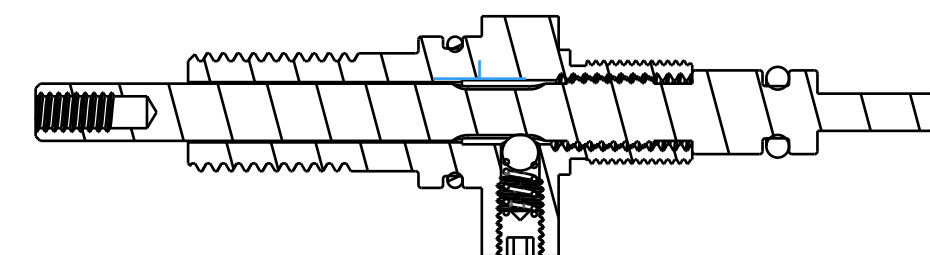
039-00-243
Spring: Detent [.138 TLG, .087 OD, 48 lb/in]

019-01-017
Screw [M3 x .5mm x 3mm], SS, Cup Point, Nylock Patch

GREASE:
THIN LAYER
OF SLICK HONEY

GREASE:
THIN LAYER
OF BLUE MARINE

TIGHTEN UNTIL FLUSH



SECTION A-A
SCALE 2.000

FOX **FOX Factory, Inc.** Ph 831-768-1100
130 Hangar Way, Watsonville, CA 95076 USA Fax 831-768-9312

TITLE
2017 32 iCTD REBOUND
ADJUSTER, LIGHTWEIGHT

SIZE DWG. NO. **820-03-282-KIT**

PLOT SCALE 3:1 SHEET 1 OF 1

- PROPRIETARY -
THIS DOCUMENT CONTAINS CONFIDENTIAL, PROPRIETARY INFORMATION
THAT IS FOX PROPERTY. DO NOT DISCLOSE TO OR DUPLICATE
FOR OTHERS EXCEPT AS AUTHORIZED BY FOX.

4

3

2

1