

SCALE 6.000

Spring: [0.214 TLG X 0.379 ID X 3.5 lb/in] Stainless Steel

039-00-145

210-24-482
Damping Adjust Part: Check Limiter and Spring Perch, 0.040in Lift, 2019 LIVE

IMPORTANT:
SMALLER OD FITS
INSIDE SPRING

045-00-035
Valve: Metric [13.0mm OD X 8.1mm ID X 0.15mm TH]

Piston: Rebound, Kidney, 35/65 Flow

002-02-011
Glide Ring, 04 Slim R_RL_RLC_X

044-04-050
Valve: [1.500 OD X .252 ID X .0045 TH]

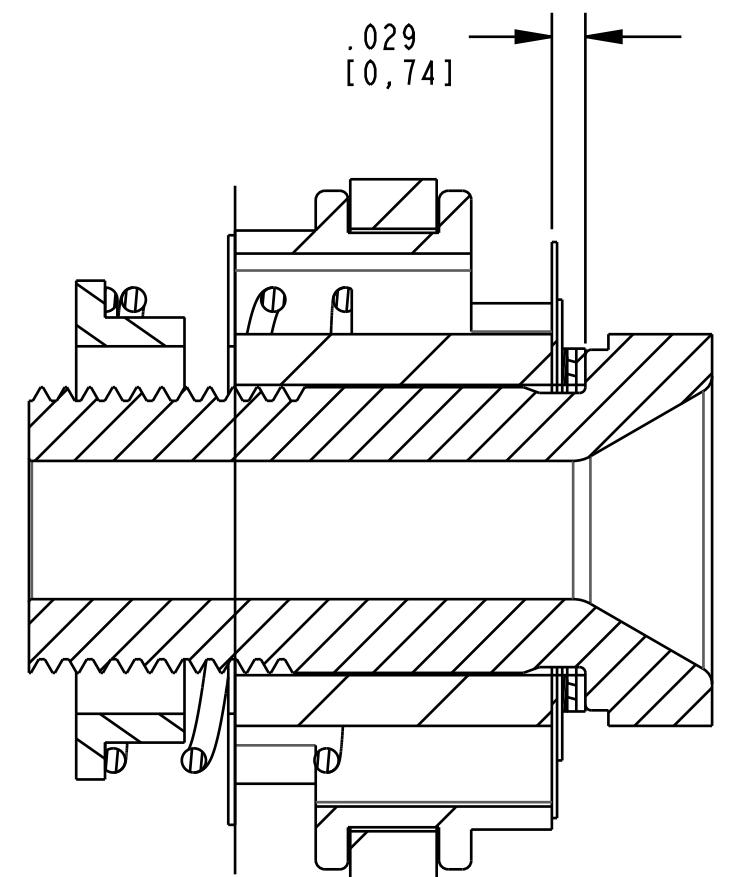
044-04-040
Valve: [0.400 OD x 0.252 ID x 0.0045 TH]

045-00-098
VALVE 8.0MM OD X 6.4MM ID X 0.10MM TH

045-00-090
VALVE 8.0MM OD X 6.4MM ID X 0.20MM TH

(045-00-090)

210-22-314
Damp Adj Part: Bolt, Rebound Piston, 010 RL-RLC



SECTION A-A
SCALE 6:1

FOX FOX Factory, Inc. Ph 831-768-1100
130 Hangar Way, Watsonville, CA 95076 USA Fax 831-768-9312

TITLE
Piston Assy, Rebound
2019 8mm Shaft, RTM

SIZE DWG. NO.
C 820-03-512-KIT

PLOT SCALE 3.00:1 SHEET 1 OF 1

PROPRIETARY
THIS DOCUMENT CONTAINS CONFIDENTIAL, PROPRIETARY INFORMATION
THAT IS FOX PROPERTY. DO NOT DISCLOSE TO OR DUPLICATE
FOR OTHERS EXCEPT AS AUTHORIZED BY FOX.