

4

3

2

1

D

D

C

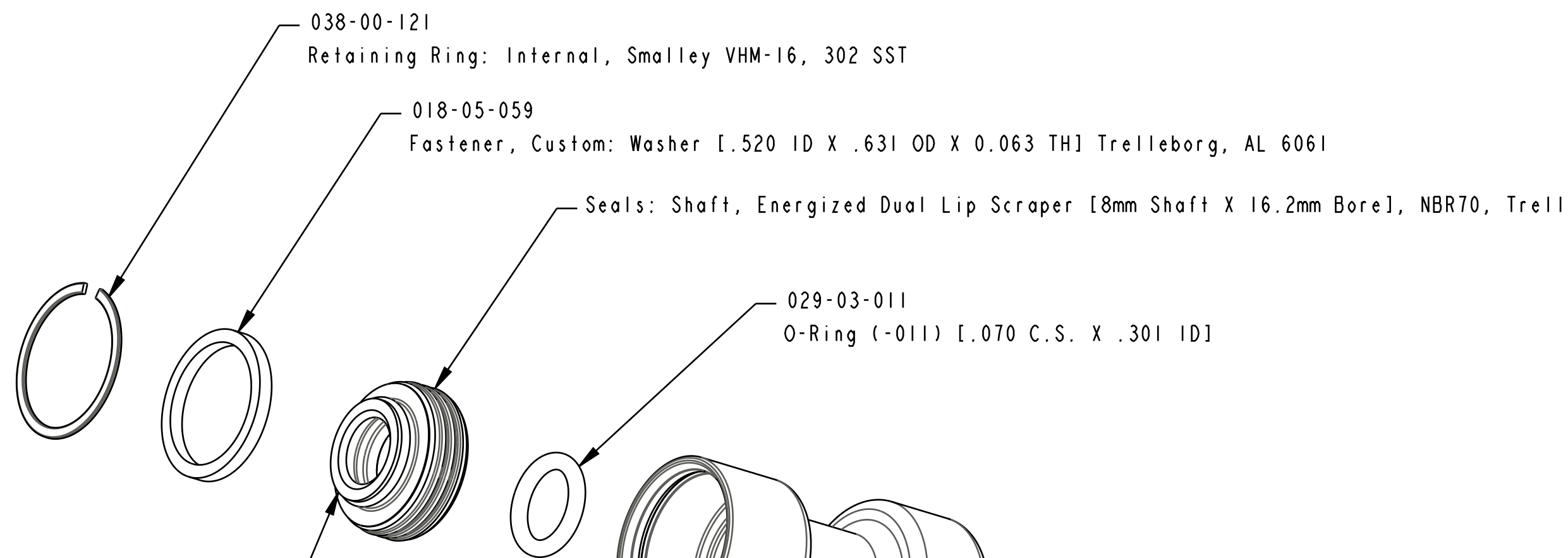
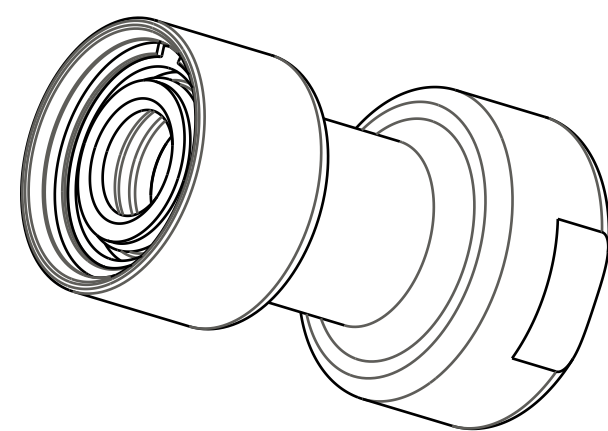
C

B

B

A

A



038-00-121
Retaining Ring: Internal, Smalley VHM-16, 302 SST

018-05-059
Fastener, Custom: Washer [1.520 ID X .631 OD X 0.063 TH] Trelleborg, AL 6061

Seals: Shaft, Energized Dual Lip Scraper [8mm Shaft X 16.2mm Bore], NBR70, Trell

029-03-011
O-Ring (-011) [1.070 C.S. X .301 ID]

Bearing: [8mm ID X 10mm OD X 12mm TLG]

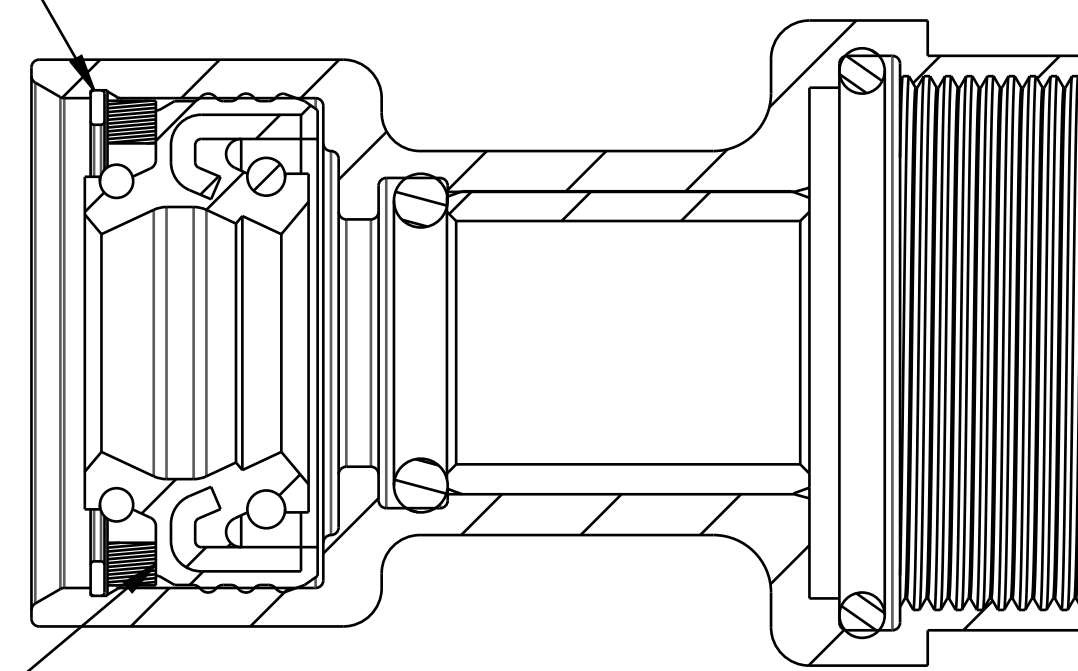
029-08-059
Seals: O-Ring [16.5mm ID X 1.5mm CS] Metric, N-70, Static

Sealhead Body, 2019 FIT, 8mm, M17.56, Trelleborg, O-Ring

IMPORTANT:
ENSURE RETAINING RING IS FULLY
SEATED INTO GROOVE FULL 360°

IMPORTANT:
NOTE ORIENTATION
OF SEAL

IMPORTANT:
NOTE ORIENTATION
OF SEAL



SECTION A-A
SCALE 4.000

- PROPRIETARY -
THIS DOCUMENT CONTAINS CONFIDENTIAL, PROPRIETARY INFORMATION
THAT IS FOX PROPERTY. DO NOT DISCLOSE TO OR DUPLICATE
FOR OTHERS EXCEPT AS AUTHORIZED BY FOX.

		FOX Factory, Inc.	Ph 831-768-1100
		130 Hangar Way, Watsonville, CA 95076 USA	Fax 831-768-9312
TITLE SEALHEAD ASSY, 2019 FIT [8MM, M17.56] TRELLEBORG, O-RING			
SIZE	DWG. NO.	820-03-569-KIT	
C		PLOT SCALE 2.00:1	SHEET 1 OF 1

4

3

2

1