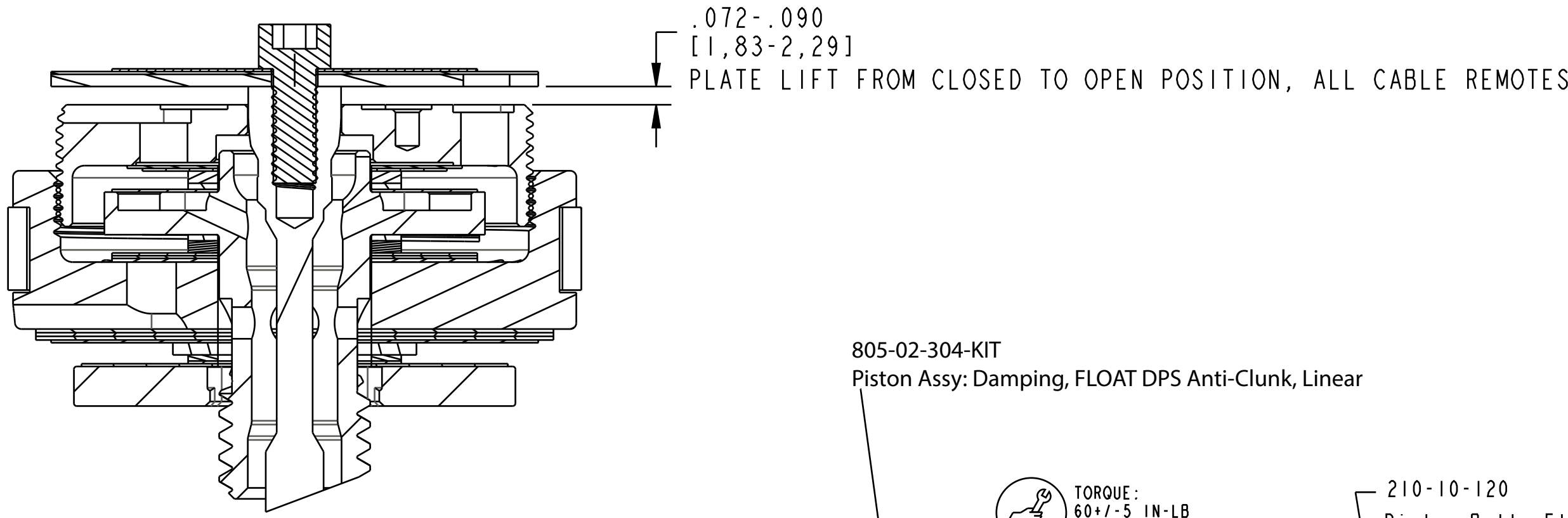


4

3

2

1



805-02-304-KIT
Piston Assy: Damping, FLOAT DPS Anti-Clunk, Linear

TORQUE:
60+/-5 IN-LB
CUSTOM SOCKET 398-00-637

210-10-120
Piston Bolt: Float DPS w/ Check 2mm Cross Holes [1/4-28 X 5/8 Hex]

222-01-316
Piston: Lockout, Float DPS V3 [.200 TLG, M20 X 0_.5] 416SS

SPACERS MAY BE ADDED OR REMOVED
TO ADJUST NUMBER OF REBOUND CLICKS

TORQUE:
22+/-2 IN-LB
CUSTOM SOCKET 398-00-638

SPACERS MAY BE ADDED OR REMOVED TO ADJUST LOCKOUT PLATE LIFT

805-05-201-KIT
Valve Stack Assy: 2018 Float DPS, Lockout Firm, CMF

SPACERS MAY BE ADDED OR REMOVED TO ADJUST NUMBER OF REBOUND CLICKS

805-05-304-KIT
Valve Stack Assy: 2018 Float DPS, Linear Rebound Medium, LRM

805-05-105-KIT
Valve Stack Assy: 2018 Float DPS, Linear Compression Light, LCL

210-10-098
FLOAT MY2013 Check Piston [.700 OD X .252 ID X .065 TH] Round CNC, SS

PROPRIETARY
THIS DOCUMENT CONTAINS CONFIDENTIAL, PROPRIETARY INFORMATION
THAT IS FOX PROPERTY. DO NOT DISCLOSE TO OR DUPLICATE
FOR OTHERS EXCEPT AS AUTHORIZED BY FOX.

FOX **FOX Factory, Inc.** Ph 831-768-1100
130 Hangar Way, Watsonville, CA 95076 USA Fax 831-768-9312

TITLE
**Valving Assy: 2019 FLOAT DPS,
Remote, Linear Piston**

SIZE DWG. NO.
C
PLOT SCALE 2.00:1 SHEET 1 OF 1

4

3

2

Pr oE ASSEM