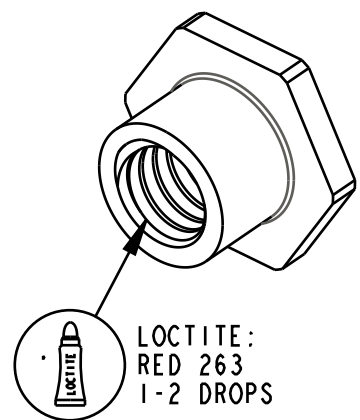


4

3

2

1



DETAIL Y
SCALE 4:1

- 019-02-025 Fastener, Standard (Metric), Nut, M6 x .75
- 241-02-106 Fastener, Custom: Bolt Piston Comp Grip
- 039-00-349 Spring: [0.200 TLG X .400 ID X 0.50 lbs/in] Stainless Steel
- 045-00-151 Valve: Metric [8.00mm OD X 5.55mm ID X 0.25mm THK] Custom, Check
- 222-01-295 Piston Damping Comp 20.0 Bore

Seals: O-Ring [16.0mm ID X 2.0mm CS] Metric, N-70, Dynamic

029-03-011 O-Ring (-011) [.070 C.S. X .301 ID]

223-00-049 Piston Floating: IFP, Grip

TORQUE:
16±1 IN.LB.

029-08-188 O-Ring [17mm ID X 1.5mm CS], N-90, Static

COMPRESSION VALVING:
820-03-331-KIT: 2017 Grip Compression Valving
820-03-589-KIT: 2019 Grip E-Bike Compression Valving

029-08-084 Seals: O-Ring [8mm ID X 1.5mm CS] Metric, N-70, Static

210-22-957 Damping Adj Part: Hat Preload Comp

029-08-108 Seals: O-Ring [4.0mm ID x 1.5mm CS] Metric, N-70, Static

231-00-026 Sleeve: Isolator, Spring, OD, Grip

019-01-116 Fastener Standard (Metric): PIN SS 2 X 12

229-10-650 Shaft, Damper, Comp, 8mm, Grip, 36 180 Max

210-03-256 Damping Adjust Part: Needle, Comp, Grip, 36 180 Max

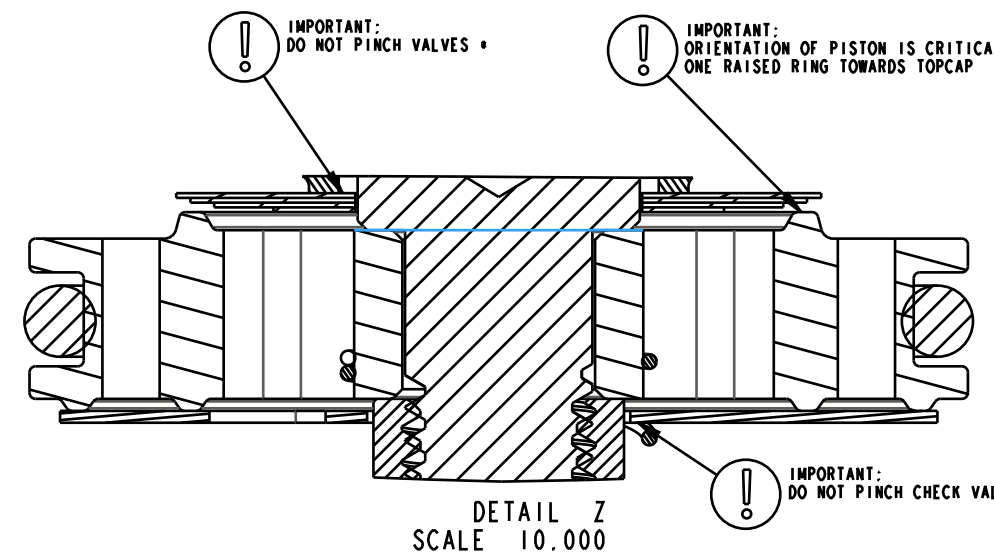
IMPORTANT:
NOTE ORIENTATION
THIS END TAPERED

039-00-435 Spring, Piston, Floating, Grip 180

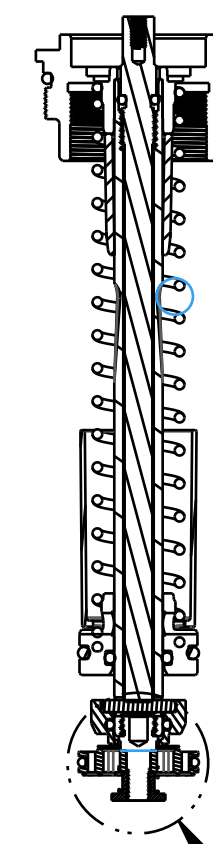
231-00-025 Sleeve: Isolator, Spring, ID, Grip

029-08-178 Seals: O-Ring [30.0mm X 1.5mm CS] Metric, N-70, Static

Damping Adj Part: Topcap 36 2018 Grip, Black Ano



DETAIL Z
SCALE 10.000



SECTION A-A
SEE DETAIL Z

FOX FOX Factory, Inc. Ph 831-768-1100
130 Hangar Way, Watsonville, CA 95076 USA Fax 831-768-9312

TITLE
**2019 36 180 MAX Grip
Damper Topcap Assemblies**

SIZE DWG. NO.

C

PLOT SCALE 0.80:1

SHEET 1 OF 1

PROPRIETARY
THIS DOCUMENT CONTAINS CONFIDENTIAL, PROPRIETARY INFORMATION
THAT IS FOX PROPERTY. DO NOT DISCLOSE TO OR DUPLICATE
FOR OTHERS EXCEPT AS AUTHORIZED BY FOX.

4

3

2

1