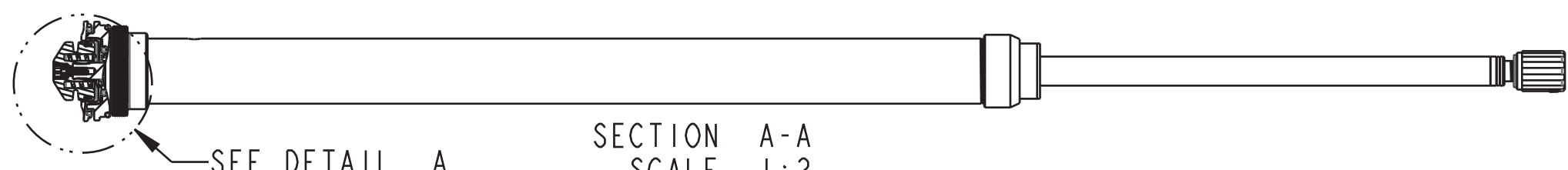


4

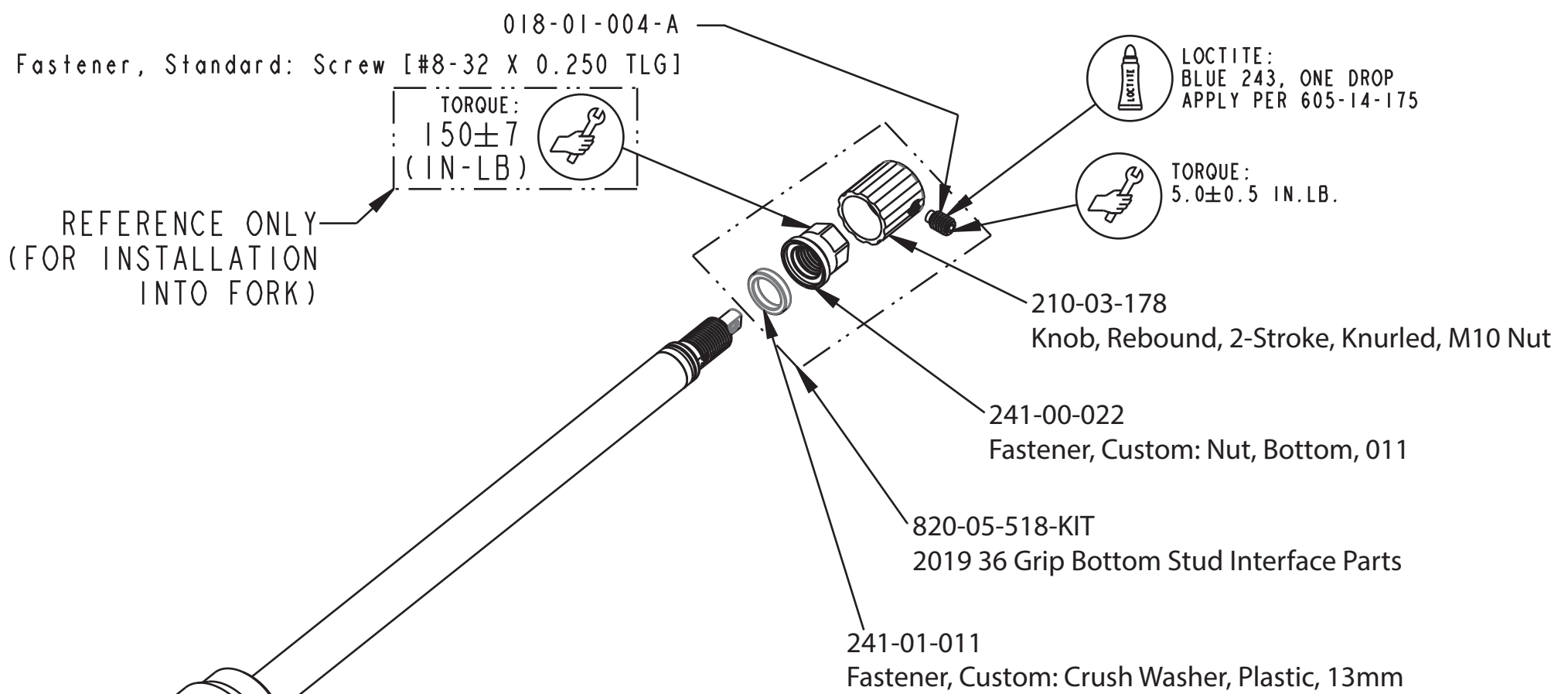
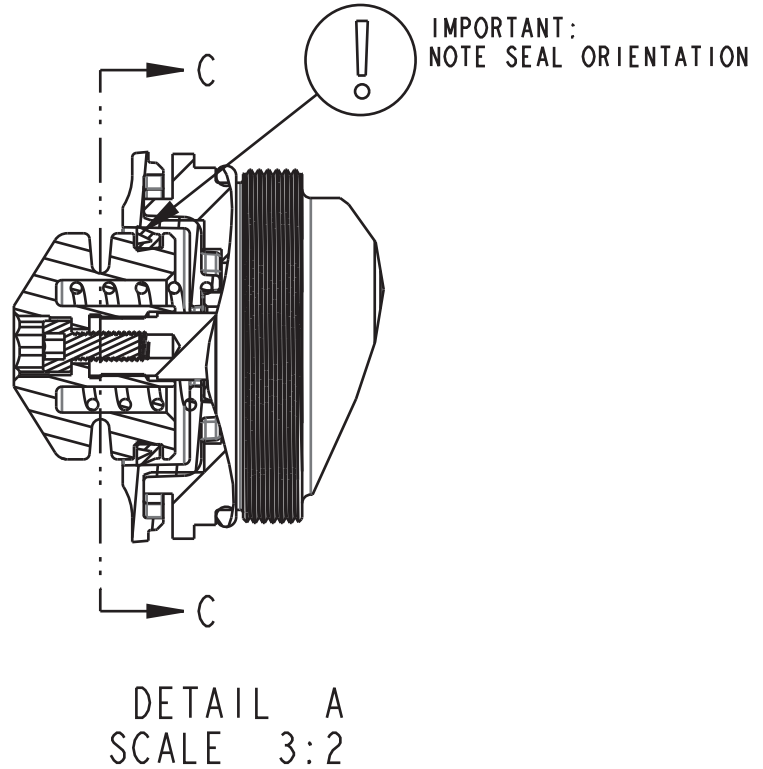
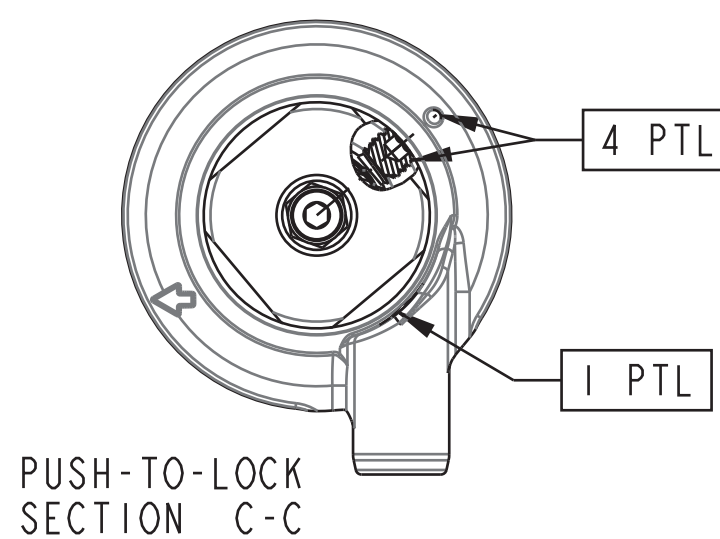
3

2

1



SECTION A-A
SCALE 1:2



TORQUE: PUSH-TO-LOCK & PUSH-TO-UNLOCK: NEEDLE TO 1.4 ± .15 IN-LB BEFORE INSTALLING TOPCAP INTERFACE PARTS (SAME TORQUE FOR CARTRIDGE DYNO)

TORQUE: 220±5 IN.LB.

REFERENCE ONLY (FOR INSTALLATION INTO FORK)

TORQUE: 6±1 IN.LB.

GREASE: THIN LAYER BLUE MARINE GREASE ID AND OD

210-24-489
Housing, Remote, Hubless, 2020 Grip PTL, Plastic

820-05-611-KIT
2020 Grip Push-Lock Remote, Topcap Interface Parts

039-00-521
Spring: Torsion, Remote, 2020 Grip PTL, LH Wound

036-01-044
Seals: U-Cup, Shore 70A, 2013 CTD-ADJ, Remote Fit-CTD and Remote O/C-CTD

019-01-140
Fastener: Custom (Metric): Set Screw [M4 x .7mm x 3mm] SST, Patchlock

210-24-484
Cable Pulley Remote, 2020 GRIP

019-01-148
Fastener Standard (Metric): Screw [M2.5X8mm] Socket Head Cap, SS

PROPRIETARY - THIS DOCUMENT CONTAINS CONFIDENTIAL, PROPRIETARY INFORMATION THAT IS FOX PROPERTY. DO NOT DISCLOSE TO OR DUPLICATE FOR OTHERS EXCEPT AS AUTHORIZED BY FOX.

FOX FOX Factory, Inc. Ph 831-768-1100
130 Hangar Way, Watsonville, CA 95076 USA Fax 831-768-9312

TITLE
2020 36 180 MAX Grip PTL Remote Cartridge Assemblies Complete

SIZE DWG. NO.
C

PLOT SCALE ~1:1 SHEET 1 OF 1

4

3

2

ProE ASSEM