

REFERENCE ONLY
(FOR INSTALLATION
INTO FORK)

TORQUE:
80±5 IN-LBS

210-03-120
Knob, Rebound, 2011 36_40

LOCTITE:
BLUE 242
ONE DROP

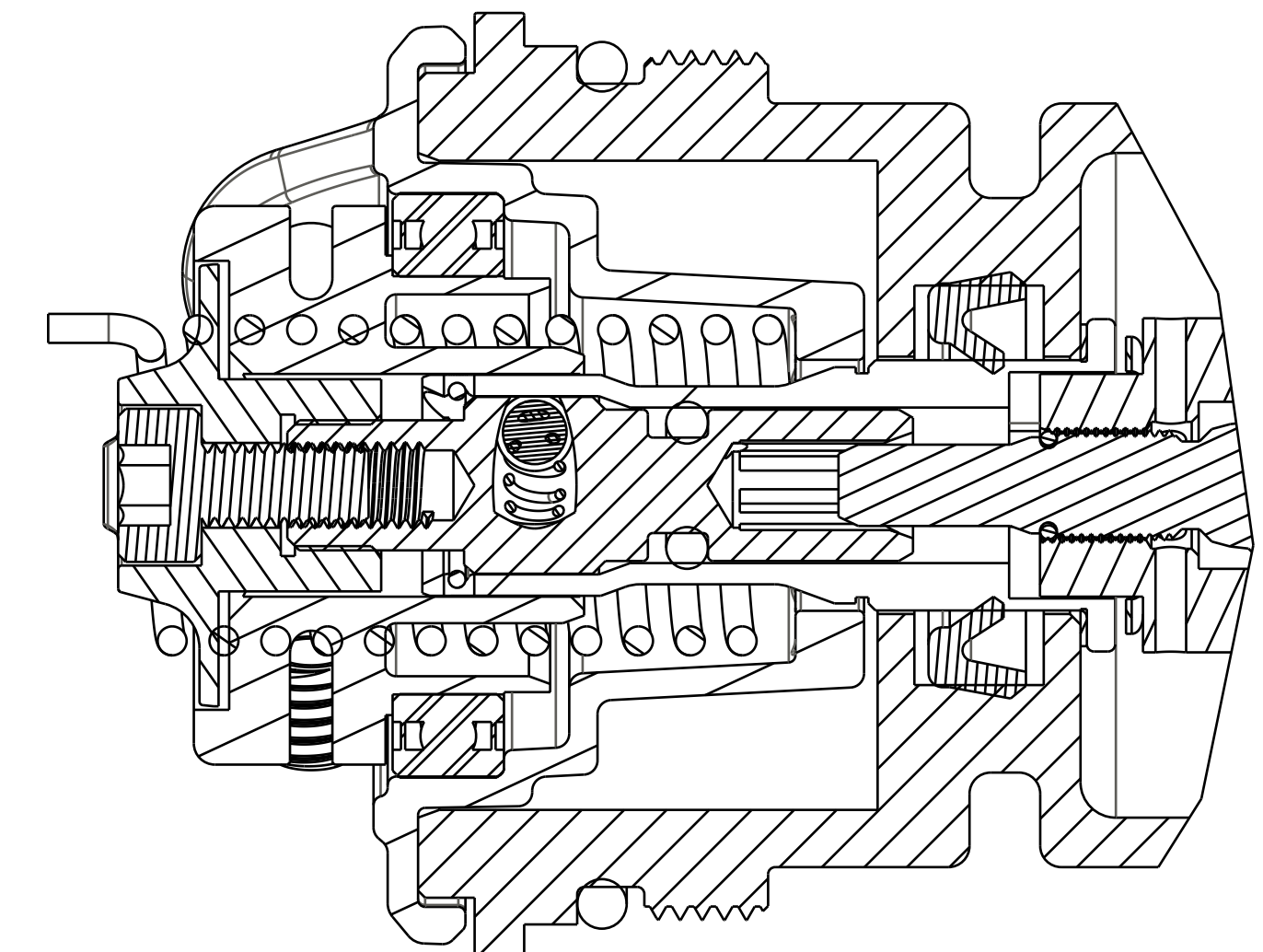
018-01-004-A
Fastener, Standard: Screw [#8-32 X 0.250 TLG]

TORQUE:
5.0±1.0 IN. LB.

241-00-022
Fastener, Custom: Nut, Bottom, 011

241-01-011
Fastener, Custom: Crush Washer, Plastic, 13mm

820-05-377-KIT
2016 FIT4 Bottom Stud Interface Parts 36 and 40



DETAIL A
SCALE 4:1

TOPCAP INTERFACE PARTS:
820-05-455-KIT: 2018 FIT4 TopCap Interface Parts F-S Remote, U-Cup, Push-Lock
820-05-456-KIT: 2018 FIT4 TopCap Interface Parts F-S Remote, U-Cup, Push-Lock

REMOTE HOUSINGS:
234-44-075: Housing, 2018, FIT Remote, Push-Lock
234-44-074: Housing, 2018, FIT Remote, Push-Lock

TORQUE:
220±5 IN. LB.

REFERENCE ONLY
(FOR INSTALLATION
INTO FORK)

GREASE:
THIN LAYER OF
BLUE MARINE GREASE

TORSION SPRINGS:
039-00-422: Spring: Torsion, Push-Lock 2018, FIT4 Remote, .0022 lb-in/deg, LH Wound, RSH
039-00-421: Spring: Torsion, Push-Unlock 2018, FIT4 Remote, .002 lb-in/deg

003-00-113
Bearing, Roller, 14mm OD x 7mm ID x 3.5mm TLG

019-01-088
Set Screw [M4x4mm], SST, Cup Point, Patchlock

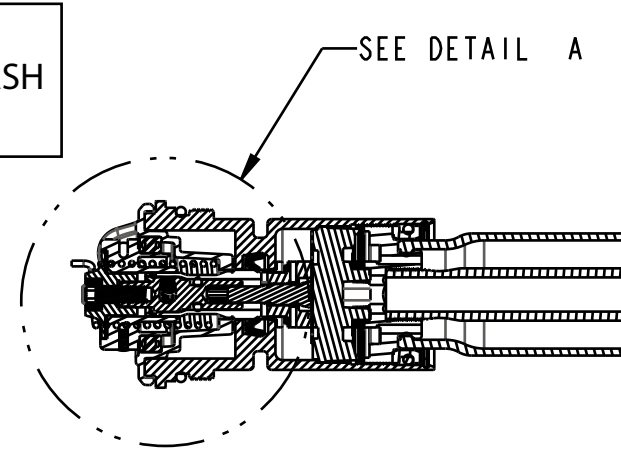
210-24-235
Cable Pulley, Remote, LSC, FIT4, Bearing, Thru Broached

210-22-946
Remote Compression Adjust Knob, F-S, FIT4

019-01-095
Fastener, Standard (Metric): Screw [M3 X 6mm] SHCS, Patchlock

TORQUE:
11±3 IN. LB.

IMPORTANT:
DO NOT ALLOW PULLEY
TO ROTATE WHILE TORQUING



SECTION A-A

PROPRIETARY
THIS DOCUMENT CONTAINS CONFIDENTIAL, PROPRIETARY INFORMATION
THAT IS FOR PROPERTY. DO NOT DISCLOSE TO OR DUPLICATE
FOR OTHERS EXCEPT AS AUTHORIZED BY FOX.

FOX Factory, Inc.
130 Hangar Way, Watsonville, CA 95076 USA
Ph 831-768-1100 Fax 831-768-9312

TITLE
**2020 36 FIT4 F-S Remote
Cartridge Assemblies Complete**

SIZE DWG. NO.
D

PLOT SCALE 1.00:1

SHEET 1 OF 1