

REFERENCE ONLY
(FOR INSTALLATION
INTO FORK)

TORQUE:
80±5 IN-LBS

210-03-120
Knob, Rebound, 2011 36_40

LOCTITE:
BLUE 242
ONE DROP

018-01-004-A
Fastener, Standard: Screw [#8-32 X 0.250 TLG]

TORQUE:
5.0±1.0 IN. LB.

241-00-022
Fastener, Custom: Nut, Bottom, 011

241-01-011
Fastener, Custom: Crush Washer, Plastic, 13mm

820-05-377-KIT
2016 FIT4 Bottom Stud Interface Parts 36 and 40

REMOTE TOPCAP INTERFACE PARTS:
820-05-456-KIT: 2018 FIT4 TopCap Interface Parts F-S Remote, U-Cup, Push-Lock
820-05-455-KIT: 2018 FIT4 TopCap Interface Parts F-S Remote, U-Cup, Push-Unlock

REMOTE HOUSINGS:
234-44-075: Housing, 2018, FIT Remote, Push-Lock
234-44-074: Housing, 2018, FIT Remote, Push-Unlock

REFERENCE ONLY
(FOR INSTALLATION
INTO FORK)

TORQUE:
220±5 IN. LB.

GREASE:
THIN LAYER OF
BLUE MARINE GREASE

TORSION SPRINGS:
039-00-422: Spring: Torsion, Push-Lock 2018, FIT4 Remote, .0022 lb-in/deg, LH Wound, RSH
039-00-421: Spring: Torsion, Push-Unlock 2018, FIT4 Remote, .002 lb-in/deg

003-00-113
Bearing, Roller, 14mm OD x 7mm ID x 3.5mm TLG

019-01-088
Set Screw [M4x4mm], SST, Cup Point, Patchlock

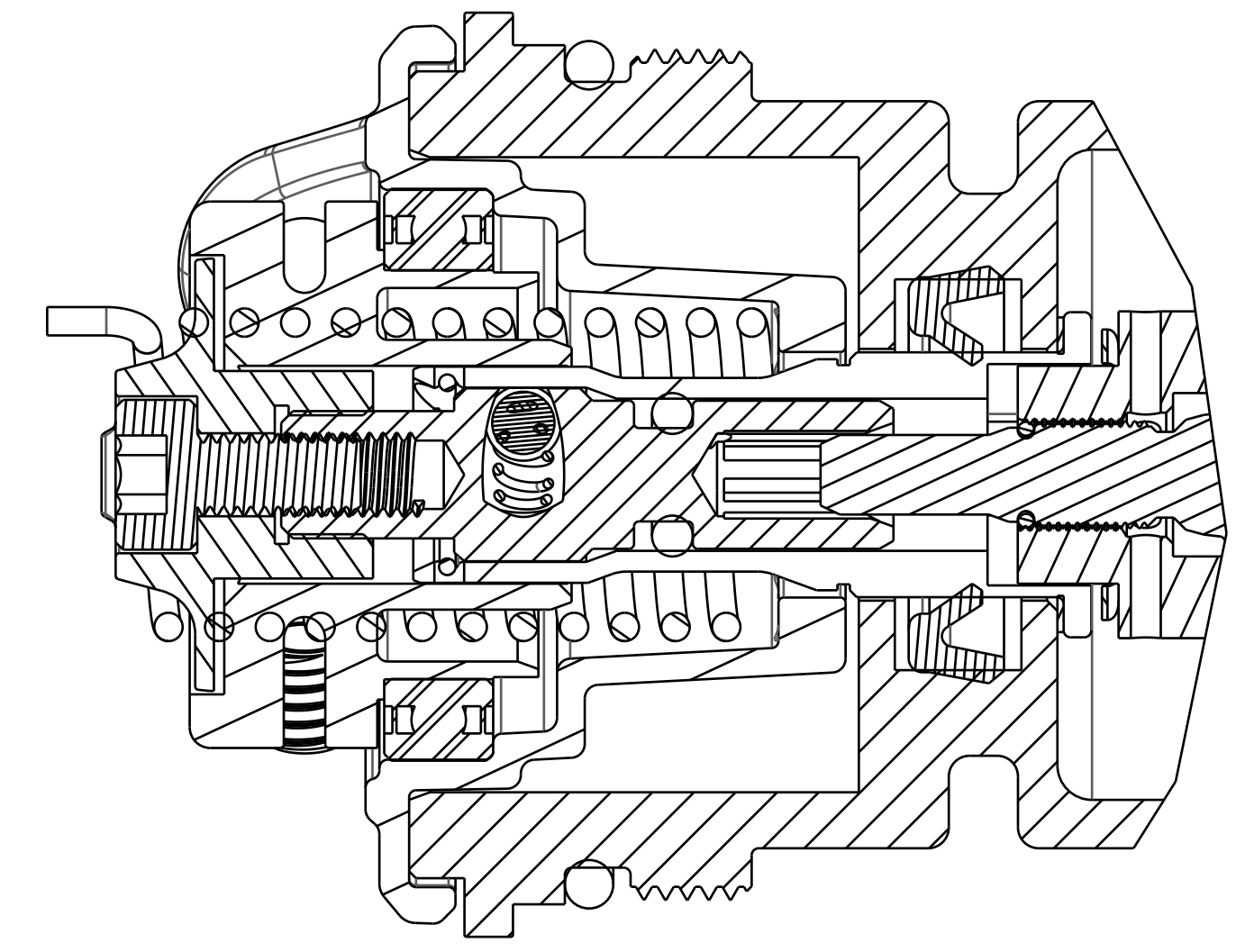
210-24-235
Cable Pulley, Remote, LSC, FIT4, Bearing, Thru Broached

210-22-946
Remote Compression Adjust Knob, F-S, FIT4

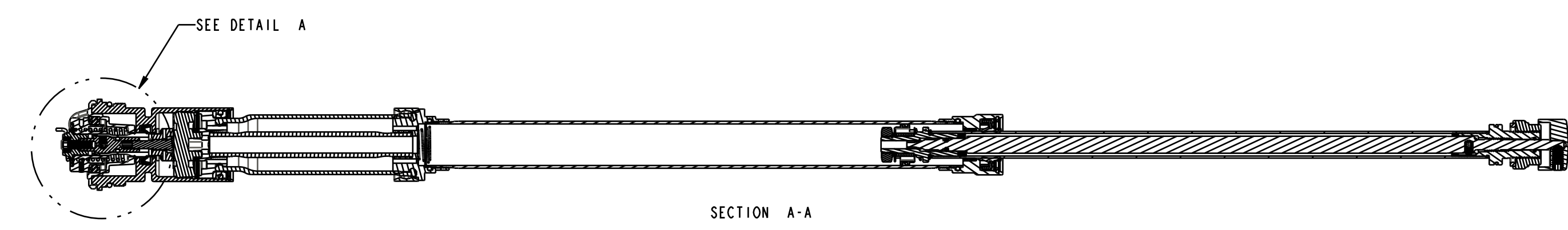
019-01-095
Fastener, Standard (Metric): Screw [M3 X 6mm] SHCS, Patchlock

TORQUE:
11±3 IN. LB.

IMPORTANT:
DO NOT ALLOW PULLEY
TO ROTATE WHILE TORQUING



DETAIL A
SCALE 4:1



PROPRIETARY
THIS DOCUMENT CONTAINS CONFIDENTIAL, PROPRIETARY INFORMATION
THAT IS FOR PROPERTY. DO NOT DISCLOSE TO OR DUPLICATE
FOR OTHERS EXCEPT AS AUTHORIZED BY FOX.

FOX Factory, Inc. Ph 831-768-1100
130 Hangar Way, Watsonville, CA 95076 USA Fax 831-768-9312

TITLE
**2020 36 E-Bike+ FIT4 F-S Remote
Cartridge Assemblies Complete**

SIZE DWG. NO.
D

PLOT SCALE 1.00:1

SHEET 1 OF 1