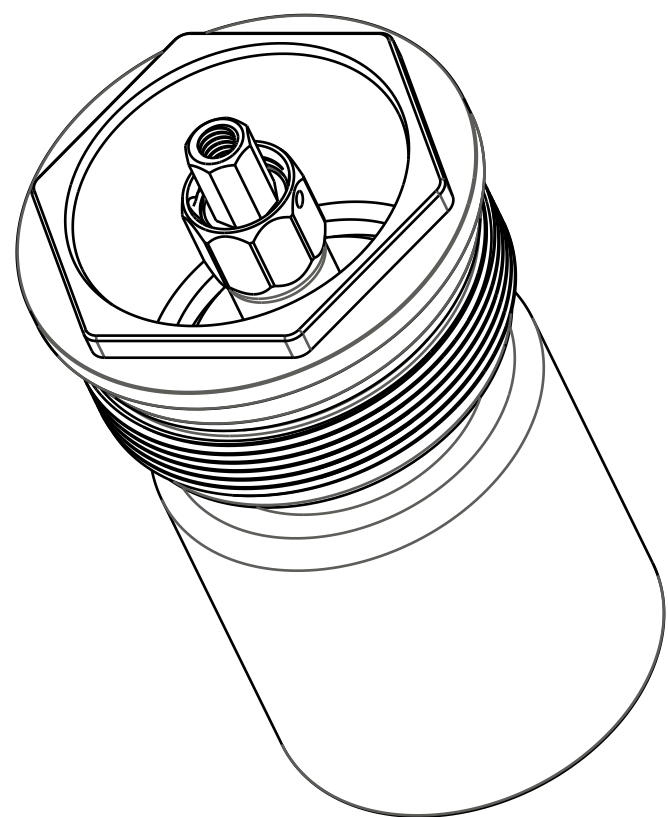


4

3

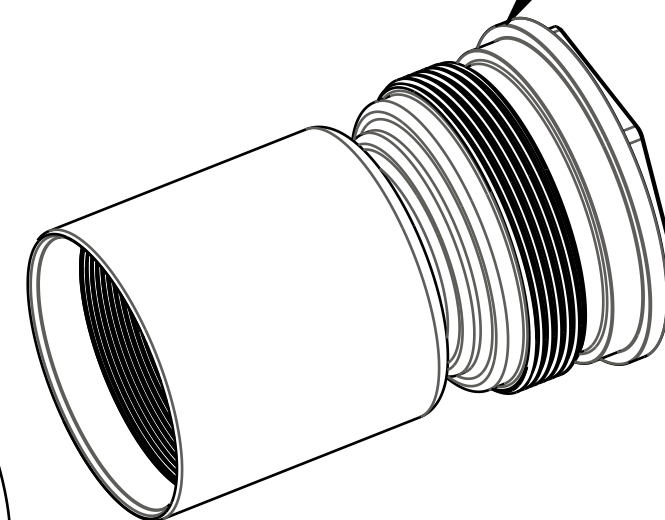
2

1



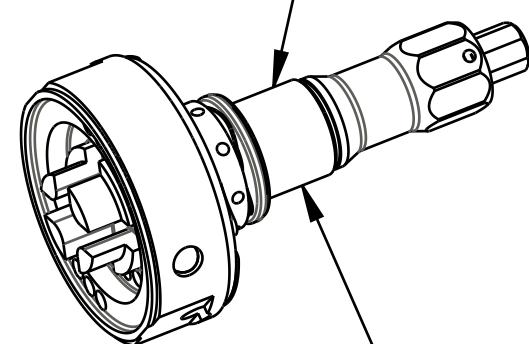
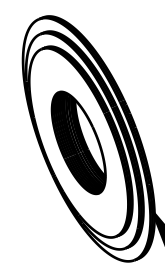
Body, Topcap, 34, 2019 FIT4 Lightweight, U-Cup

GREASE:
THIN LAYER
OF SLICK HONEY



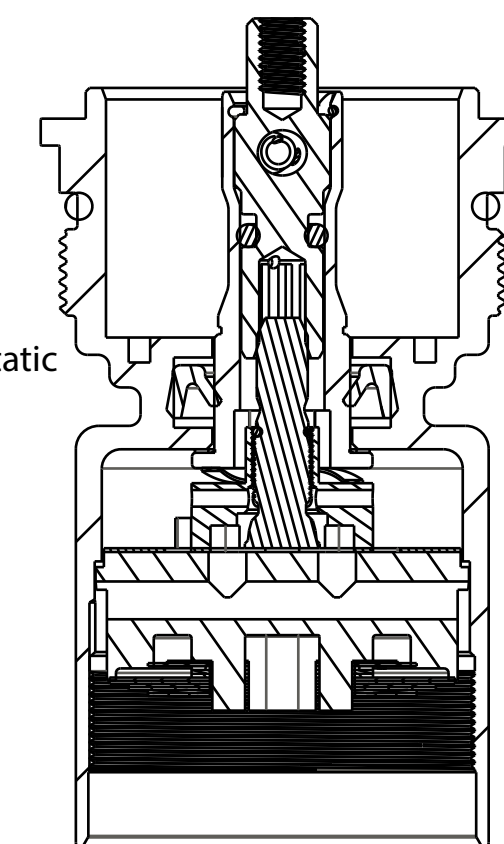
029-03-024-A
Seals: O-Ring [(-024) .070 C.S. X 1.114 ID] Standard, N-70, Static

036-01-093
Seals: U-cup, Low Friction, 9mm Shaft



820-03-613-KIT
2020 FIT4 Compression Valving Assy, 8mm Shaft

TOPCAP PARTS:
820-03-542-KIT: 2018 FIT4 Lightweight F-S Top Cap Parts, Remote, U-Cup, Push-Unlock
820-03-539-KIT: 2018 FIT4 Lightweight F-S Top Cap Parts, Remote, U-Cup, Push-Lock



FOX FOX Factory, Inc. Ph 831-768-1100
130 Hangar Way, Watsonville, CA 95076 USA Fax 831-768-9312

TITLE
**2020 34 SC FIT4 Topcap
Assemblies, Remote U-Cup**

SIZE DWG. NO.

C

PLOT SCALE | .50:1

SHEET 1 OF 1

- PROPRIETARY -
THIS DOCUMENT CONTAINS CONFIDENTIAL, PROPRIETARY INFORMATION
THAT IS FOX PROPERTY. DO NOT DISCLOSE TO OR DUPLICATE
FOR OTHERS EXCEPT AS AUTHORIZED BY FOX.

4

3

2

Pr oE ASSEM