

4

3

2

1

D

D

C

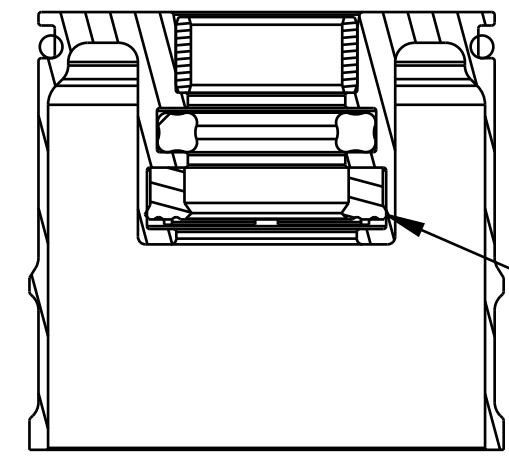
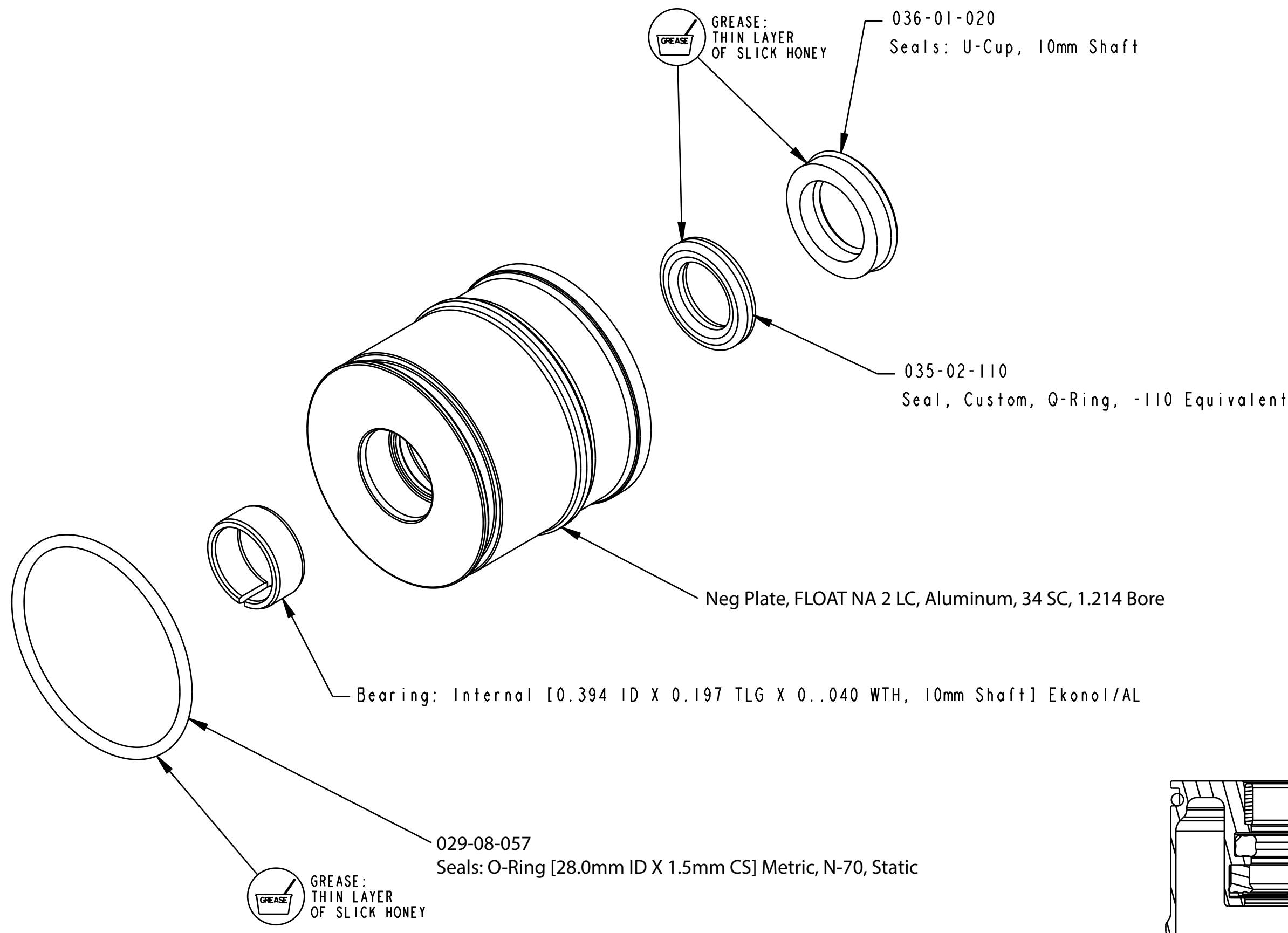
C

B

B

A

A



SECTION A-A

- PROPRIETARY -  
 THIS DOCUMENT CONTAINS CONFIDENTIAL, PROPRIETARY INFORMATION  
 THAT IS FOX PROPERTY. DO NOT DISCLOSE TO OR DUPLICATE  
 FOR OTHERS EXCEPT AS AUTHORIZED BY FOX.

|                                      |  |   |                  |
|--------------------------------------|--|---|------------------|
| <b>FOX</b>                           |  | <b>FOX Factory, Inc.</b>                  | Ph 831-768-1100  |
|                                      |  | 130 Hangar Way, Watsonville, CA 95076 USA | Fax 831-768-9312 |
| TITLE                                |  |   |                  |
| Neg Plate Subassembly, 2019 FLOAT    |  |   |                  |
| LC NA 2, 34 SC, 1.214 Bore, Aluminum |  |   |                  |
| SIZE                                 |  | DWG. NO.                                  |                  |
| C                                    |  | 820-02-540-KIT                            |                  |
| PLOT SCALE 2.00:1                    |  | SHEET 1 OF 1                              |                  |

4

3

2

1