

4

3

2

1

D

D

C

C

B

B

A

A

045-00-160
Valve: Metric [17.35mm OD X 7mm ID X 0.15mm THK]

210-24-171
Damping Adj Part: Piston Stud, 6mm

* PISTON ORIENTATION IS CRITICAL
SMALL PORTS FACE NUT

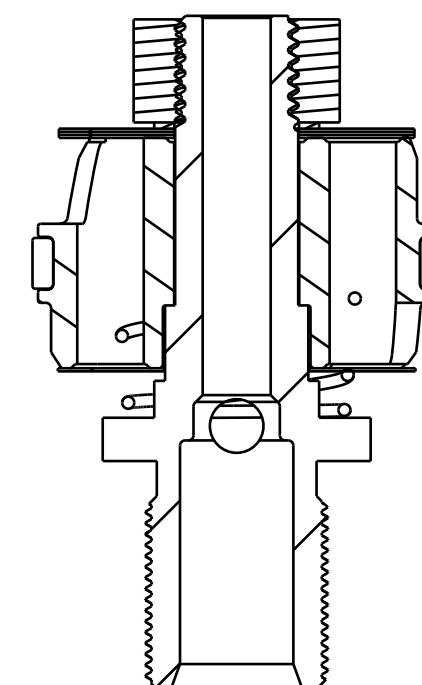
039-00-120
Spring: Rebound Check, 09 36_40

002-02-076
Bearing, External: Glide Ring, Molded, Z-Cut, 20.0 Bore

Piston, Damping, Rebound, PM, 18.5 Bore

820-03-456-KIT
2017 Grip Rebound Valving, Short Travel

019-00-018
Fastener, Standard (Metric), Nut, M6 x .75



SECTION A-A

- PROPRIETARY -
THIS DOCUMENT CONTAINS CONFIDENTIAL, PROPRIETARY INFORMATION
THAT IS FOX PROPERTY. DO NOT DISCLOSE TO OR DUPLICATE
FOR OTHERS EXCEPT AS AUTHORIZED BY FOX.

		FOX Factory, Inc.	Ph 831-768-1100 Fax 831-768-9312
TITLE		2017 Grip Rebound Piston Assy, Short Travel	
SIZE	DWG. NO.	820-03-458-KIT	
C		PLOT SCALE 2.00:1	SHEET 1 OF 1

4

3

2

1