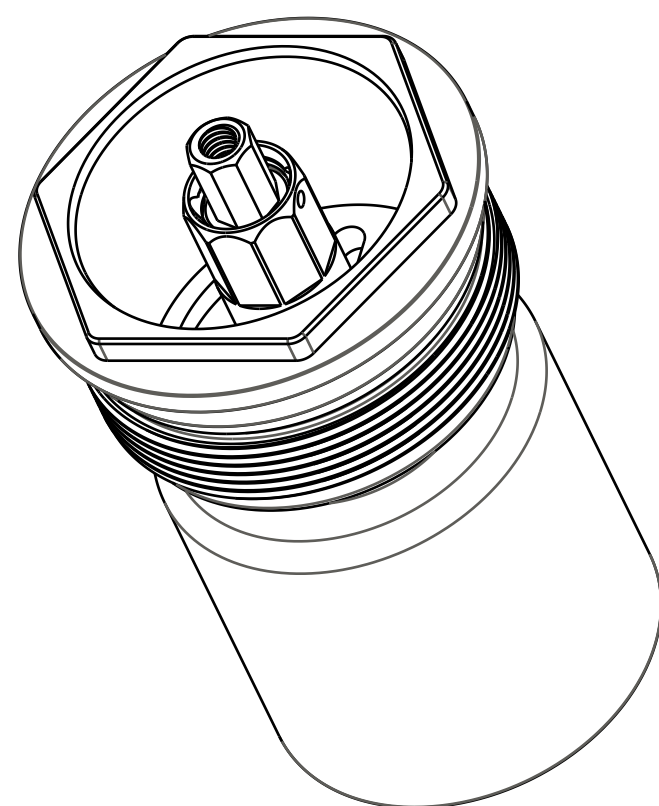


4

3

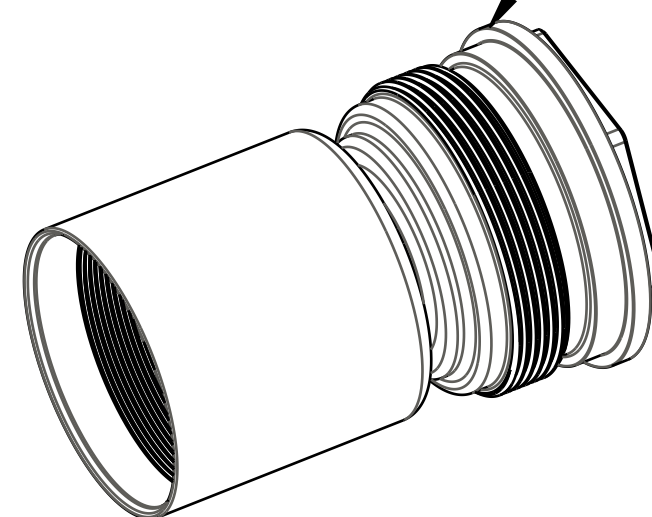
2

1



820-03-258-KIT
2017 FIT4 Lightweight Top Cap Parts

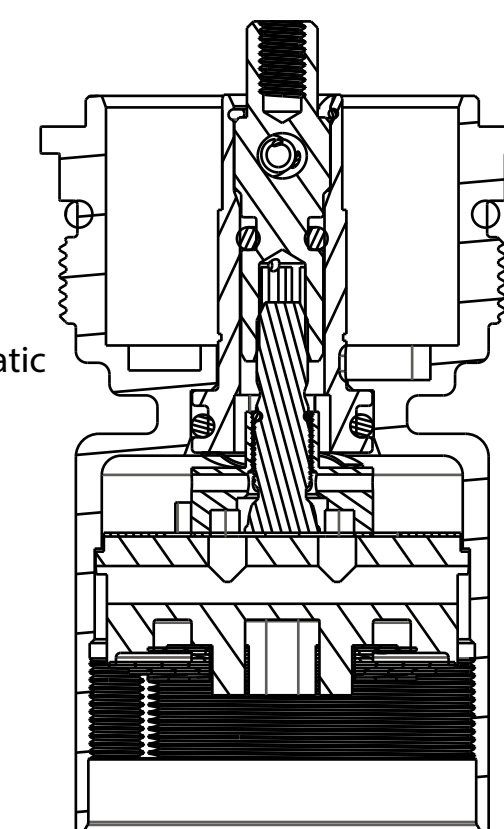
Body, Topcap, 34, 2019 FIT4 Lightweight



029-03-024-A
Seals: O-Ring [(-024) .070 C.S. X 1.114 ID] Standard, N-70, Static



820-03-613-KIT
2020 FIT4 Compression Valving Assy, 8mm Shaft



FOX **FOX Factory, Inc.** Ph 831-768-1100
130 Hangar Way, Watsonville, CA 95076 USA Fax 831-768-9312

TITLE
2020 34 SC FIT4
Topcap Assy, 3 Pos Adj

SIZE DWG. NO. **820-05-619-KIT**

PLOT SCALE | .50 : 1 |

SHEET 1 OF 1

PROPRIETARY
THIS DOCUMENT CONTAINS CONFIDENTIAL, PROPRIETARY INFORMATION
THAT IS FOX PROPERTY. DO NOT DISCLOSE TO OR DUPLICATE
FOR OTHERS EXCEPT AS AUTHORIZED BY FOX.

4

3

2

Pr oE ASSEM