

REFERENCE ONLY  
(FOR INSTALLATION  
INTO FORK)

TORQUE:  
80±5  
IN-LBS

210-03-120  
Knob, Rebound, 2011 36\_40

LOCTITE:  
BLUE 242  
ONE DROP

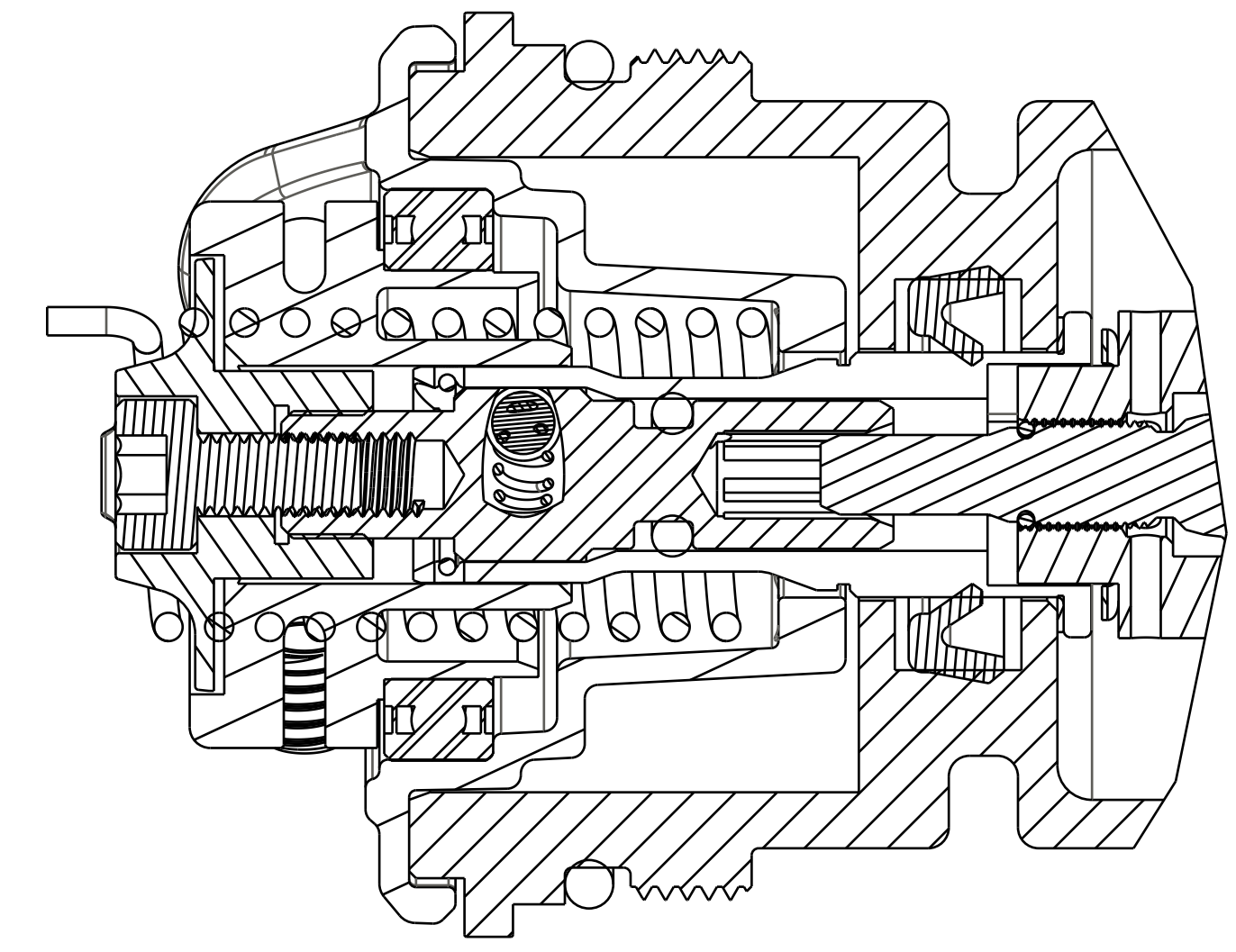
018-01-004-A  
Fastener, Standard: Screw [#8-32 X 0.250 TLG]

TORQUE:  
5.0±1.0 IN. LB.

241-00-011  
Fastener, Custom: Nut, Bottom, R

241-01-011  
Fastener, Custom: Crush Washer, Plastic, 13mm

820-05-335-KIT  
2016 FIT4 Bottom Stud Interface Parts 34



DETAIL A  
SCALE 4:1

TOPCAP INTERFACE PARTS:  
820-05-456-KIT: 2018 FIT4 TopCap Interface Parts F-S Remote, U-Cup, Push-Lock  
820-05-455-KIT: 2018 FIT4 TopCap Interface Parts F-S Remote, U-Cup, Push-Unlock

REMOTE HOUSINGS:  
234-44-075: Housing, 2018, FIT Remote, Push-Lock  
234-44-074: Housing, 2018, FIT Remote, Push-Unlock

REFERENCE ONLY  
(FOR INSTALLATION  
INTO FORK)

TORQUE:  
220±5 IN. LB.

GREASE:  
THIN LAYER OF  
BLUE MARINE GREASE

TORSION SPRINGS:  
039-00-422: Spring: Torsion, Push-Lock 2018, FIT4 Remote, .0022 lb-in/deg, LH Wound, RSH  
039-00-421: Spring: Torsion, Push-Unlock 2018, FIT4 Remote, .002 lb-in/deg

003-00-113  
Bearing, Roller, 14mm OD x 7mm ID x 3.5mm TLG

019-01-088  
Set Screw [M4x4mm], SST, Cup Point, Patchlock

210-24-235  
Cable Pulley, Remote, LSC, FIT4, Bearing, Thru Broached

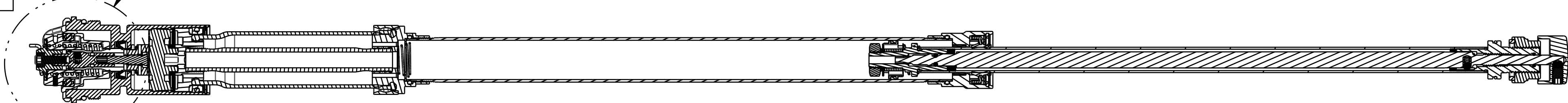
210-22-946  
Remote Compression Adjust Knob, F-S, FIT4

019-01-095  
Fastener, Standard (Metric): Screw [M3 X 6mm] SHCS, Patchlock

TORQUE:  
11±3 IN. LB.

IMPORTANT:  
DO NOT ALLOW PULLEY  
TO ROTATE WHILE TORQUING

SEE DETAIL A



SECTION A-A

PROPRIETARY  
THIS DOCUMENT CONTAINS CONFIDENTIAL, PROPRIETARY INFORMATION  
THAT IS FOR PROPERTY USE ONLY. DO NOT DISCLOSE TO OR DUPLICATE  
FOR OTHERS EXCEPT AS AUTHORIZED BY FOX.

**FOX Factory, Inc.**  
130 Hangar Way, Watsonville, CA 95076 USA  
Ph 831-768-1100  
Fax 831-768-9312

TITLE  
**2020 34 ALL Non-SC 160 MAX FIT4 F-S  
Remote 2 Pos Adj, Cart Assys Complete**

SIZE DWG. NO.  
D

PLOT SCALE 1.00:1

SHEET 1 OF 1