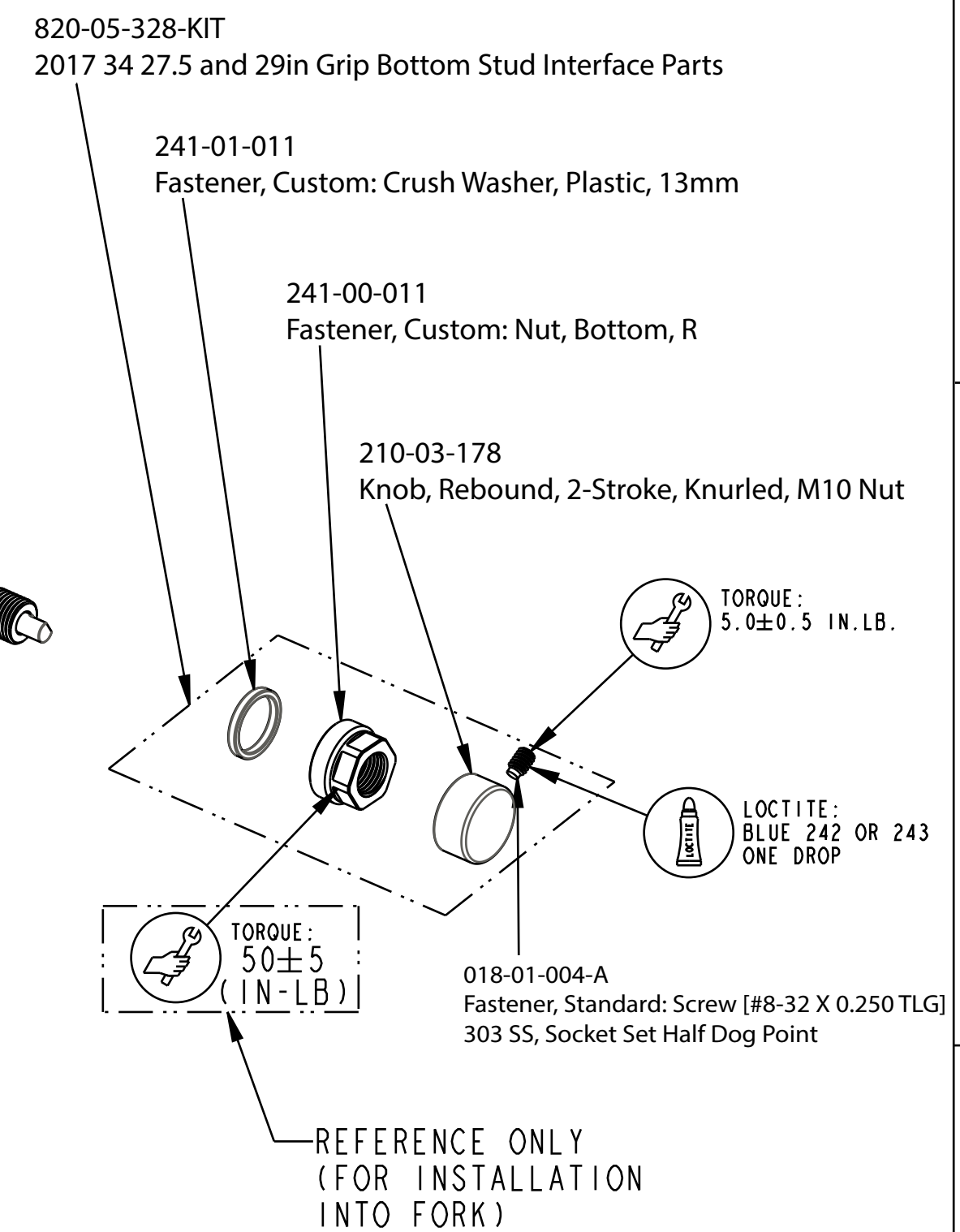
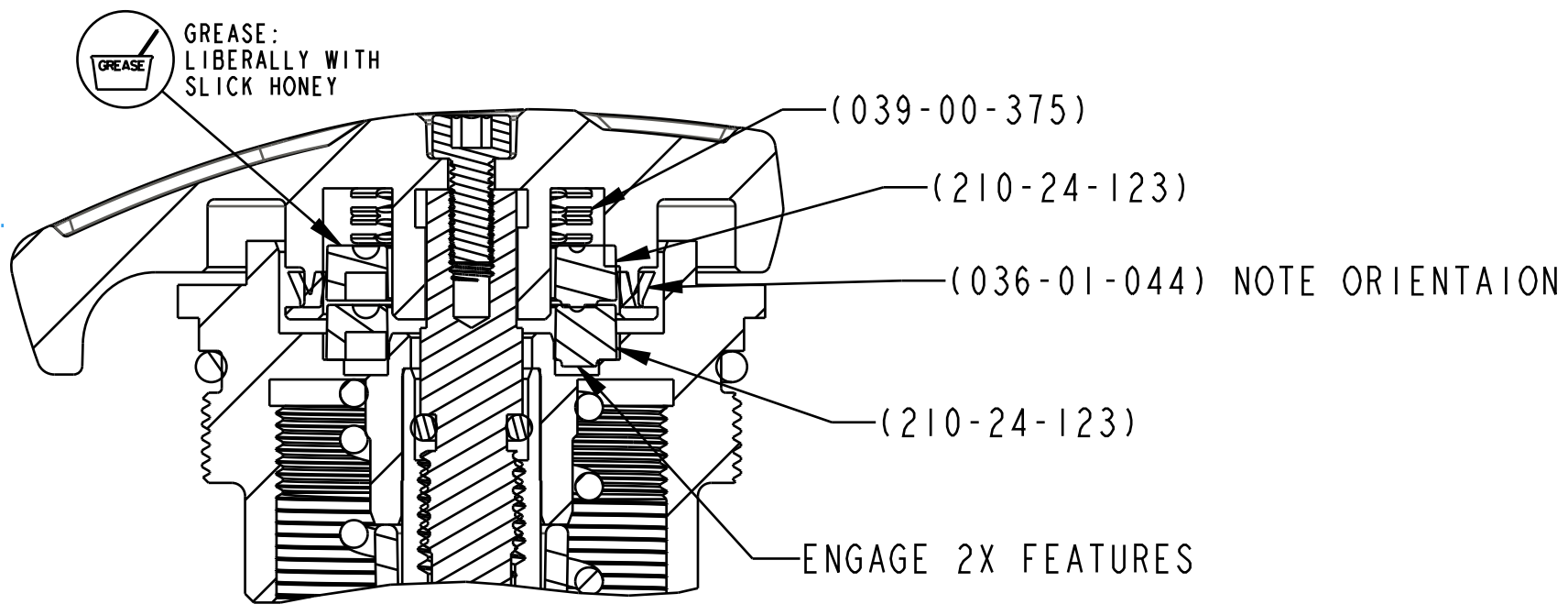
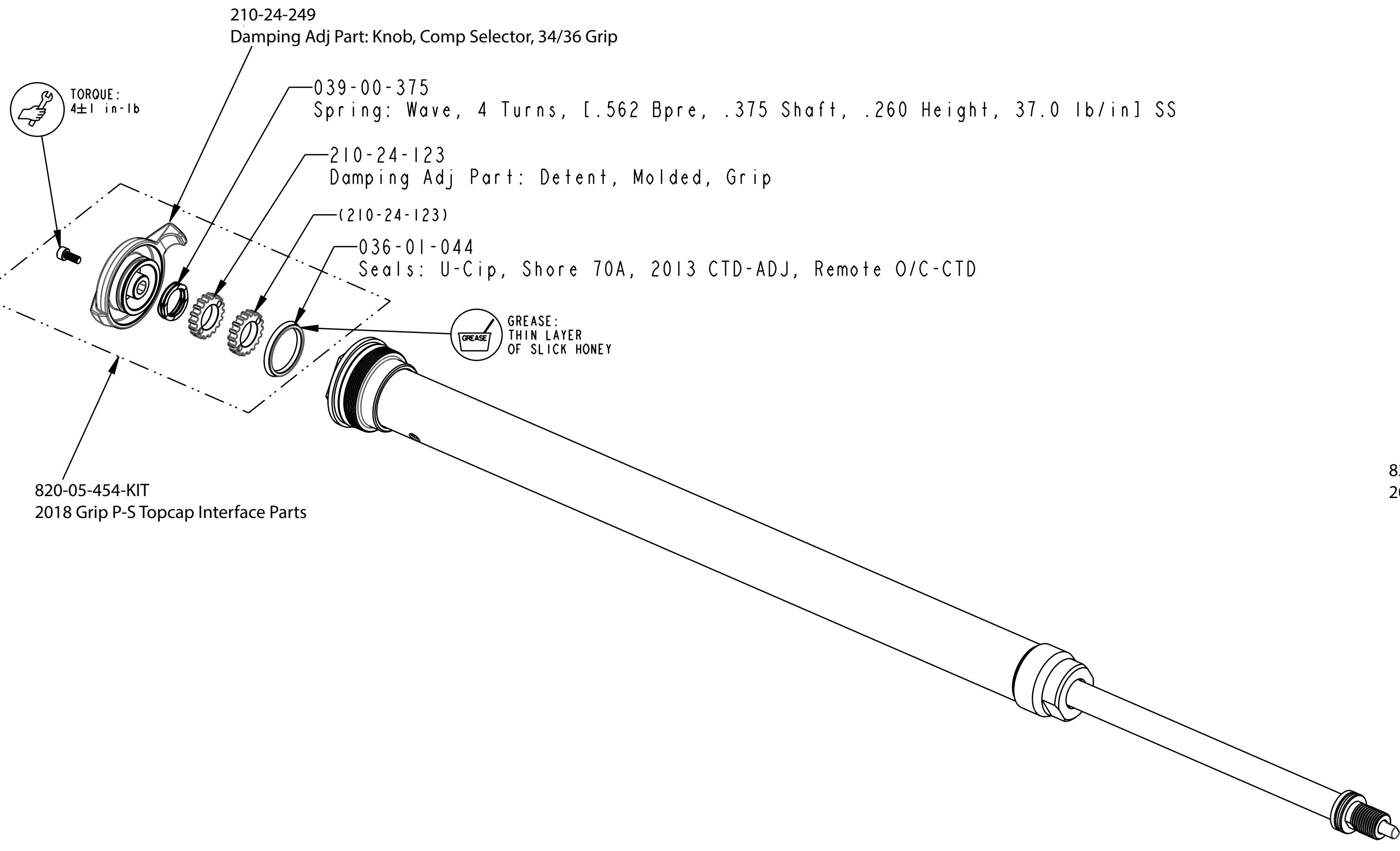


4

3

2

1



PROPRIETARY
THIS DOCUMENT CONTAINS CONFIDENTIAL, PROPRIETARY INFORMATION
THAT IS FOX PROPERTY. DO NOT DISCLOSE TO OR DUPLICATE
FOR OTHERS EXCEPT AS AUTHORIZED BY FOX.

FOX **FOX Factory, Inc.** Ph 831-768-1100
130 Hangar Way, Watsonville, CA 95076 USA Fax 831-768-9312

TITLE
**2019 34 27.5 & 29 130-160,
Grip Cart Assy Complete**

SIZE DWG. NO.
C 820-18-102-KIT

PLOT SCALE 0.75:1 SHEET 1 OF 2