

4

3

2

1



SEE DETAIL A

SECTION A-A  
SCALE 1:2

IMPORTANT:  
NOTE SEAL ORIENTATION

Fastener, Standard: Screw [#8-32 X 0.250 TLG]

TORQUE:  
150±7  
(IN-LB)

LOCTITE:  
BLUE 243, ONE DROP  
APPLY PER 605-14-175

TORQUE:  
5.0±0.5 IN.LB.

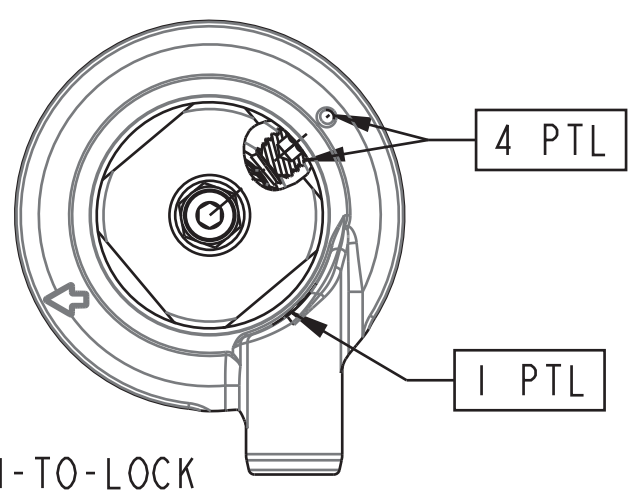
REFERENCE ONLY  
(FOR INSTALLATION  
INTO FORK)

210-03-178  
Knob, Rebound, 2-Stroke, Knurled, M10 Nut

241-00-011  
Fastener, Custom: Nut, Bottom, R

820-05-328-KIT  
2017 34 27.5 and 29in Grip Bottom Stud Interface Parts

241-01-011  
Fastener, Custom: Crush Washer, Plastic, 13mm

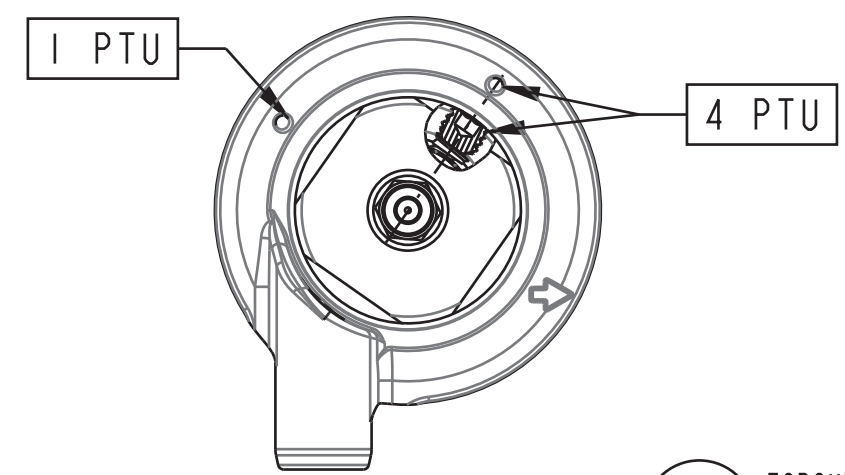


4 PTL

1 PTL

PUSH-TO-LOCK  
SECTION C-C

DETAIL A  
SCALE 3:2



1 PTU

4 PTU

PUSH-TO-UNLOCK  
SECTION C-C  
SCALE 3:2

TORQUE: PUSH-TO-LOCK & PUSH-TO-UNLOCK:  
NEEDLE TO 1.4 ± .15 IN-LB BEFORE  
INSTALLING TOPCAP INTERFACE PARTS  
(SAME TORQUE FOR CARTRIDGE DYNO)

REFERENCE ONLY  
(FOR INSTALLATION  
INTO FORK)

TORQUE:  
220±5 IN.LB.

210-24-489  
Housing, Remote, Hubless, 2020 Grip PTL, Plastic

820-05-611-KIT  
2020 Grip Push-Lock Remote, Topcap Interface Parts

039-00-521  
Spring: Torsion, Remote, 2020 Grip PTL, LH Wound

GREASE:  
THIN LAYER BLUE MARINE GREASE  
ID AND OD

036-01-044  
Seals: U-Cup, Shore 70A, 2013 CTD-ADJ, Remote Fit-CTD and Remote O/C-CTD

019-01-140  
Fastener: Custom (Metric): Set Screw [M4 x .7mm x 3mm] SST, Patchlock

210-24-484  
Cable Pulley Remote, 2020 GRIP

019-01-148  
Fastener Standard (Metric): Screw [M2.5X8mm] Socket Head Cap, SS

PROPRIETARY -  
THIS DOCUMENT CONTAINS CONFIDENTIAL, PROPRIETARY INFORMATION  
THAT IS FOX PROPERTY. DO NOT DISCLOSE TO OR DUPLICATE  
FOR OTHERS EXCEPT AS AUTHORIZED BY FOX.

**FOX** FOX Factory, Inc. Ph 831-768-1100  
130 Hangar Way, Watsonville, CA 95076 USA Fax 831-768-9312

TITLE  
2020 34 27.5 & 29 130-160, Grip  
Push-Lock Remote Cart Assy Complete

SIZE DWG. NO.  
C 820-18-269-KIT

PLOT SCALE ~1:1 SHEET 1 OF 1

4

3

2

1

ProE ASSEM