

4

3

2

1

D

D

C

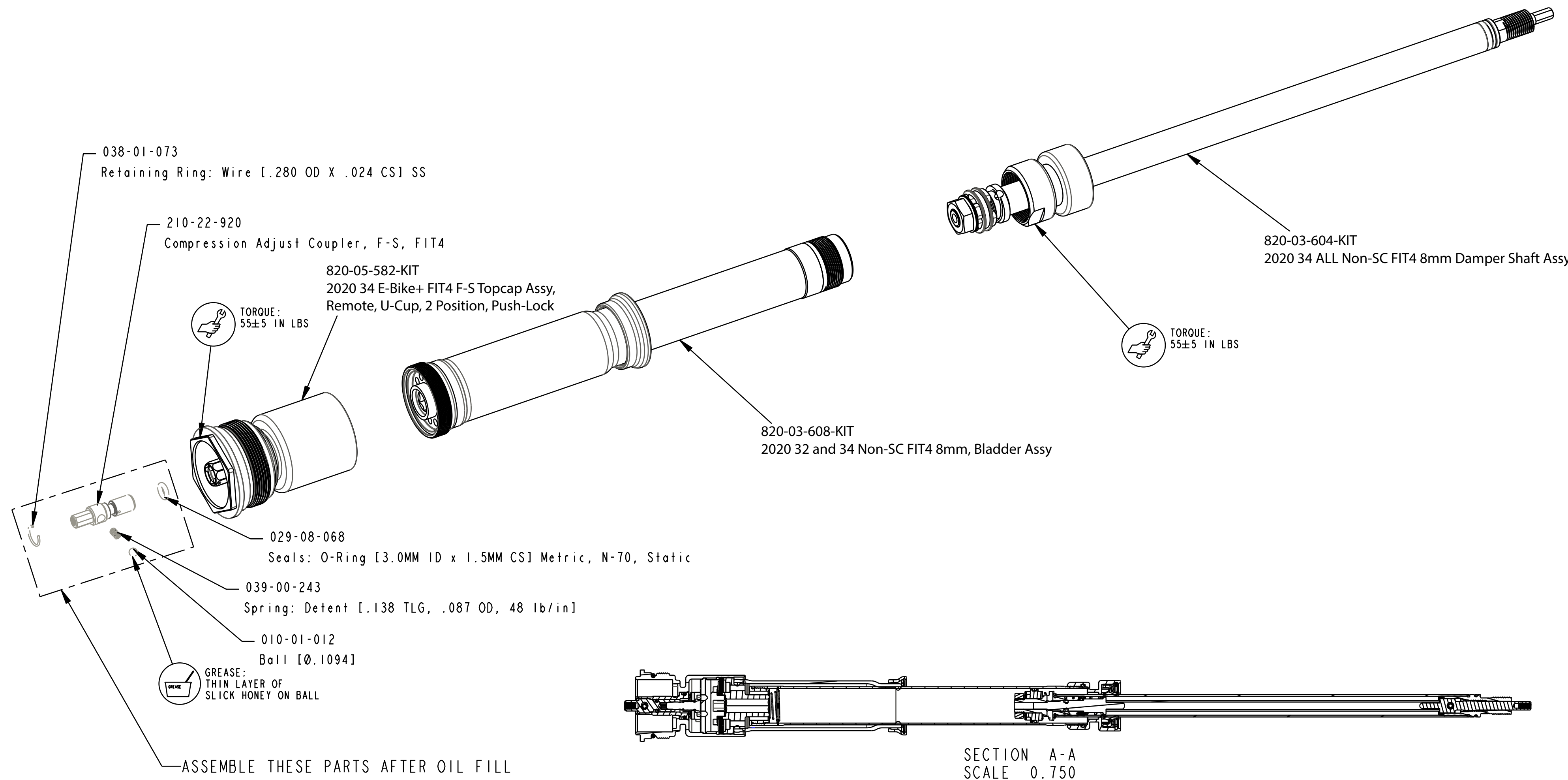
C

B

B

A

A



- PROPRIETARY -  
THIS DOCUMENT CONTAINS CONFIDENTIAL, PROPRIETARY INFORMATION  
THAT IS FOX PROPERTY. DO NOT DISCLOSE TO OR DUPLICATE  
FOR OTHERS EXCEPT AS AUTHORIZED BY FOX.

		<b>FOX Factory, Inc.</b>	Ph 831-768-1100
		130 Hangar Way, Watsonville, CA 95076 USA	Fax 831-768-9312
TITLE 2020 34 E-Bike+, 110-160, FIT4 F-S, Remote, 2 Pos Adj, Push-Lock Cart Assy			
SIZE	DWG. NO.		
<b>C</b>			
PLOT SCALE 1.0:1	SHEET 1 OF 1		

4

3

2

1