

4

3

2

1

D

D

C

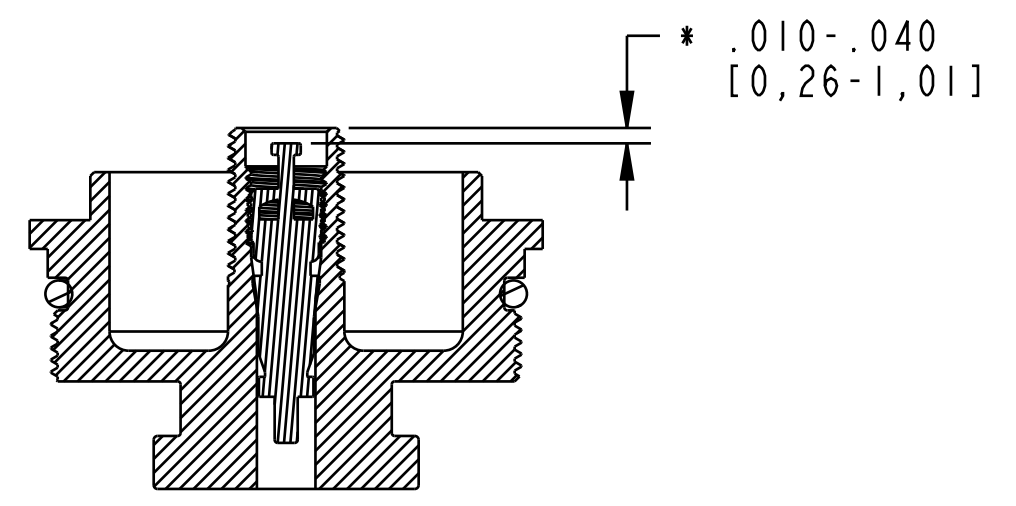
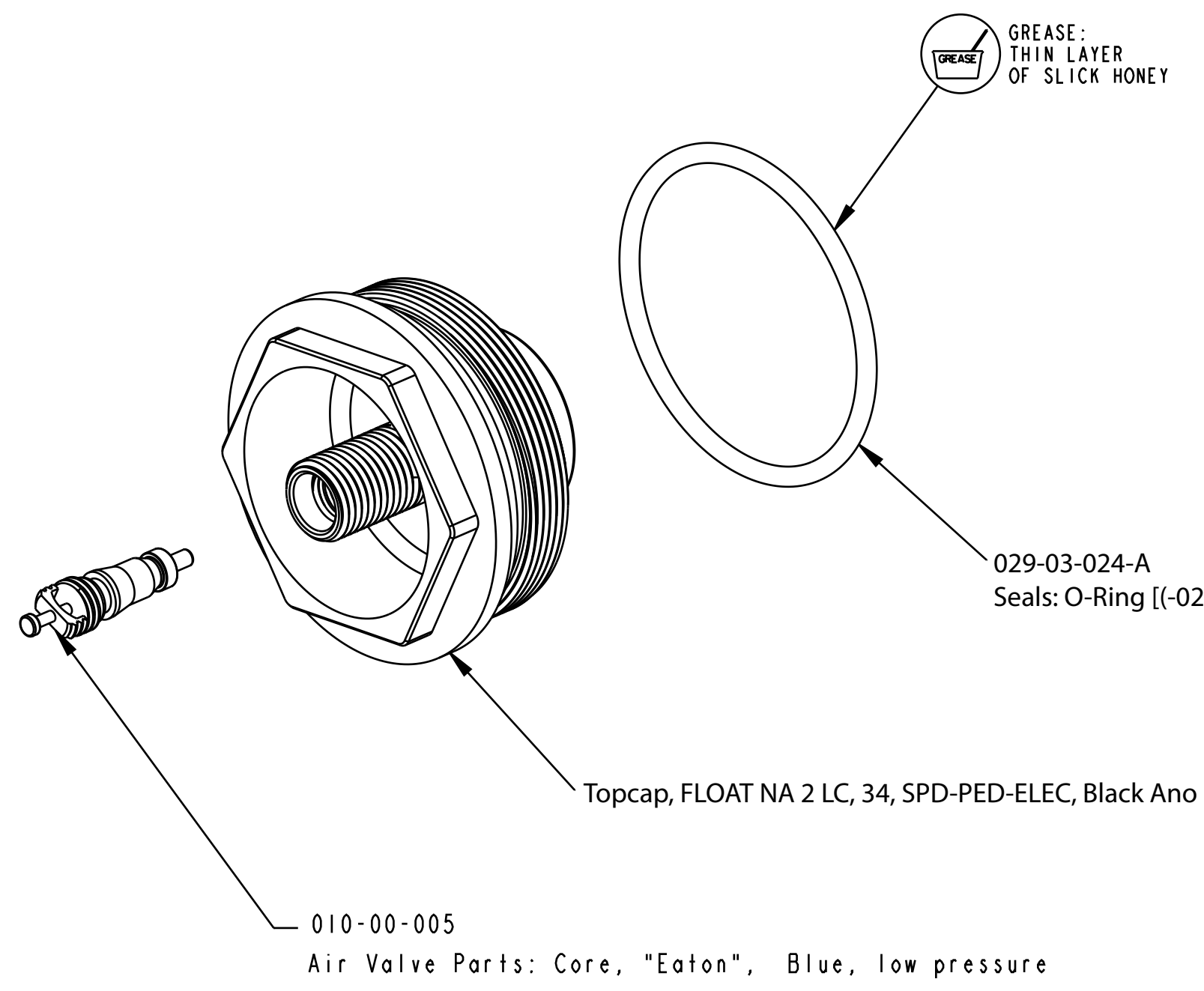
C

B

B

A

A



SECTION A-A

- PROPRIETARY -
THIS DOCUMENT CONTAINS CONFIDENTIAL, PROPRIETARY INFORMATION
THAT IS FOX PROPERTY. DO NOT DISCLOSE TO OR DUPLICATE
FOR OTHERS EXCEPT AS AUTHORIZED BY FOX.

FOX		FOX Factory, Inc.	Ph 831-768-1100
		130 Hangar Way, Watsonville, CA 95076 USA	Fax 831-768-9312
TITLE			
Topcap Assy, 2018 FLOAT LC NA2, 34, SPD-PED-ELEC, Black			
SIZE		DWG. NO.	
C		820-05-420-KIT	
PLOT SCALE 2.00:1		SHEET 1 OF 1	

4

3

2

1