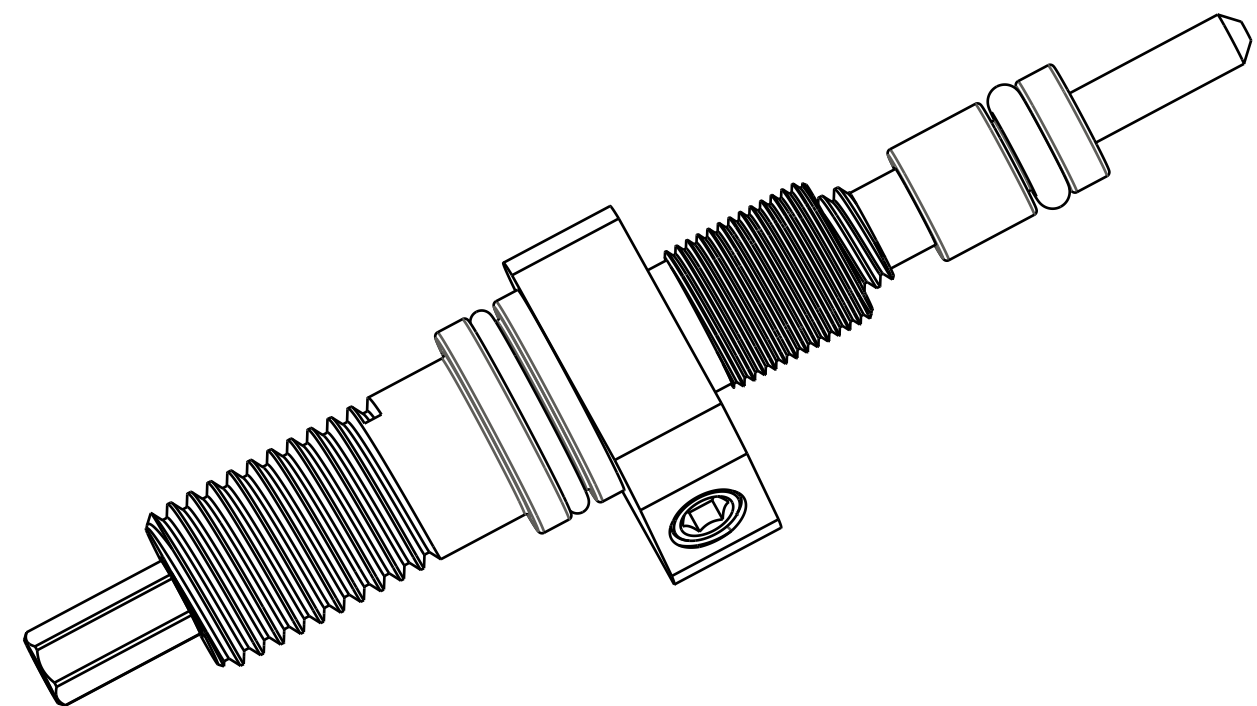


4

3

2

1



029-08-068
Seals: O-Ring [3.0MM ID x 1.5MM CS] Metric, N-70, Static

210-24-364
Rebound Adjuster, 2019 FIT4, 8mm, 7075-T6

GREASE:
THIN LAYER
OF SLICK HONEY

029-08-051
Seals: O-Ring [3.5MM ID x 1.0MM CS] Metric, N-70, Static

Body, Rebound Adjuster, 2019 FIT4, 8mm

GREASE:
THIN LAYER OF BLUE MARINE
GREASE ON FULL 360° OF THREADS

010-01-000
Ball [Ø 0.1250] Steel

039-00-029
Spring: [0.125 TLG X 0.125 OD X 50.00 lbs/in]

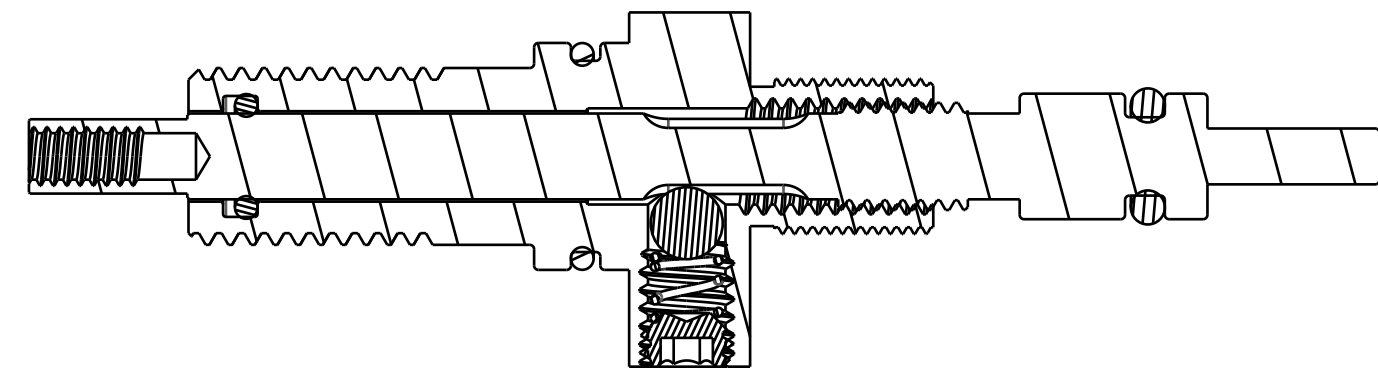
018-01-006
Screw, Set [#8-32 X .093 L] Cup Pt, Nylok

GREASE:
THIN LAYER OF BLUE
MARINE GREASE ON BALL

TIGHTEN UNTIL FLUSH

029-08-022
Seals: O-Ring [8.0MM ID x 1.0MM CS] Metric, N-70, Static

GREASE:
THIN LAYER
OF SLICK HONEY



SECTION A-A
SCALE 3.000

FOX FOX Factory, Inc. Ph 831-768-1100
130 Hangar Way, Watsonville, CA 95076 USA Fax 831-768-9312

TITLE
2019 34 SC FIT4 Rebound
Adjuster Assy, 8mm Shaft

SIZE DWG. NO. **820-03-562-KIT**

PLOT SCALE 3.00:1

SHEET 1 OF 1

PROPRIETARY
THIS DOCUMENT CONTAINS CONFIDENTIAL, PROPRIETARY INFORMATION
THAT IS FOX PROPERTY. DO NOT DISCLOSE TO OR DUPLICATE
FOR OTHERS EXCEPT AS AUTHORIZED BY FOX.

4

3

2

ProE ASSEM