

4

3

2

1

D

D

C

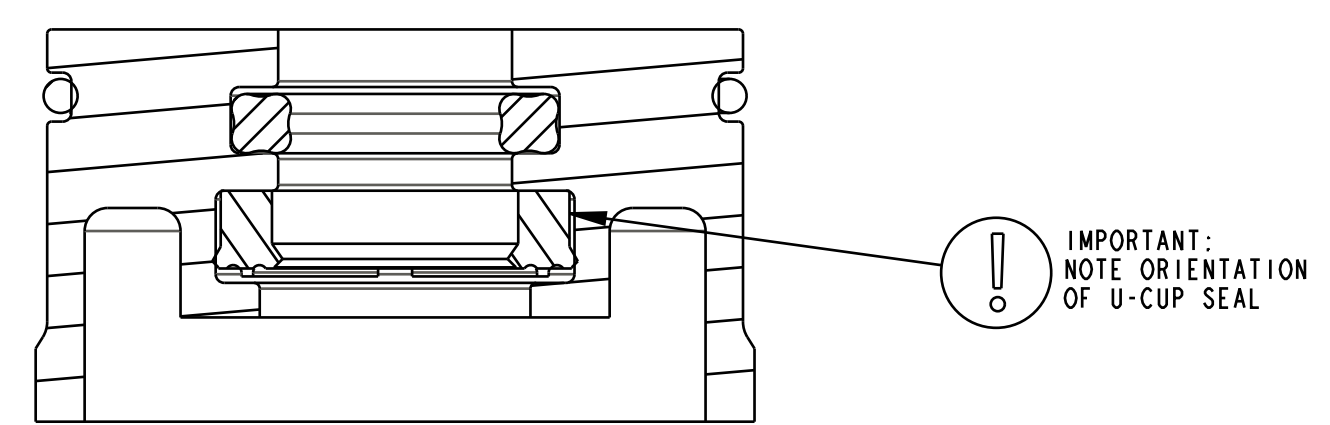
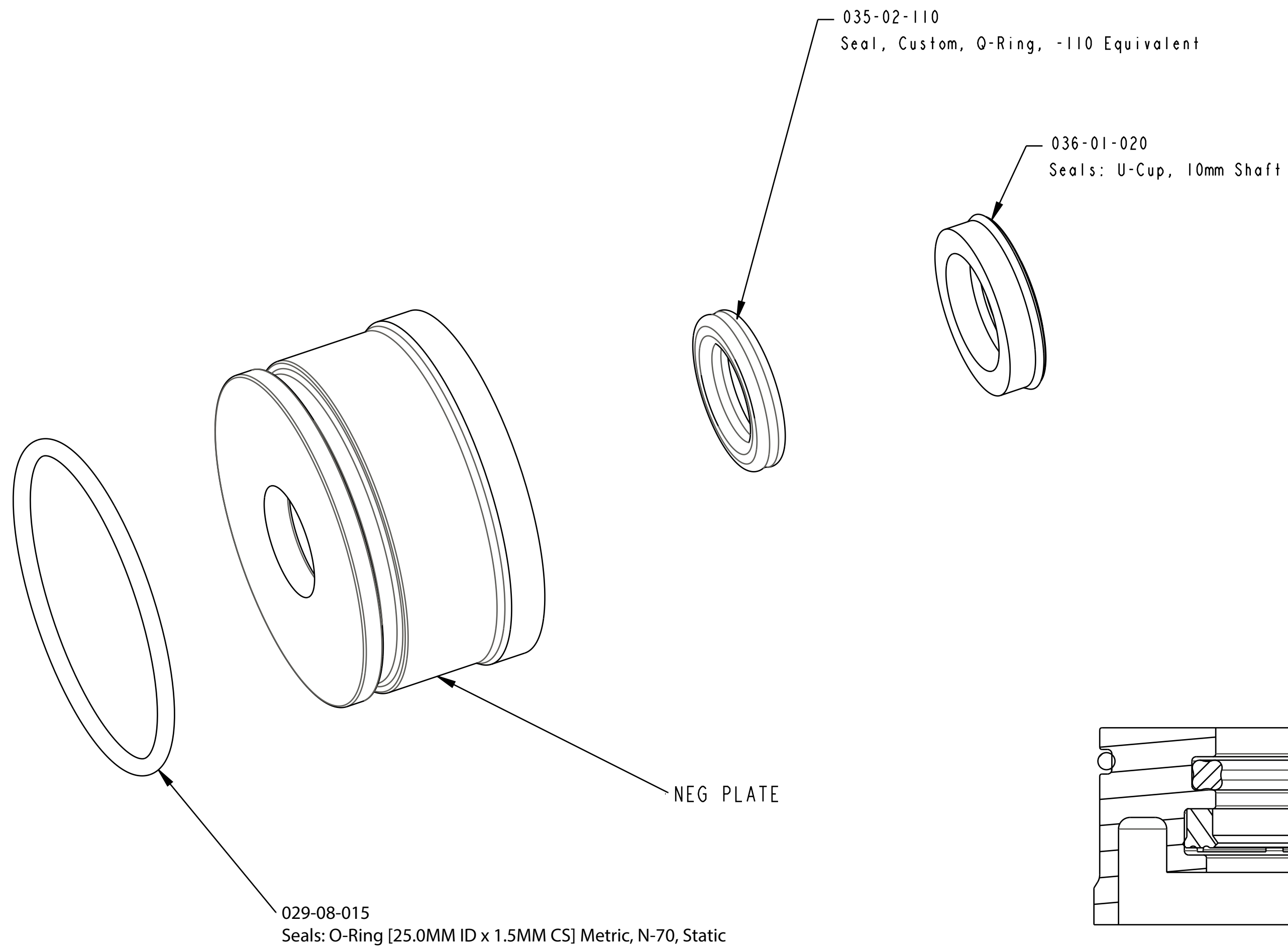
C

B

B

A

A



- PROPRIETARY -  
 THIS DOCUMENT CONTAINS CONFIDENTIAL, PROPRIETARY INFORMATION  
 THAT IS FOX PROPERTY. DO NOT DISCLOSE TO OR DUPLICATE  
 FOR OTHERS EXCEPT AS AUTHORIZED BY FOX.

		<b>FOX Factory, Inc.</b>		Ph 831-768-1100
TITLE		130 Hangar Way, Watsonville, CA 95076 USA		Fax 831-768-9312
		<b>2020 32 FLOAT NA2</b>		
		<b>Neg Plate Subassemblies</b>		
SIZE	DWG. NO.			
<b>C</b>				
PLOT SCALE 3.00:1				SHEET 1 OF 1