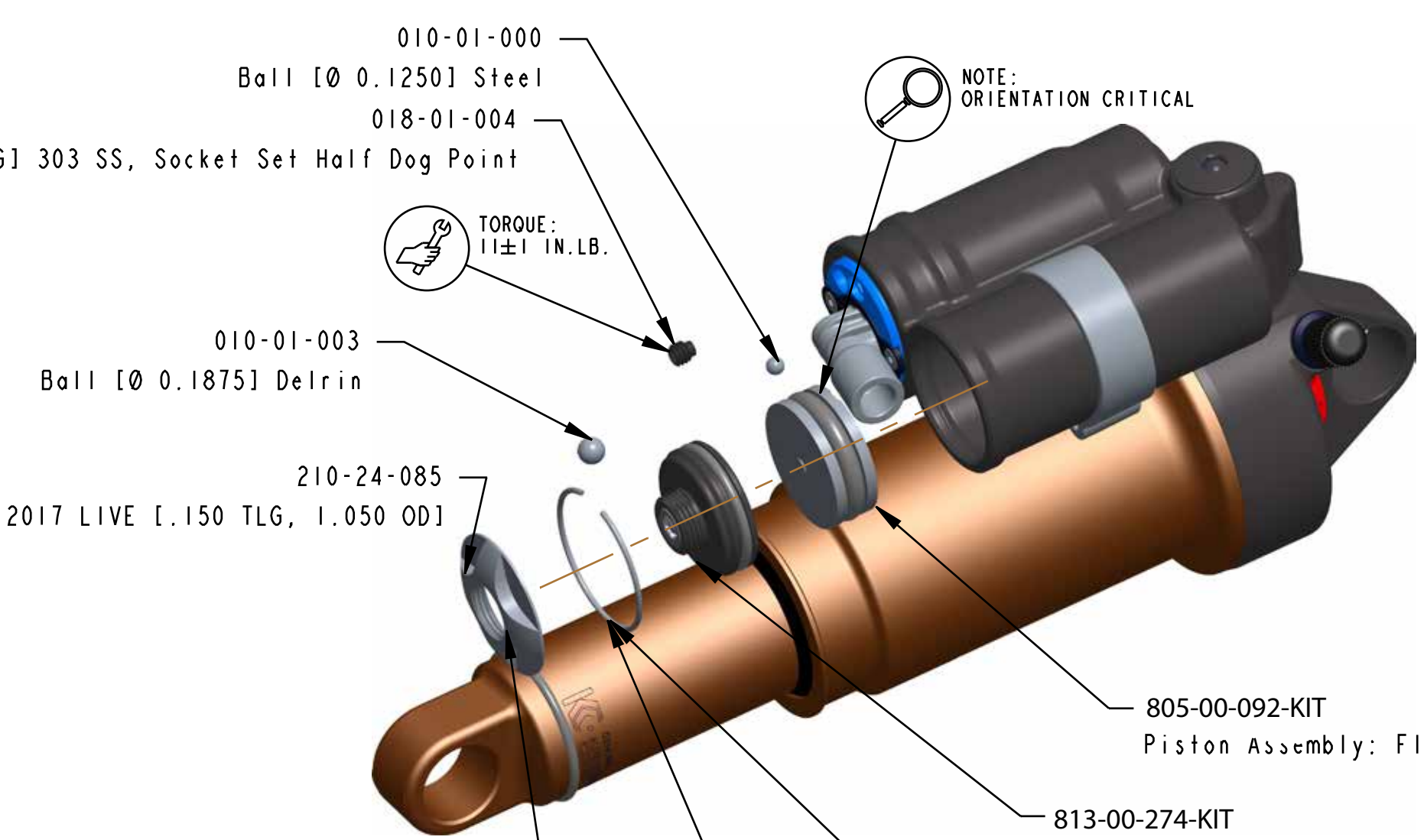
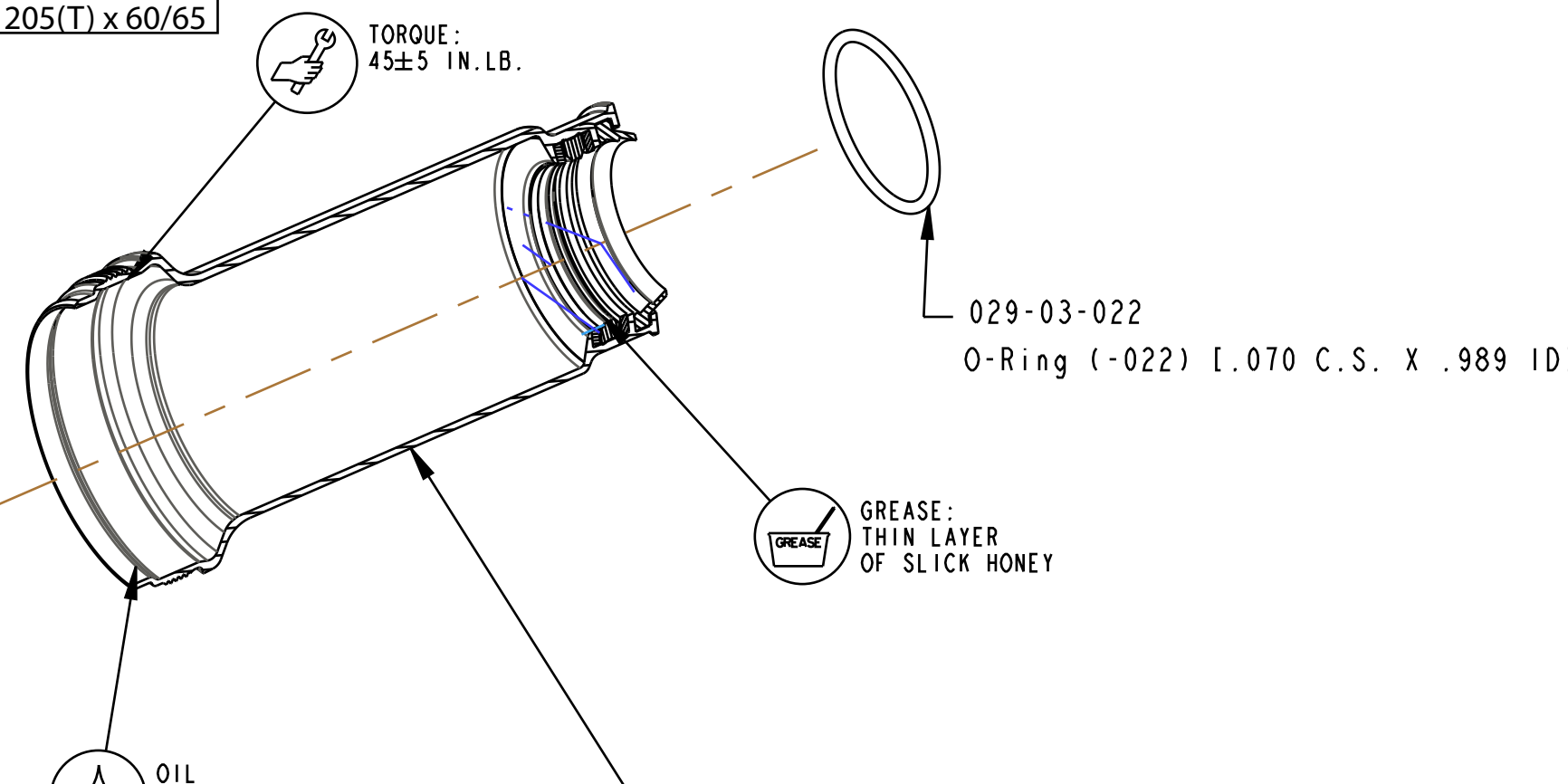


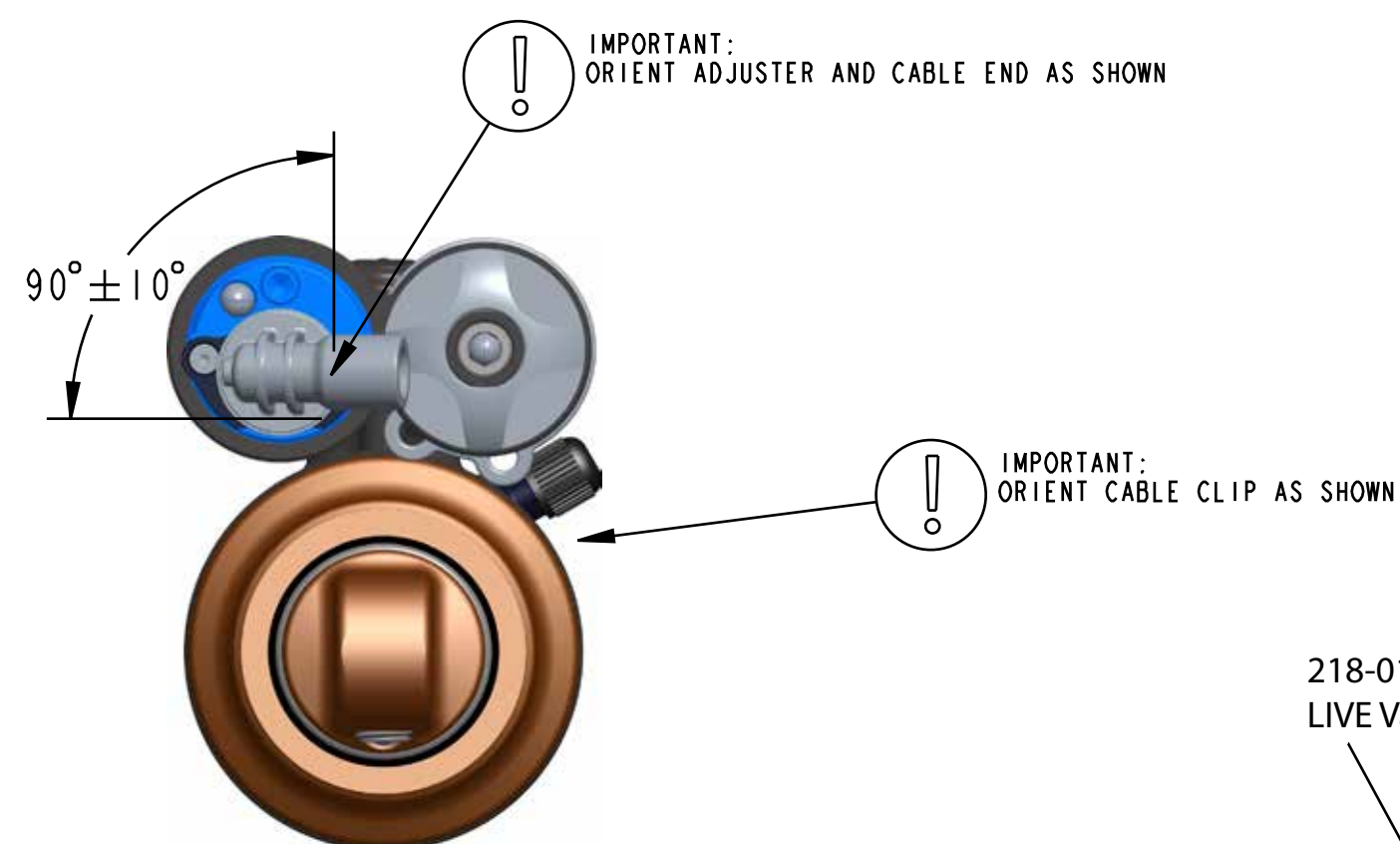
Fastener, Standard: Screw [#8-32 X 0.250 TLG] 303 SS, Socket Set Half Dog Point



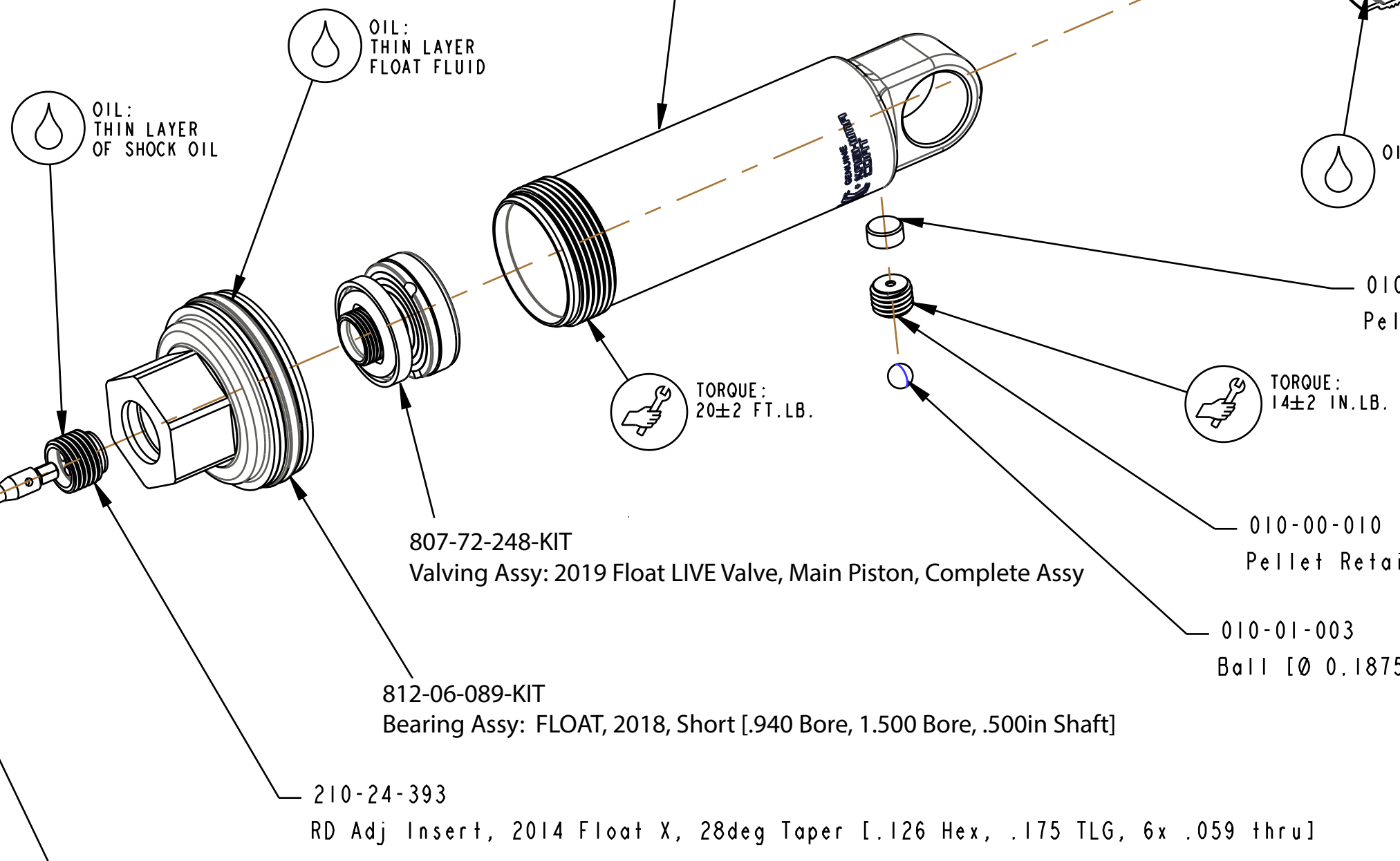
BODIES:
 207-50-031: Body: (T) Float [Ø 0.940 Bore, 1.060 OD, 3.959 TLG] Al 6061, Kashima, 165(T) x 40/45
 207-50-033: Body: (T) Float [Ø 0.940 Bore, 1.060 OD, 4.746 TLG] Al 6061, Kashima, 205(T) x 60/65



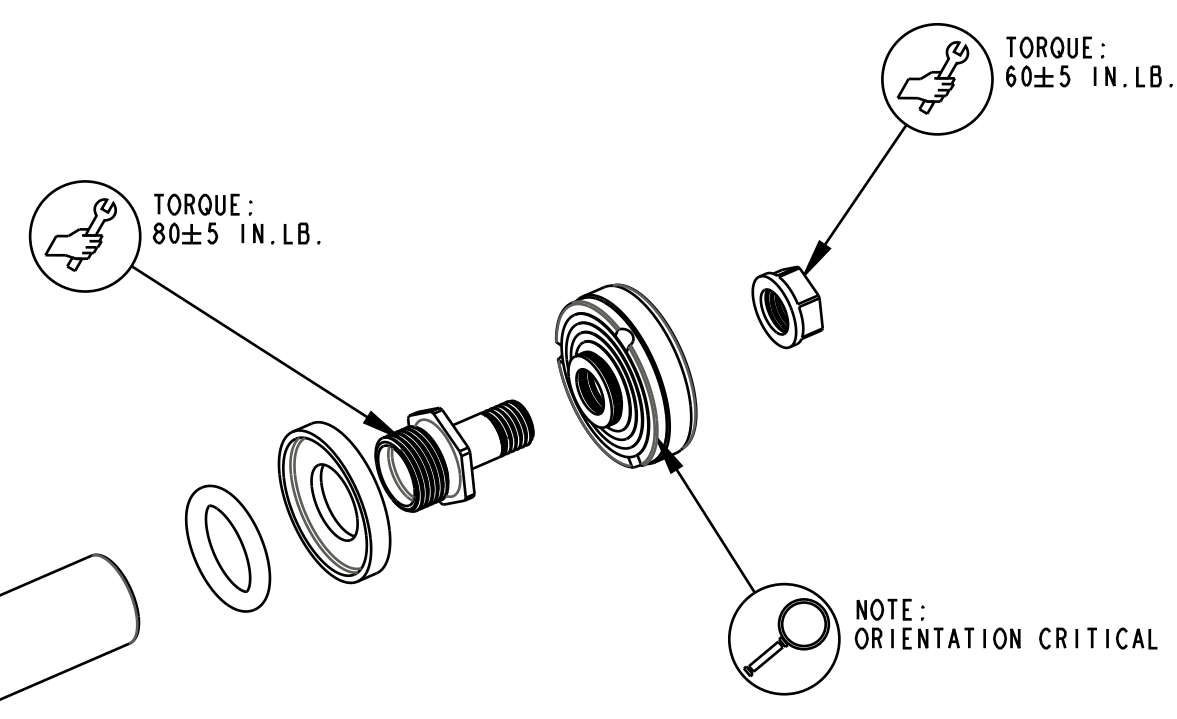
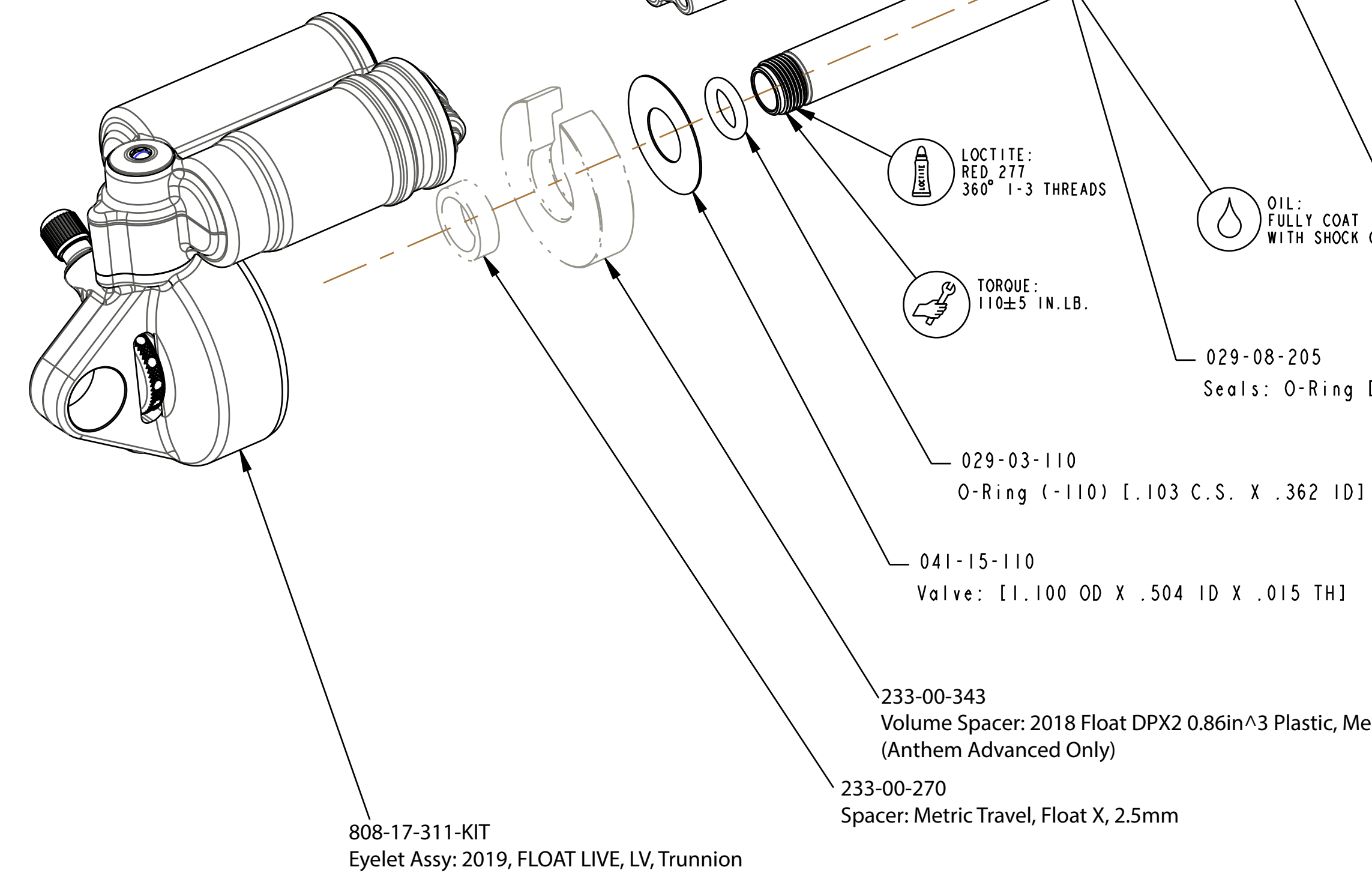
AIR SLEEVE ASSEMBLIES:
 806-29-590-KIT: Sleeve Assembly: 2018, 1.500 Bore, LV, EVOL, Kashima, 165 X 40/45
 806-29-592-KIT: Sleeve Assembly: 2018, 1.500 Bore, LV, EVOL, Kashima, 205 X 60/65



218-01-017 LIVE Valve MTB, Cable to Reservoir Clip
SHAFTS:
 230-22-009: Shaft: (T) [.390/.360 ID X .498 OD X 2.652 TLG] 190/165(T) X 45
 230-22-011: Shaft: (T) [.390/.360 ID X .498 OD X 3.439 TLG] 230/205(T) X 65



METERING RODS:
 210-90-010: Rebound Rod, (T) 2017 FLOAT X & LIVE, 3.310 TLG, 210 X 55 & 165(T) X 45
 210-90-012: Rebound Rod, (T) 2017 FLOAT X & LIVE, 4.098 TLG, 250 X 75 & 205(T) X 65



PROPRIETARY - THIS DOCUMENT CONTAINS CONFIDENTIAL, PROPRIETARY INFORMATION THAT IS FOR PROPERTY. DO NOT DISCLOSE TO OR DUPLICATE FOR OTHERS EXCEPT AS AUTHORIZED BY FOX.