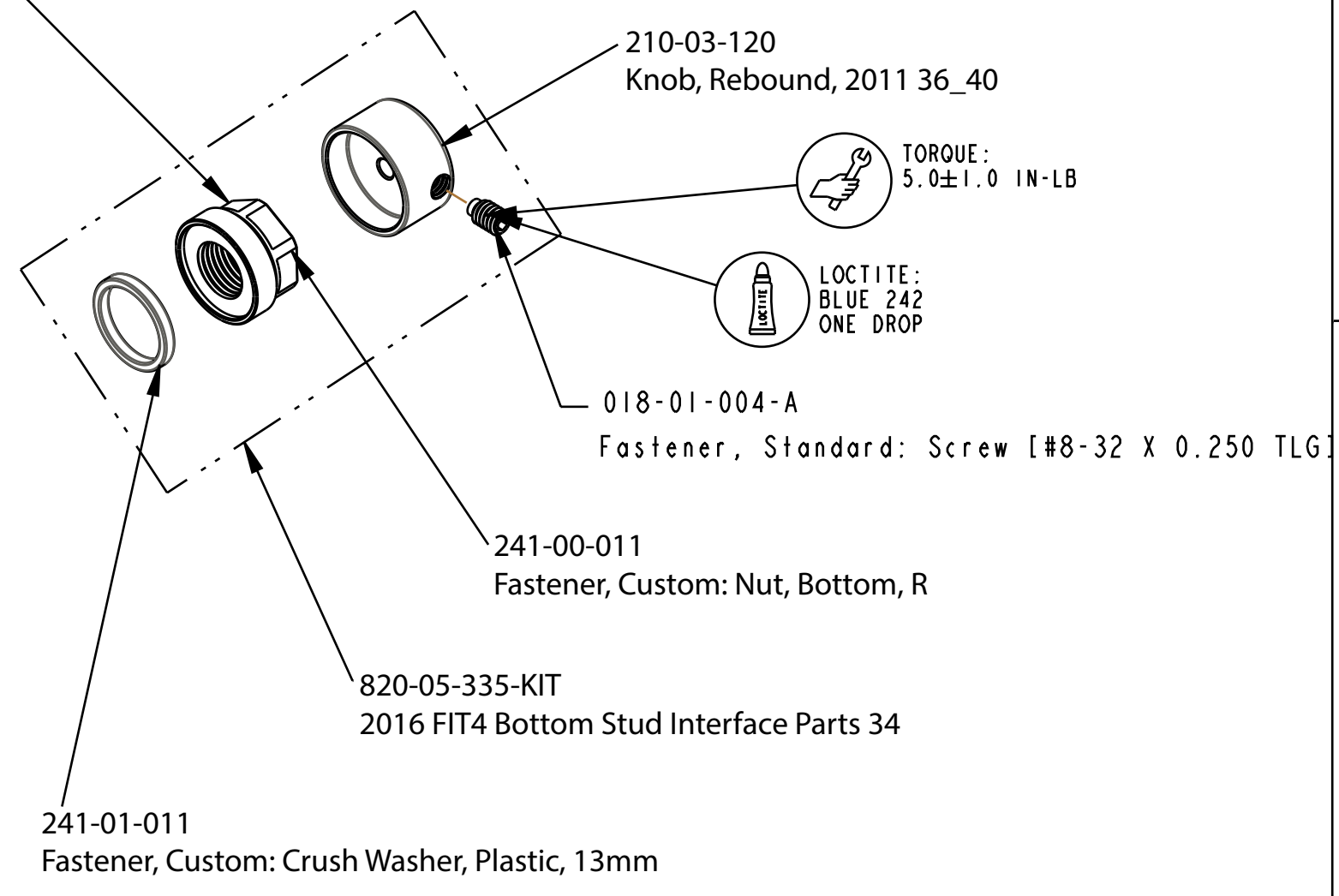


REFERENCE ONLY
(FOR INSTALLATION
INTO FORK)

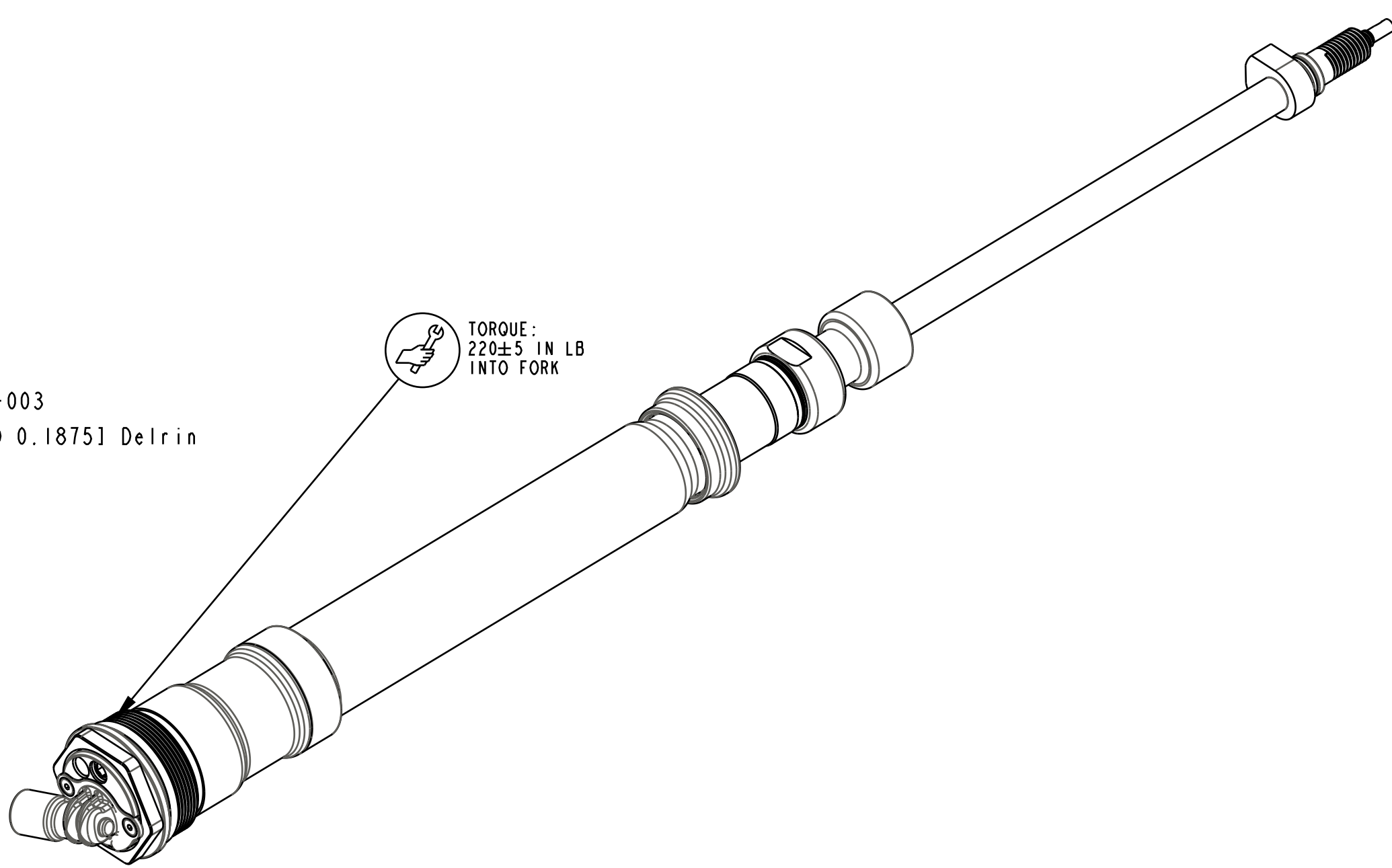
TORQUE:
80 ± 5
IN-LBS

IMPORTANT:
AFTER TOPCAP IS TORQUED,
ALIGN ADJUSTER AND CAP AT ANGLES SHOWN



TORQUE:
220 ± 5 IN LB
INTO FORK

010-01-003
Ball [Ø 0.1875] Delrin



- PROPRIETARY -
THIS DOCUMENT CONTAINS CONFIDENTIAL, PROPRIETARY INFORMATION
THAT IS FOX PROPERTY. DO NOT DISCLOSE TO OR DUPLICATE
FOR OTHERS EXCEPT AS AUTHORIZED BY FOX.

		FOX Factory, Inc.	Ph 831-768-1100
		130 Hangar Way, Watsonville, CA 95076 USA	Fax 831-768-9312
TITLE			
2020 LIVE Valve Cartridge Complete 34mm			
(AM: Rocky Mtn Thunderbolt Carbon/Rocky Mtn Instinct Carbon)			
SIZE DWG. NO.			
C			
PLOT SCALE NONE		SHEET 1 OF 1	