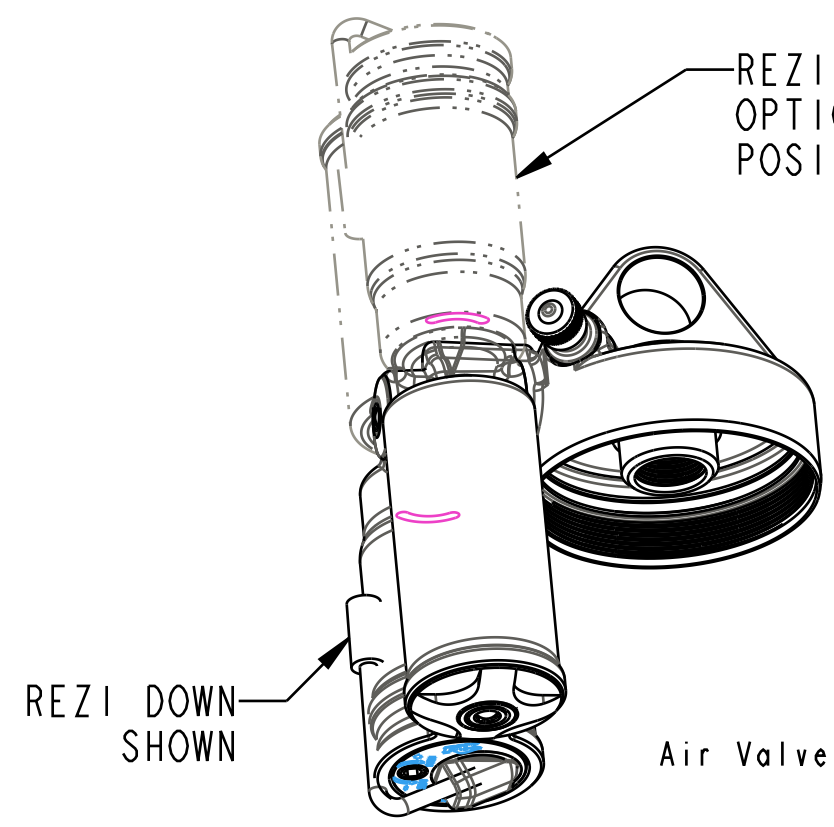


4

3

2

1



REZI UP
OPTIONAL
POSITION

REZI DOWN
SHOWN

SCALE .75:1

Spring: [0.190 TLG X 0.120 OD X 25.6 lbs/in] 17-7 SS, left hand wound

010-01-000
Ball [Ø 0.1250] Steel

Damping Adjust Part: Knob, RD Adjust [12 Detent, .175 TLG]

803-01-178
Service Set: Air Valve Part: Housing,
Tank Valve, DHX2, FloatX2, 2017 DPS

Air Valve Parts: Cap, Air Valve [L.305-321], Black, 6061

029-00-009
Seals:O-Ring [(009) .070 C.S. X .208 ID]
Standard N674-70, Dynamic

060-00-038
Pin: Dowel [Ø .125 X .1875 TLG] 18-8

029-00-015
O-Ring (-015) [.070 C.S. X .551 ID]

O-Ring (-012) [.070 C.S. X .364 ID]

(029-03-012)

010-01-003
Ball [Ø 0.1875] Delrin

029-03-012

TORQUE:
35±5 IN.LB.

GREASE:
THIN LAYER
OF BLUE MARINE

Eyelet: 2017 LIVE LV, 6061-T6, Black Ano III

TORQUE:
50±5 IN.LB.

029-08-030

Seals: O-Ring [10.0MM ID x 1.5MM CS] Metric, N-70, Static

GREASE:
THIN LAYER
OF SLICK HONEY

810-11-205-KIT
Reservoir Assy, 2019 Live Valve

029-00-032
Seals:O-Ring [(032) .070 C.S. X 1.864 ID] Standard N674-70, Dynamic

241-02-107
Fastener, Custom: Bolt: (Metric) [M8 X 1.25 X 14] Flat Head Socket Cap Screw

FOX **FOX Factory, Inc.**
130 Hangar Way, Watsonville, CA 95076 USA
Ph 831-768-1100 Fax 831-768-9312

TITLE
**Eyelet Assy: 2018,
FLOAT LIVE, LV**

SIZE DWG. NO.
C 808-17-308-KIT

PLOT SCALE 1.5:1 SHEET 1 OF 1

PROPRIETARY -
THIS DOCUMENT CONTAINS CONFIDENTIAL, PROPRIETARY INFORMATION
THAT IS FOX PROPERTY. DO NOT DISCLOSE TO OR DUPLICATE
FOR OTHERS EXCEPT AS AUTHORIZED BY FOX.

4

3

2

ProE ASSEM