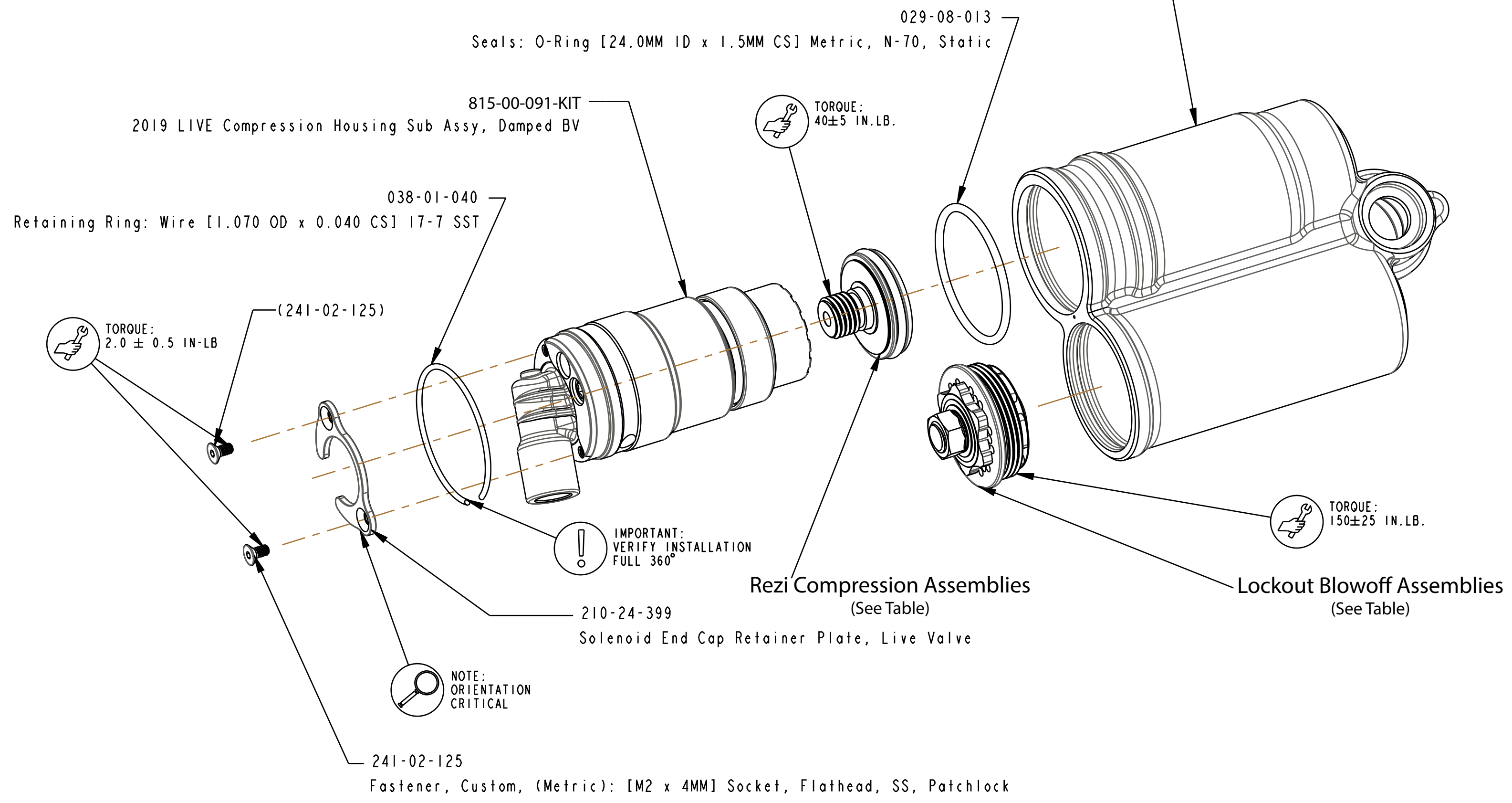


SECTION A-A

Reservoir: 2019 LIVE Shock, [0.940 IFP Bore] 6061-T6, Black Ano III

| Application | Rezi Compression Assembly | Lockout Blowoff Assembly |
|-----------------------------------|---------------------------|--------------------------|
| 2020 AM Giant Anthem Adv | 815-02-056-KIT | 815-02-130-KIT |
| 2020 AM Giant Reign Adv 27.5 | 815-02-056-KIT | 815-02-130-KIT |
| 2020 AM Scott Spark/ Spark RC | 815-02-056-KIT | 815-02-131-KIT |
| 2020 AM Scott Genius | 815-02-056-KIT | 815-02-122-KIT |
| 2020 AM Rocky Mtn Thunderbolt | 815-02-089-KIT | 815-02-131-KIT |
| 2020 AM Rocky Mtn Instinct | 815-02-089-KIT | 815-02-131-KIT |
| 2020 AM Rocky Mtn Altitude | 815-02-089-KIT | 815-02-131-KIT |
| 2020 AM Pivot Mach 5.5 | 815-02-056-KIT | 815-02-131-KIT |
| 2020 OE Giant Anthem Adv Pro 29 0 | 815-02-056-KIT | 815-02-130-KIT |
| 2020 OE Giant Pique Adv Pro 29 0 | 815-02-056-KIT | 815-02-130-KIT |
| 2020 OE Scott Genius | 815-02-056-KIT | 815-02-122-KIT |
| 2020 OE Pivot Mach 5.5 | 815-02-056-KIT | 815-02-131-KIT |
| 2020 OE Pivot Mach 4 SL | 815-02-089-KIT | 815-02-130-KIT |



FOX Factory, Inc.
 130 Hangar Way, Watsonville, CA 95076 USA
 Ph 831-768-1100
 Fax 831-768-9312

TITLE
 Reservoir Assy,
 2019 Live Valve

SIZE DWG. NO.
C 810-11-205-KIT

PLOT SCALE | .50:1 | SHEET 1 OF 1

- PROPRIETARY -
 THIS DOCUMENT CONTAINS CONFIDENTIAL, PROPRIETARY INFORMATION
 THAT IS FOX PROPERTY. DO NOT DISCLOSE TO OR DUPLICATE
 FOR OTHERS EXCEPT AS AUTHORIZED BY FOX.