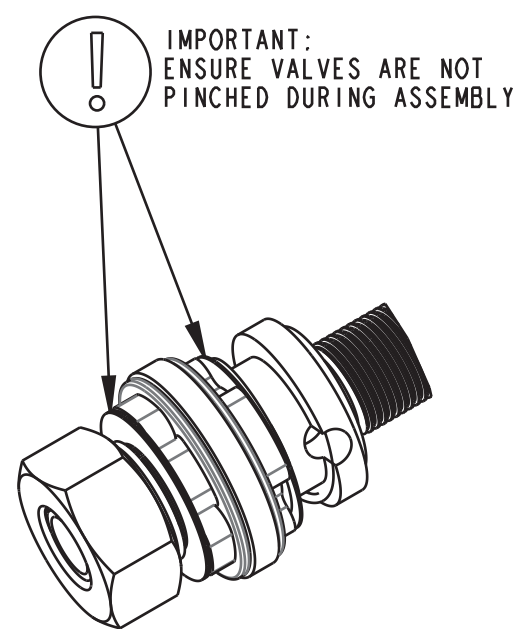


4

3

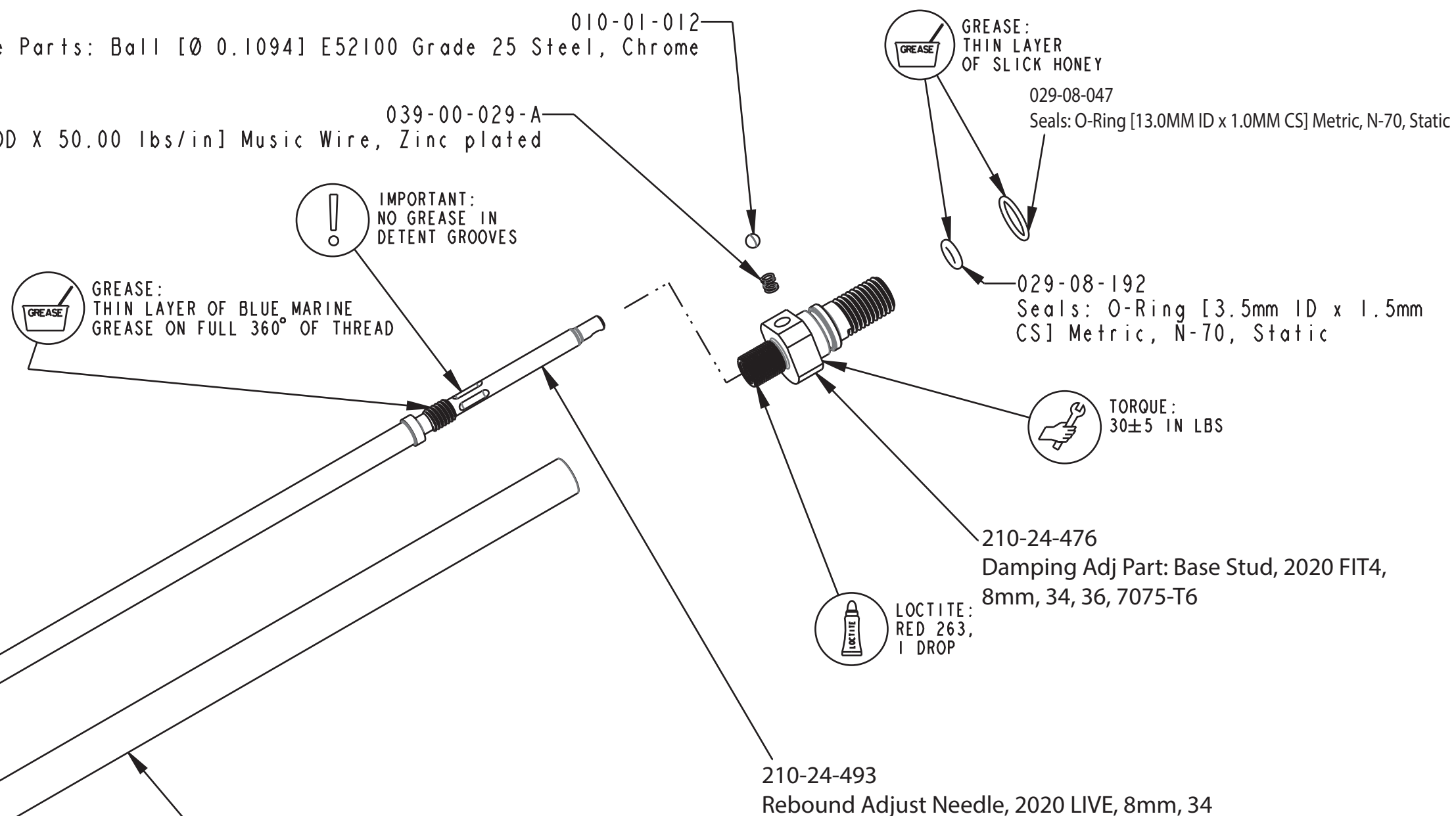
2

1



DETAIL A  
SCALE 2:1

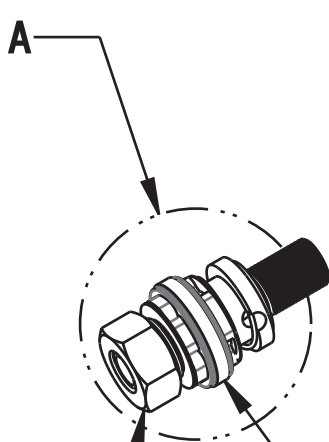
Air Valve Parts: Ball [Ø 0.1094] E52100 Grade 25 Steel, Chrome  
 Spring: [0.125 TLG X 0.125 OD X 50.00 lbs/in] Music Wire, Zinc plated



029-08-026  
 Seals: O-Ring [2.0mm ID X 1.5mm CS] Metric, N-60, Static

GREASE:  
 THIN LAYER  
 OF SLICK HONEY

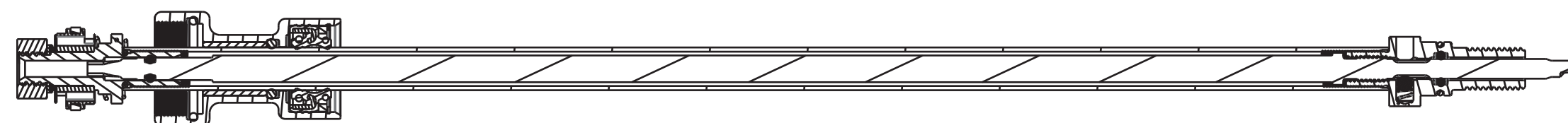
SEE DETAIL A



TORQUE:  
 30±5 IN LBS

820-03-610-KIT  
 2020 FIT4 Rebound Piston Assy, 8mm Shaft

820-03-569-KIT  
 Sealhead Assy, 2019 FIT [8mm, MI7.56]  
 Trelleborg, O-ring



SECTION A-A

PROPRIETARY  
 THIS DOCUMENT CONTAINS CONFIDENTIAL, PROPRIETARY INFORMATION  
 THAT IS FOX PROPERTY. DO NOT DISCLOSE TO OR DUPLICATE  
 FOR OTHERS EXCEPT AS AUTHORIZED BY FOX.

<b>FOX</b>		<b>FOX Factory, Inc.</b>	Ph 831-768-1100
		130 Hangar Way, Watsonville, CA 95076 USA	Fax 831-768-9312
TITLE			
2020 34 26/27.6/29in 130-160mm, 8mm, LIVE Damper Shaft Assy			
SIZE		DWG. NO.	
C		820-03-621-KIT	
PLOT SCALE		SHEET	
1:1		1 OF 1	

4

3

2

Pr oE ASSEM