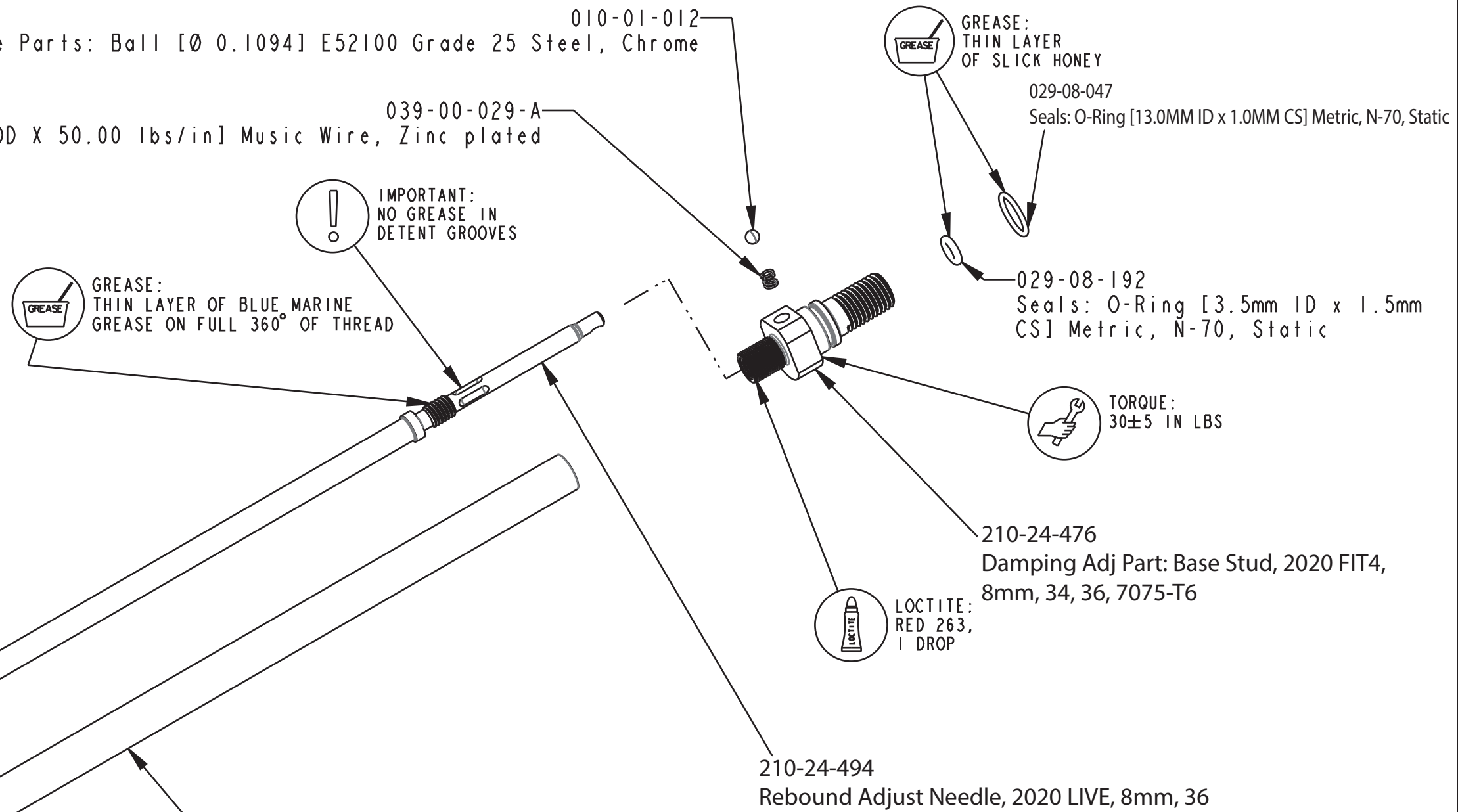


DETAIL A  
SCALE 2:1

Air Valve Parts: Ball [Ø 0.1094] E52100 Grade 25 Steel, Chrome  
Spring: [0.125 TLG X 0.125 OD X 50.00 lbs/in] Music Wire, Zinc plated

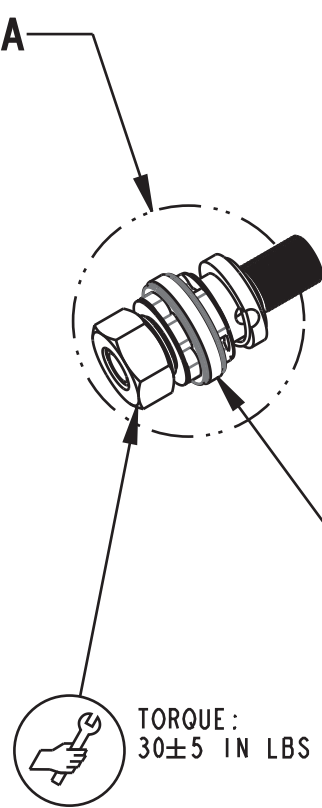


GREASE:  
THIN LAYER  
OF SLICK HONEY

029-08-026  
Seals: O-Ring [2.0mm ID X  
1.5mm CS] Metric, N-60, Static

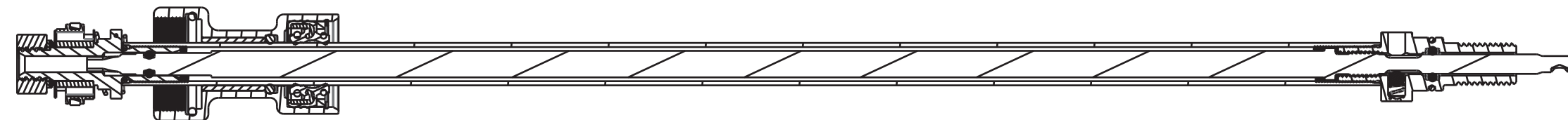
229-10-639  
Shaft, Damper, 8mm, 2020 LIVE, 36

SEE DETAIL A



820-03-610-KIT  
2020 FIT4 Rebound Piston Assy, 8mm Shaft

820-03-569-KIT  
Sealhead Assy, 2019 FIT [8mm, MI7.56]  
Trelleborg, O-ring



PROPRIETARY  
THIS DOCUMENT CONTAINS CONFIDENTIAL, PROPRIETARY INFORMATION  
THAT IS FOX PROPERTY. DO NOT DISCLOSE TO OR DUPLICATE  
FOR OTHERS EXCEPT AS AUTHORIZED BY FOX.

		<b>FOX Factory, Inc.</b>	Ph 831-768-1100
		130 Hangar Way, Watsonville, CA 95076 USA	Fax 831-768-9312
TITLE			
2020 36 26/27.6/29in 180mm Max, 8mm, LIVE Damper Shaft Assy			
SIZE		DWG. NO.	
C		820-03-622-KIT	
PLOT SCALE		SHEET	
1:1		1 OF 1	