

SLEEVE ASSEMBLIES:
 806-29-763-KIT: Sleeve Assy, Stanchion, 2020 SuperStrut, Black Ano, 32.5mm Travel
 806-29-764-KIT: Sleeve Assy, Stanchion, 2020 SuperStrut, Kashima, 32.5mm Travel

SCREW COUNTERBORES

LOCTITE:
 BLUE 242
 2 THREADS 60°-90°

234-04-199
 32 Travel Indicator (-025 Black VITON Shore A 75 O-ring)

210-24-463
 Compression Adjust Rod, 2020 SuperStrut

TORQUE:
 14±2 IN-LBF

TORQUE:
 20±2 FT-LBF

010-00-011
 Pellet [Ø 0.275 X 0.125 TLG] NBR A90
 010-00-010
 Pellet Retainer [5/16-24, .220 TLG]
 010-01-003
 Ball [Ø 0.1875] Delrin

207-78-200
 Body, 2020 SuperStrut, Black Ano

805-00-116-KIT
 IFP Assy, 2020 SuperStrut

815-02-200-KIT
 Damping Adj Assy: 2020 SuperStrut, Lockout Plate and Check

GREASE:
 THIN LAYER
 OF SLICK HONEY

TORQUE:
 60±5 IN-LBF

OIL:
 THIN LAYER OF
 FLOAT FLUID

TORQUE:
 10-15 IN-LBF

807-06-316-KIT
 Valving Assy, 2020 SuperStrut
COMPRESSION VALVE ASSEMBLY:
 805-05-110-KIT: Valve Stack Assy, 2020 SuperStrut, Compression
REBOUND VALVE ASSEMBLY:
 805-05-310-KIT: Valve Stack Assy, 2020 SuperStrut, Rebound
LOCKOUT VALVE ASSEMBLY:
 805-05-210-KIT: Valve Stack Assy, 2020 SuperStrut, Lockout

812-06-095-KIT
 Bearing Assy, 2020 SuperStrut

029-08-122
 Seals: O-Ring [8.5mm ID x 2.5mm CS]Metric, N-70, static

043-15-010
 Valve: [1.100 OD X .356 ID x .015 TH]

233-00-262
 Travel Spacer [15.62mm TLG] 6061, Black Ano

229-72-016
 Shaft [2.652 TLG] Black Ano, 2020 SuperStrut

029-05-030
 Seals: O-ring [1.050 C.S. x .154 ID] Special N0552-90, Dynamic

LOCTITE:
 RED 277

TORQUE:
 85±5 IN-LBF

GREASE:
 THIN LAYER
 OF SLICK HONEY

210-84-110
 Rebound Metering Rod, 2020 SuperStrut

010-01-009
 Ball [Dia 1.5MM]Steel

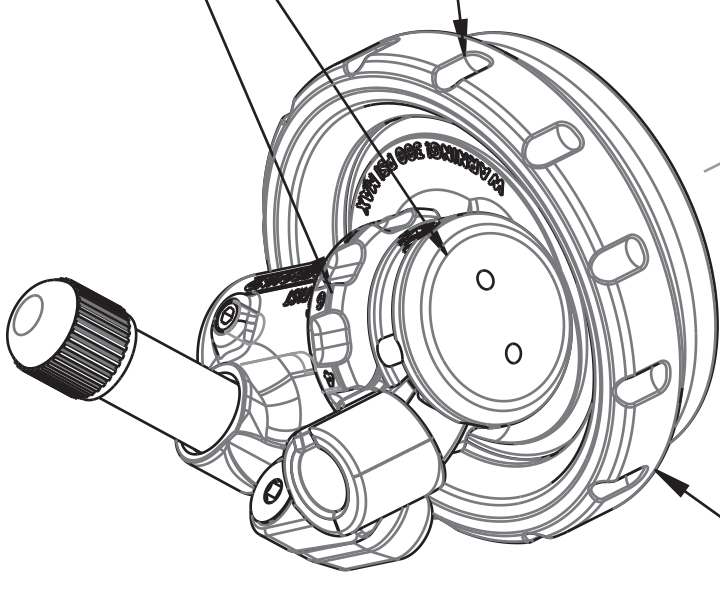
029-12-000
 Seals: O-ring, Square cut [0.087 ID X 0.039 WALL X 0.036 TH], NA103-70, Dynamic

233-00-421
 Volume Spacer, 0.1 in³, 2020 SuperStrut, Pickled Cucumber

EYELET ASSEMBLIES:
 808-17-399-KIT: Eyelet Assy, 2020 SuperStrut, Lever
 808-17-398-KIT: Eyelet Assy, 2020 SuperStrut, Remote

CHECK:
 REBOUND POSITIONS AND
 LOCKOUT PLATE LIFT

TORQUE:
 12±2 FT-LBF



IFP PRESSURE:
 500 psi +/- 10 psi

IFP HEIGHT:
 2.000 +/- .020in

SHOCK OIL 10 WT RED

FOX Factory, Inc.
 130 Hangar Way, Watsonville, CA 95076 USA
 Ph 831-768-1100
 Fax 831-768-9312

2020 IsoStrut, Trek SuperCaliber

SIZE DWG. NO. D
 PLOT SCALE 1.5:1 SHEET 1 OF 2

THIS DOCUMENT CONTAINS CONFIDENTIAL, PROPRIETARY INFORMATION THAT IS FOR PROPERTY. DO NOT DISCLOSE TO OR DUPLICATE FOR OTHERS EXCEPT AS AUTHORIZED BY FOX.