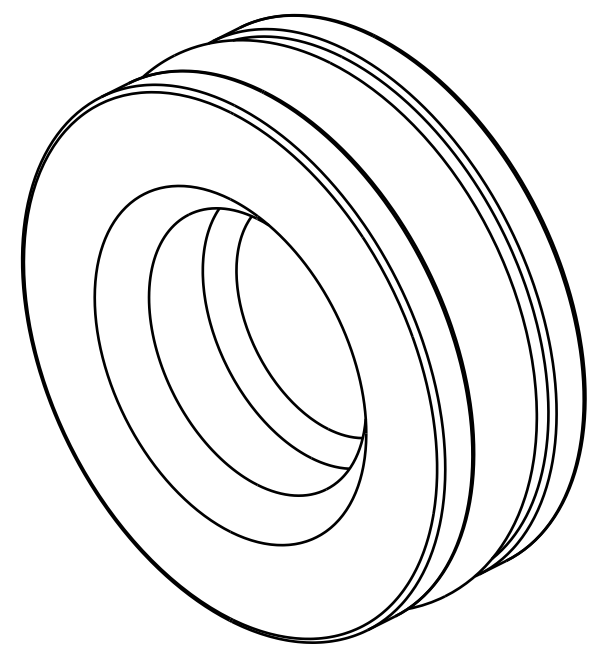


4

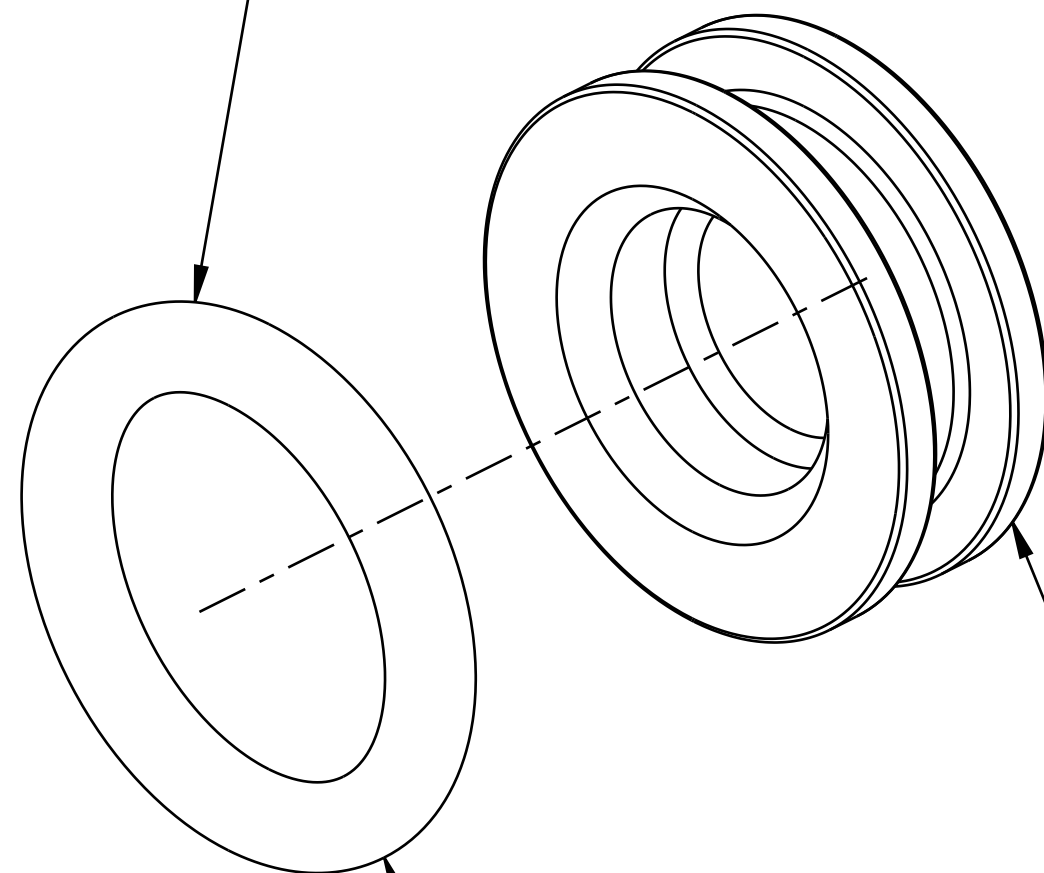
3

2

1



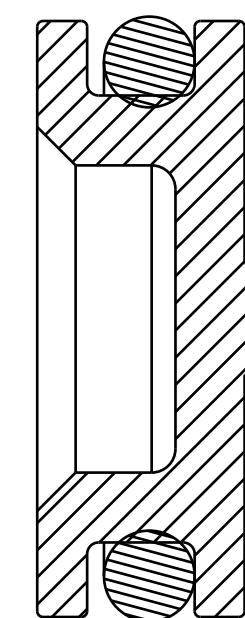
GREASE:  
THIN LAYER  
OF SLICK HONEY



Piston: Floating, [.785 BORE, .776 OD X .270 TLG]

029-08-207

Seals: O-Ring [14.0mm ID X 3.0mm CS] Metric, N674-70, Dynamic



SECTION A-A

**FOX** FOX Factory, Inc. Ph 831-768-1100  
130 Hangar Way, Watsonville, CA 95076 USA Fax 831-768-9312

TITLE  
Piston Assembly: Floating,  
IFP, 2020 SuperStrut

SIZE DWG. NO. **805-00-116-KIT**

PLOT SCALE 4:1 SHEET 1 OF 1

- PROPRIETARY -  
THIS DOCUMENT CONTAINS CONFIDENTIAL, PROPRIETARY INFORMATION  
THAT IS FOX PROPERTY. DO NOT DISCLOSE TO OR DUPLICATE  
FOR OTHERS EXCEPT AS AUTHORIZED BY FOX.

4

3

2

1