

4

3

2

1

D

D

C

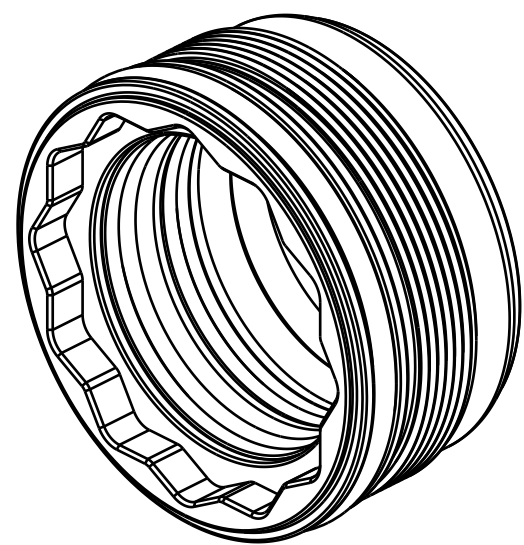
C

B

B

A

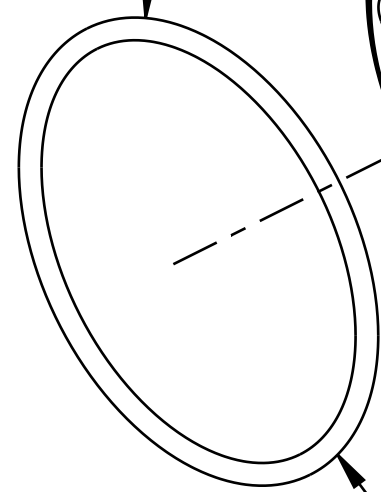
A



USE ONLY FLOAT FLUID TO LUBRICATE AIR SEALS

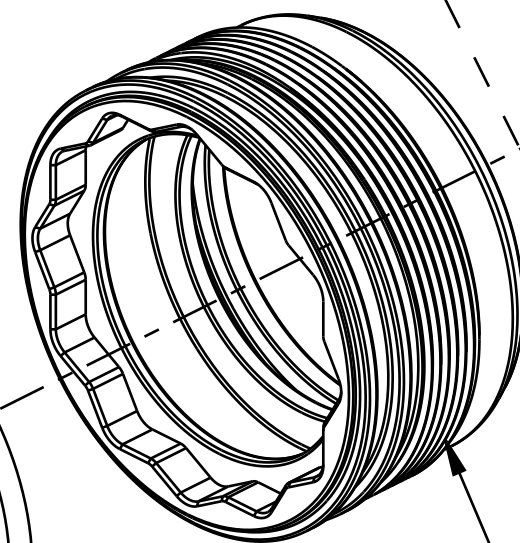


GREASE:  
THIN LAYER  
OF SLICK HONEY

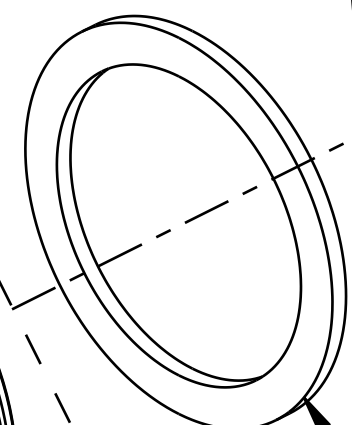


029-08-178

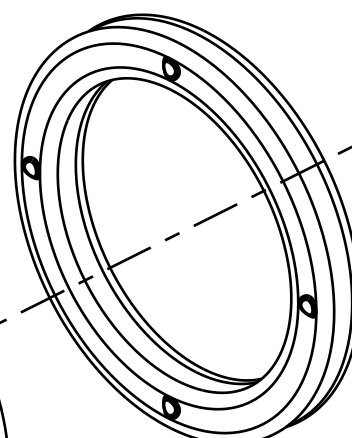
Seals: O-Ring [30.0mm X 1.5mm CS] Metric, N-70, Static



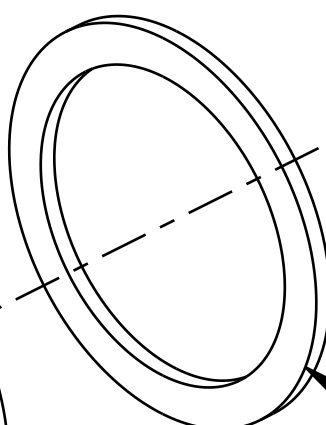
Neg Plate, 2020 SuperStrut



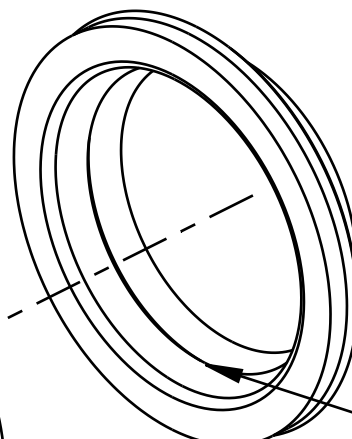
Bearing: Back-Up, Ø0.895 Shaft



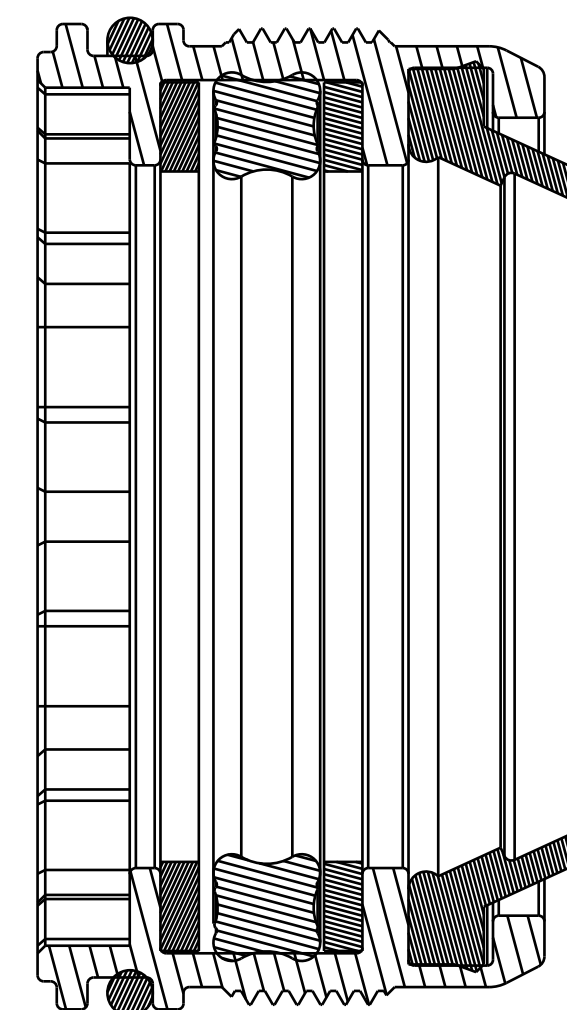
Seals: Q-Ring, Custom, [Ø .895 Shaft] NBR-70



Bearing: Back-Up, Ø0.895 Shaft



Seals: Wiper, Custom [Ø .895 Shaft]



SECTION A-A  
SCALE 4:1

- PROPRIETARY -  
THIS DOCUMENT CONTAINS CONFIDENTIAL, PROPRIETARY INFORMATION  
THAT IS FOX PROPERTY. DO NOT DISCLOSE TO OR DUPLICATE  
FOR OTHERS EXCEPT AS AUTHORIZED BY FOX.

**FOX** **FOX Factory, Inc.** Ph 831-768-1100  
130 Hangar Way, Watsonville, CA 95076 USA Fax 831-768-9312

TITLE  
Neg Plate Subassembly,  
2020 SuperStrut

SIZE DWG. NO.  
**C** 820-02-559-KIT

PLOT SCALE 2:1 SHEET 1 OF 1

4

3

2

1

ProE ASSEM