

4

3

2

1

D

D

C

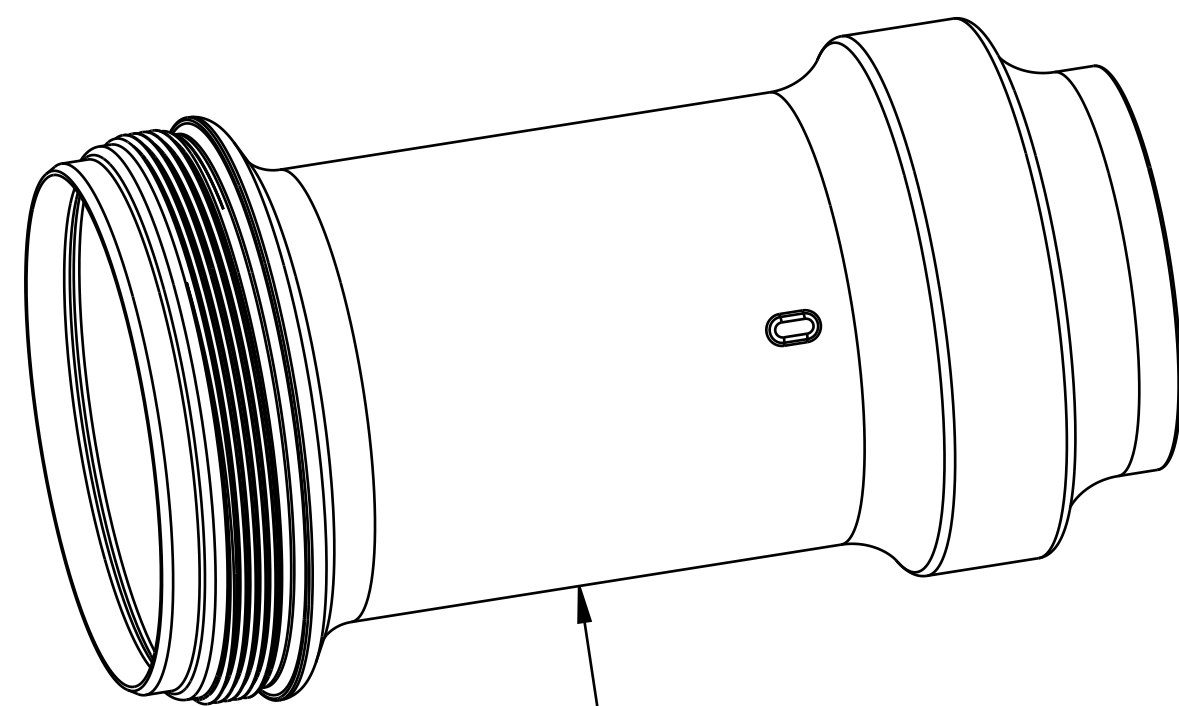
C

B

B

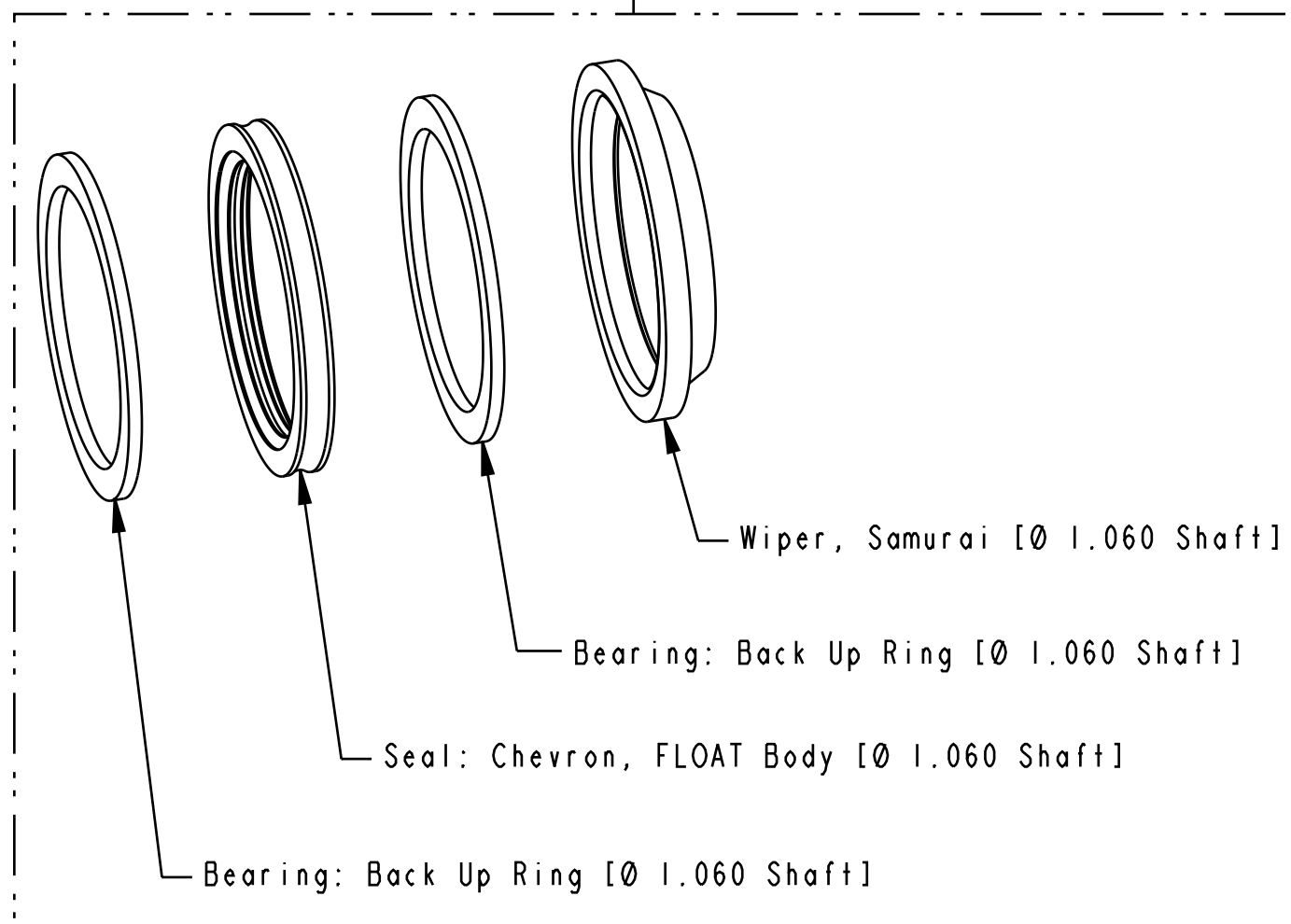
A

A



SLEEVE

AIR SLEEVE SEALS CAN BE FOUND IN KIT: 803-00-142

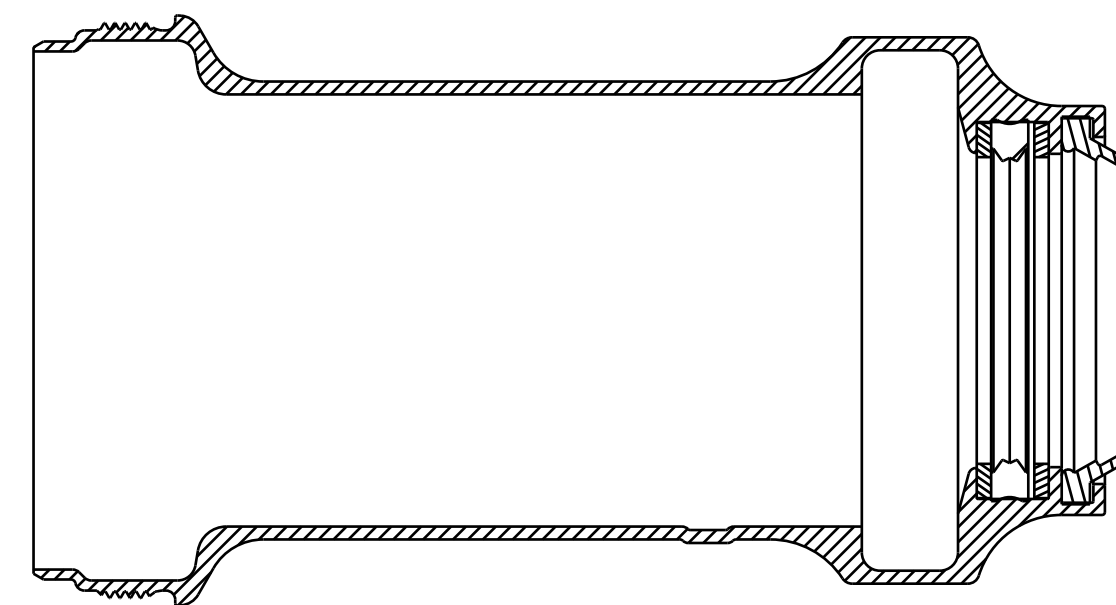


Wiper, Samurai [Ø 1.060 Shaft]

Bearing: Back Up Ring [Ø 1.060 Shaft]

Seal: Chevron, FLOAT Body [Ø 1.060 Shaft]

Bearing: Back Up Ring [Ø 1.060 Shaft]



- PROPRIETARY -  
 THIS DOCUMENT CONTAINS CONFIDENTIAL, PROPRIETARY INFORMATION  
 THAT IS FOX PROPERTY. DO NOT DISCLOSE TO OR DUPLICATE  
 FOR OTHERS EXCEPT AS AUTHORIZED BY FOX.

**FOX** **FOX Factory, Inc.** Ph 831-768-1100  
 130 Hangar Way, Watsonville, CA 95076 USA Fax 831-768-9312

TITLE **Air Sleeve Assemblies,**  
**2020 TREK 9mm Thru Shaft**

SIZE DWG. NO.

C

PLOT SCALE 2:1

SHEET 1 OF 1

4

3

2

1

ProE ASSEM