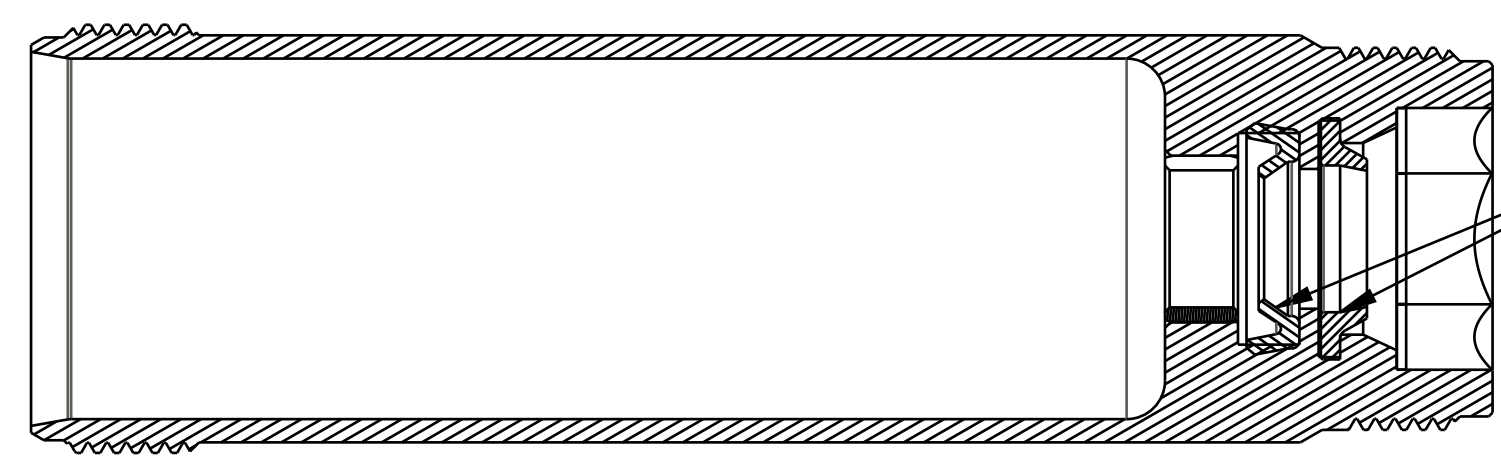
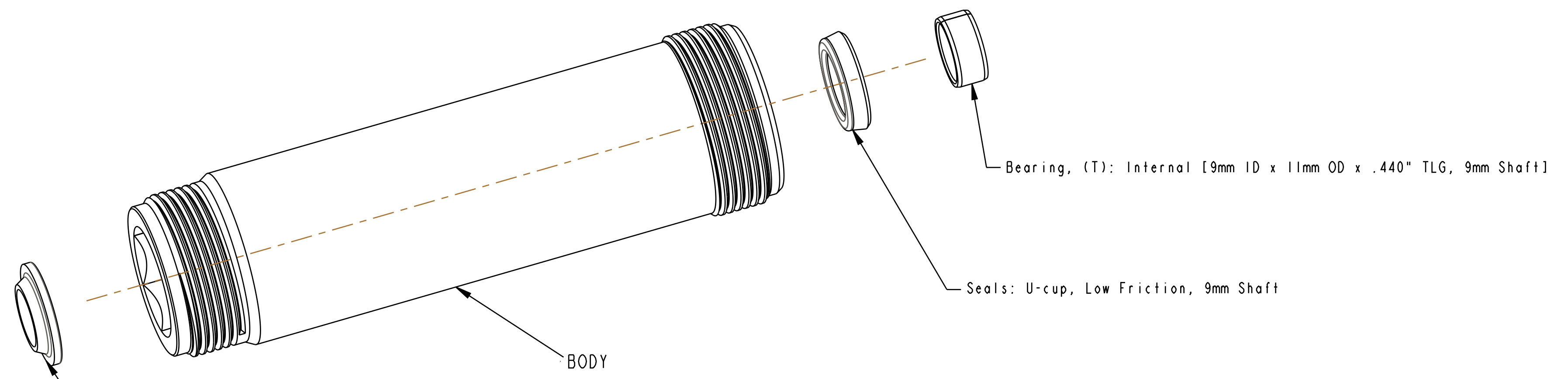


SCALE 1:1



SECTION A-A

GREASE:  
THIN LAYER  
SLICK HONEY



036-01-086  
Seals: Scraper, 9mm Shaft, DHX2, Parker M065C14B11418

Bearing, (T): Internal [9mm ID x 11mm OD x .440" TLG, 9mm Shaft]

Seals: U-cup, Low Friction, 9mm Shaft

- PROPRIETARY -  
THIS DOCUMENT CONTAINS CONFIDENTIAL, PROPRIETARY INFORMATION  
THAT IS FOX PROPERTY. DO NOT DISCLOSE TO OR DUPLICATE  
FOR OTHERS EXCEPT AS AUTHORIZED BY FOX.

TITLE	<b>FOX</b> <b>FOX Factory, Inc.</b>		Ph 831-768-1100
	130 Hangar Way, Watsonville, CA 95076 USA		Fax 831-768-9312
SIZE	DWG. NO.		
<b>C</b>			
PLOT SCALE	2:1	SHEET 1 OF 1	