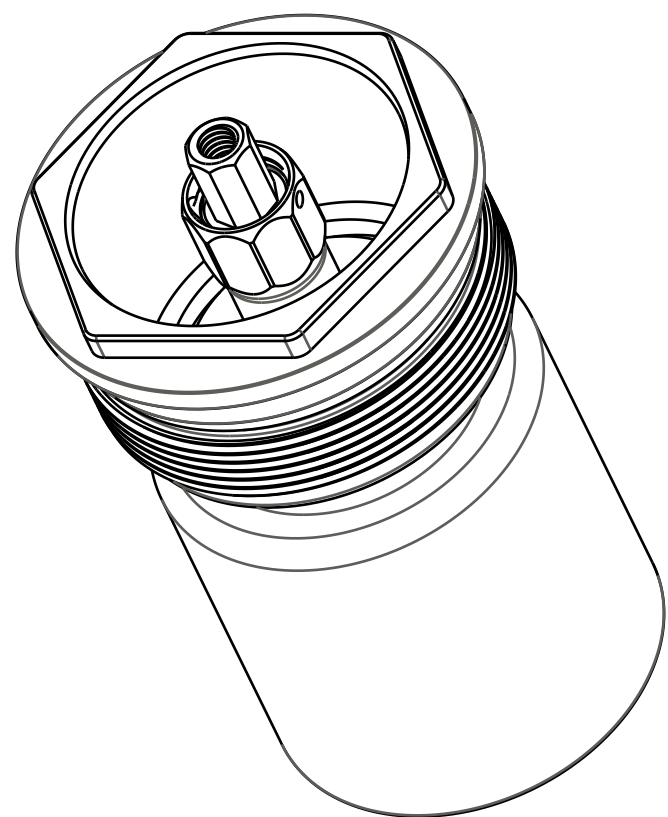


4

3

2

1



TOPCAP BODY

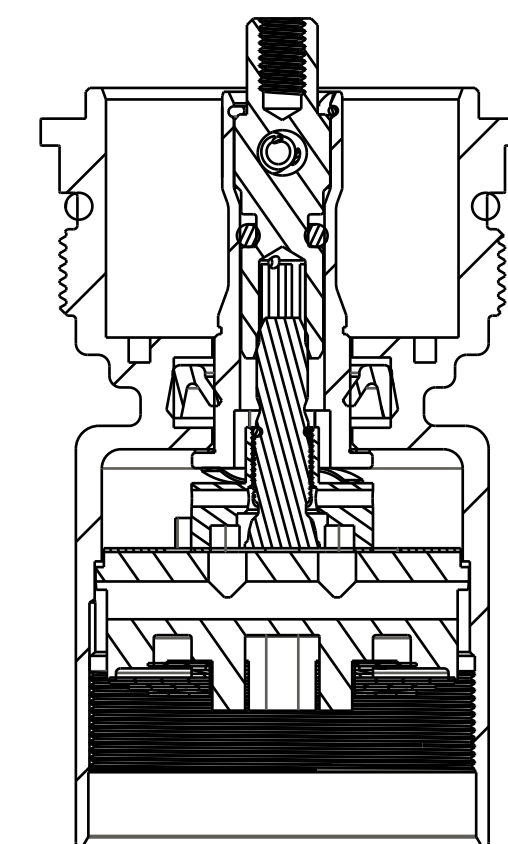
GREASE:  
THIN LAYER  
OF SLICK HONEY

TOPCAP O-RING

Seals: U-cup, Low Friction, 9mm Shaft

TOPCAP PARTS:  
820-03-539-KIT: 2018 FIT4 Lightweight F-S Top Cap Parts, Remote, U-Cup, Push-Lock  
820-03-534-KIT: 2018 FIT4 Lightweight F-S Top Cap Parts, Remote, U-Cup

COMPRESSION VALVING ASSEMBLIES:  
820-03-613-KIT: 2020 FIT4 Compression Valving Assy, 8mm Shaft  
820-03-624-KIT: 2020 FIT4 Compression Valving Assy, CL tune, 8mm Shaft



**FOX** **FOX Factory, Inc.** Ph 831-768-1100  
130 Hangar Way, Watsonville, CA 95076 USA Fax 831-768-9312

TITLE  
**2021 34 FIT4 REMOTE  
TOPCAP ASSEMBLIES**

SIZE DWG. NO.

**C**

PLOT SCALE | .50:1

SHEET 1 OF 1

- PROPRIETARY -  
THIS DOCUMENT CONTAINS CONFIDENTIAL, PROPRIETARY INFORMATION  
THAT IS FOX PROPERTY. DO NOT DISCLOSE TO OR DUPLICATE  
FOR OTHERS EXCEPT AS AUTHORIZED BY FOX.

4

3

2

PrøE ASSEM