

4

3

2

1

D

D

C

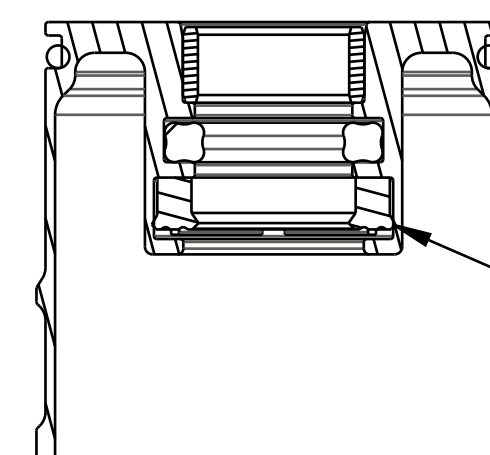
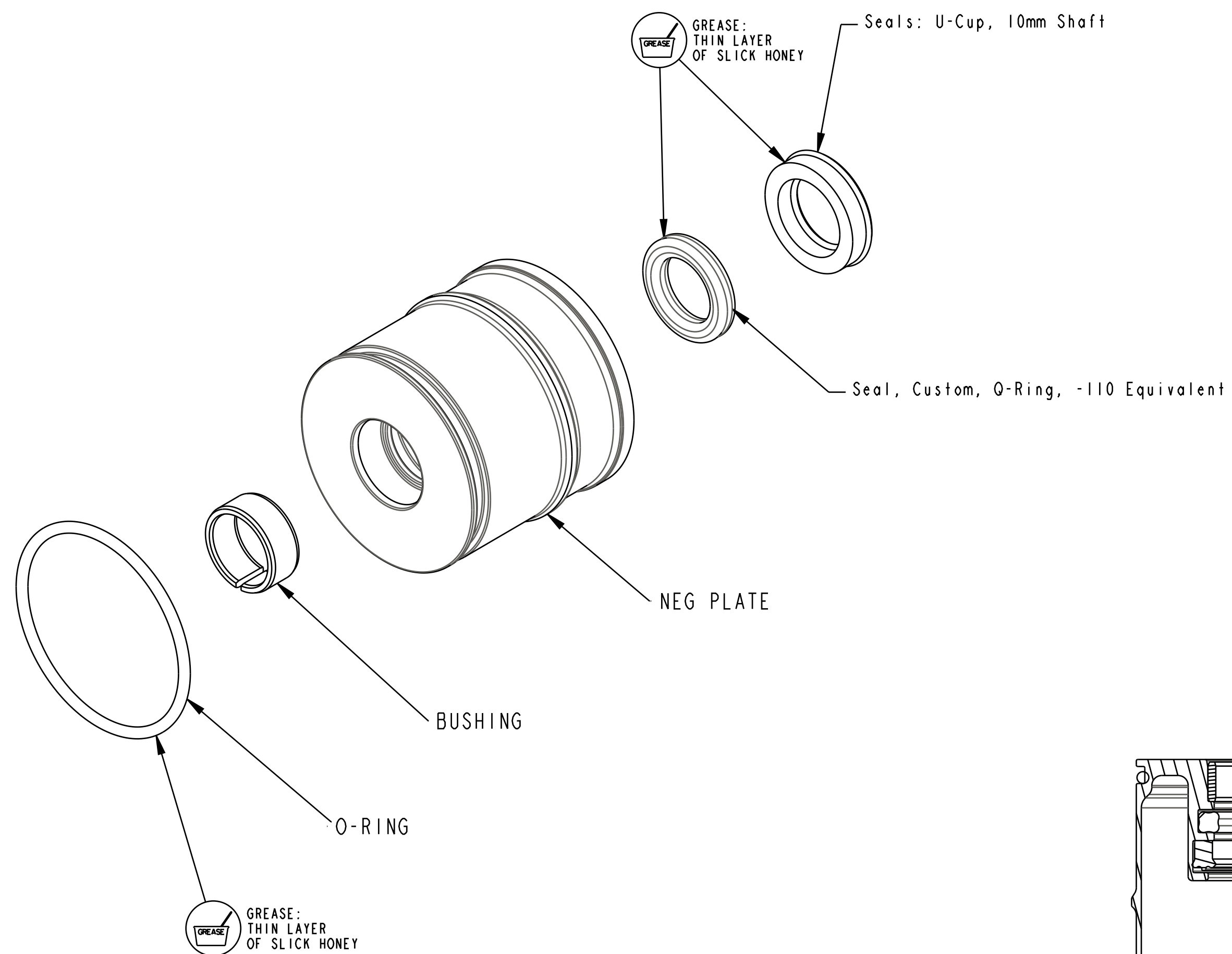
C

B

B

A

A



IMPORTANT:
NOTE ORIENTATION
OF U-CUP SEAL

SECTION A-A

- PROPRIETARY -
THIS DOCUMENT CONTAINS CONFIDENTIAL, PROPRIETARY INFORMATION
THAT IS FOX PROPERTY. DO NOT DISCLOSE TO OR DUPLICATE
FOR OTHERS EXCEPT AS AUTHORIZED BY FOX.

FOX		FOX Factory, Inc.	Ph 831-768-1100
130 Hangar Way, Watsonville, CA 95076 USA		Fax 831-768-9312	
TITLE Neg Plate Subassembly, 2019 FLOAT LC NA 2, 34, All Travels, 1.214 Bore, Aluminum			
SIZE C	DWG. NO. 820-02-523-KIT		
PLOT SCALE 2.00:1		SHEET 1 OF 1	

4

3

2

1