

4

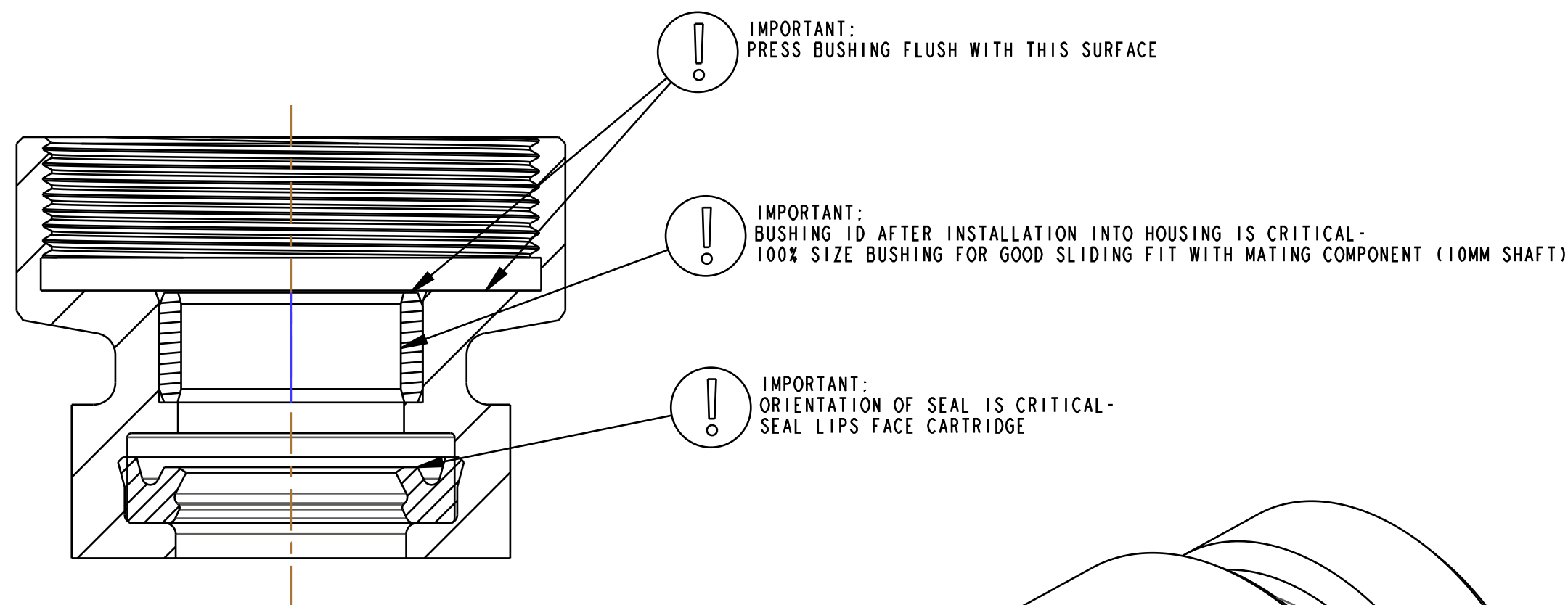
3

2

1

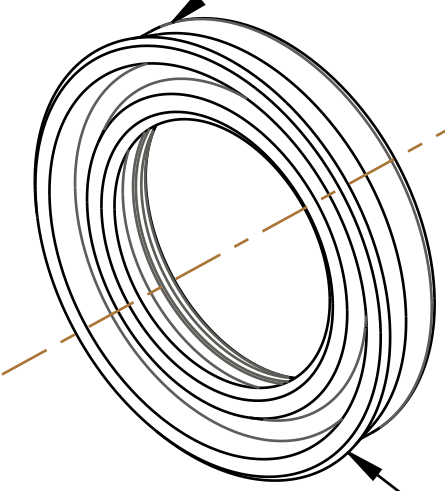
D

D

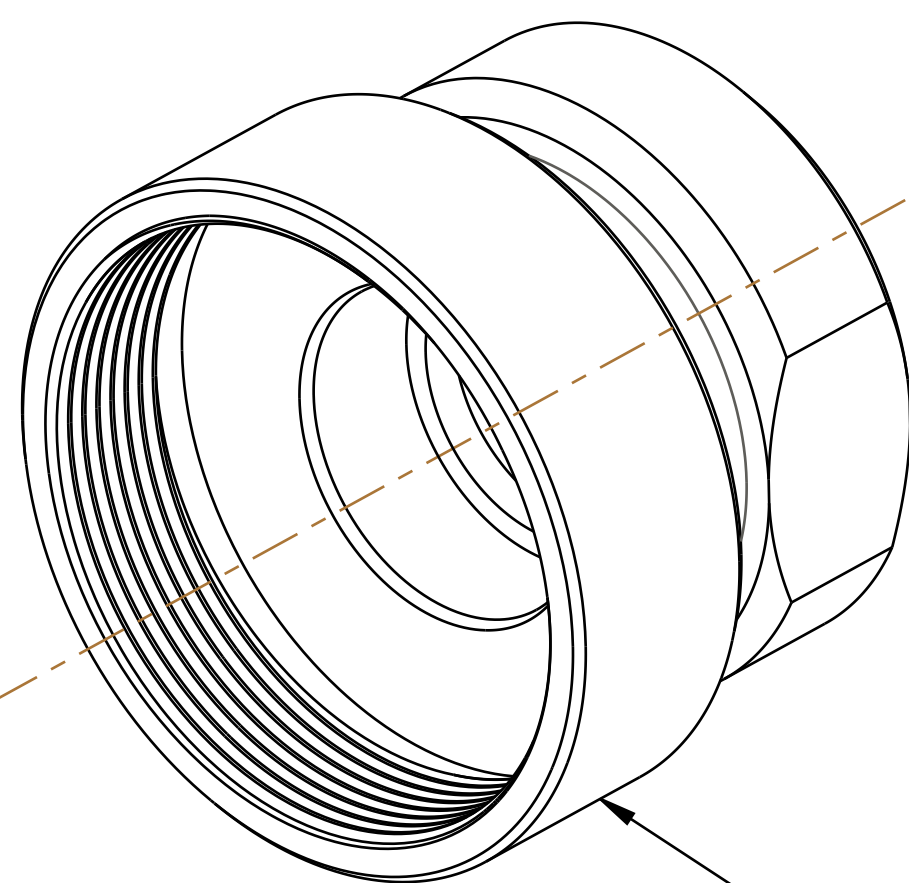


GREASE: THIN LAYER SLICK HONEY

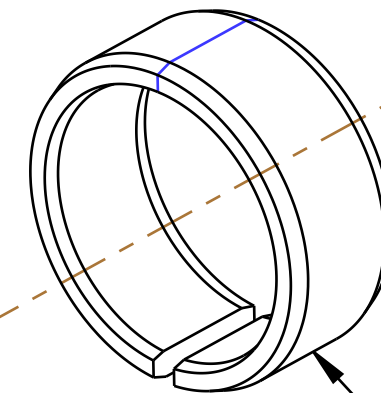
SECTION A-A



Seal: U-cup, 10mm, 70D



Damping Adjust Part: 2019 Sealhead, Grip, All



Bearing Internal: 10mm ID X 12mm OD X 5mm THK

B

B

A

A

FOX FOX Factory, Inc. Ph 831-768-1100
 130 Hangar Way, Watsonville, CA 95076 USA Fax 831-768-9312

TITLE
 2019 Grip, All, Bearing Housing Assy

SIZE DWG. NO. **C** 820-03-525-KIT

PLOT SCALE 4:1 SHEET 1 OF 1

- PROPRIETARY -
 THIS DOCUMENT CONTAINS CONFIDENTIAL, PROPRIETARY INFORMATION
 THAT IS FOX PROPERTY. DO NOT DISCLOSE TO OR DUPLICATE
 FOR OTHERS EXCEPT AS AUTHORIZED BY FOX.

4

3

2

1

ProE ASSEM