

4

3

2

1

D

D

C

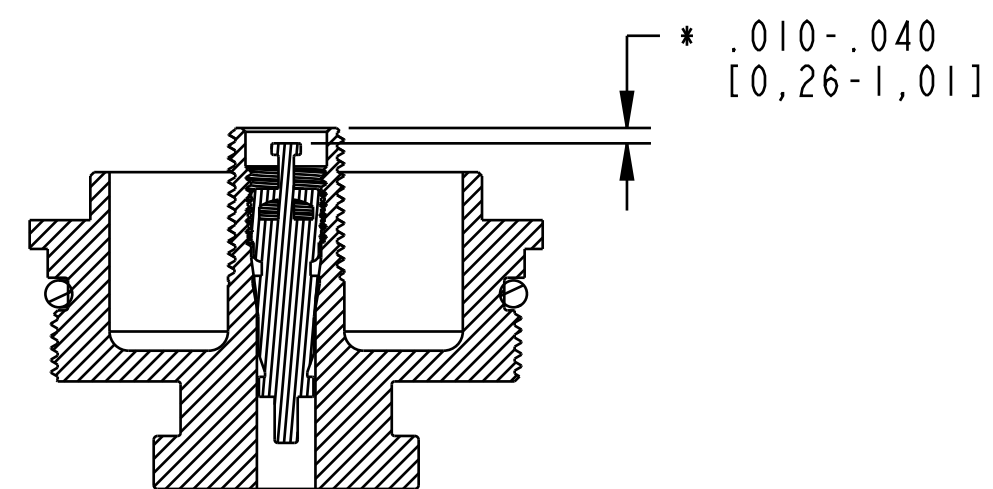
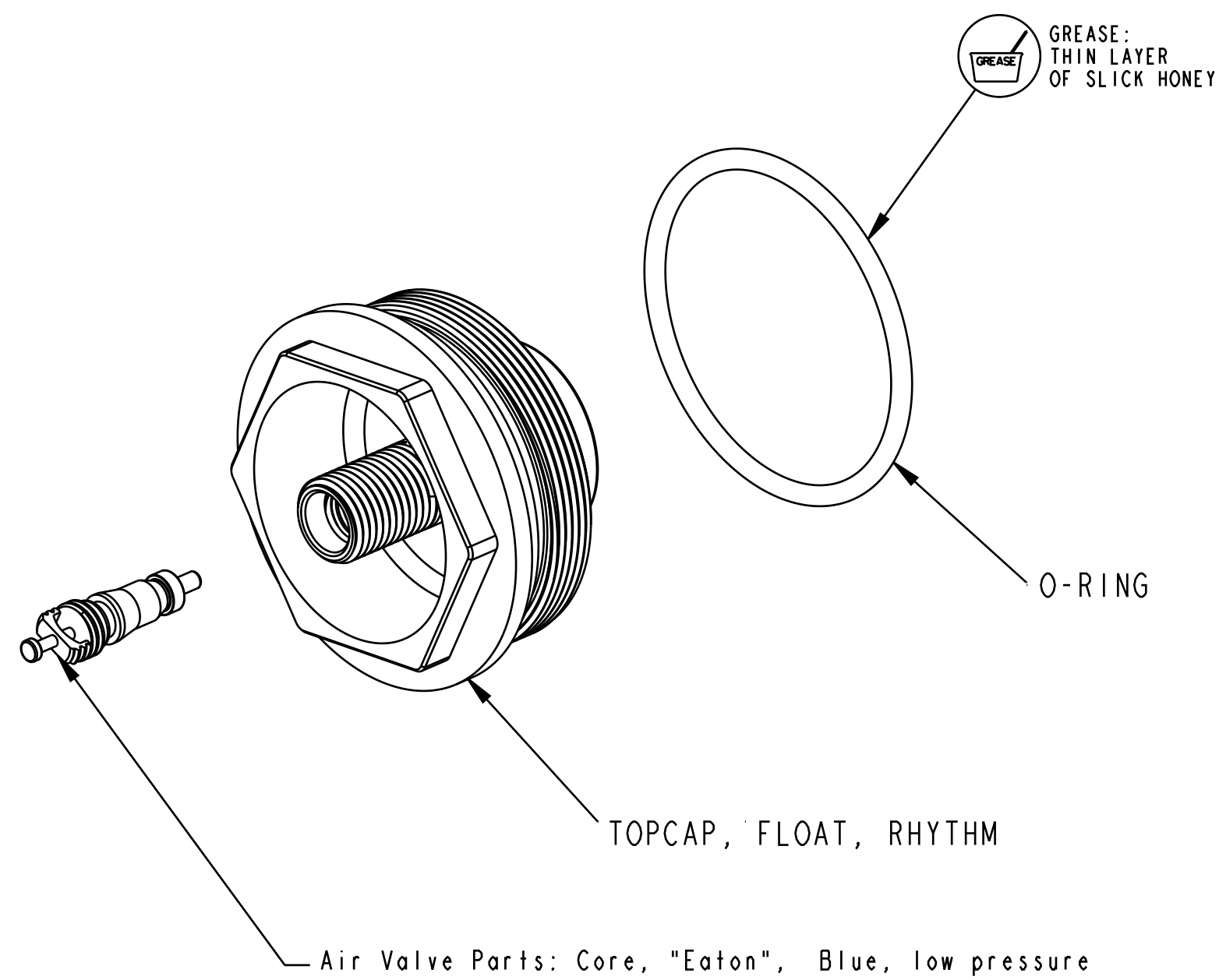
C

B

B

A

A



SECTION A-A

- PROPRIETARY -  
 THIS DOCUMENT CONTAINS CONFIDENTIAL, PROPRIETARY INFORMATION  
 THAT IS FOX PROPERTY. DO NOT DISCLOSE TO OR DUPLICATE  
 FOR OTHERS EXCEPT AS AUTHORIZED BY FOX.

|            |  |   |                  |
|------------|--|---|------------------|
| <b>FOX</b> |  | <b>FOX Factory, Inc.</b>                  | Ph 831-768-1100  |
|            |  | 130 Hangar Way, Watsonville, CA 95076 USA | Fax 831-768-9312 |
| TITLE      | Topcap Assy, 2018,<br>FLOAT LC NA 2, 34, Black |   |                  |
| SIZE       | DWG. NO.                                       | 820-05-416-KIT                            |                  |
| C          | PLOT SCALE 2.00:1                              |   | SHEET 1 OF 1     |

4

3

2

1