

4

3

2

1

D

D

C

C

B

B

A

A

Valve: Metric [17.35mm OD X 7mm ID X 0.15mm THK]

* PISTON ORIENTATION IS CRITICAL
SMALL PORTS FACE NUT

Damping Adj Part: Piston Stud, 6mm

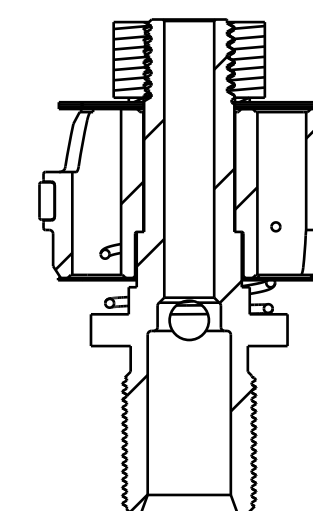
Spring: Rebound Check, 09 36-40

Bearing, External: Glide Ring, Molded, Z-Cut, Grip

Piston, Damping, Rebound, MIM, 20.0 Bore

Fastener, Standard (Metric), Nut, M6 x .75

REBOUND VALVING:
820-03-590-KIT: 2019 Grip E-Bike Rebound Valving
820-03-456-KIT: 2017 Grip Rebound Valving, Short Travel



SECTION A-A

- PROPRIETARY -
THIS DOCUMENT CONTAINS CONFIDENTIAL, PROPRIETARY INFORMATION
THAT IS FOX PROPERTY. DO NOT DISCLOSE TO OR DUPLICATE
FOR OTHERS EXCEPT AS AUTHORIZED BY FOX.

		FOX Factory, Inc.	Ph 831-768-1100 Fax 831-768-9312
130 Hangar Way, Watsonville, CA 95076 USA		TITLE	
		2021 34 SC GRIP REMOTE REBOUND PISTON ASSEMBLIES	
SIZE	DWG. NO.		
C			
PLOT SCALE 2.00:1		SHEET 1 OF 1	

4

3

2

1