

4

3

2

1

D

D

C

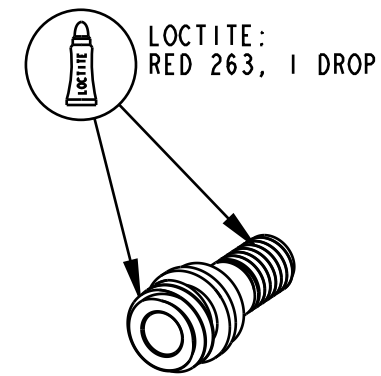
C

B

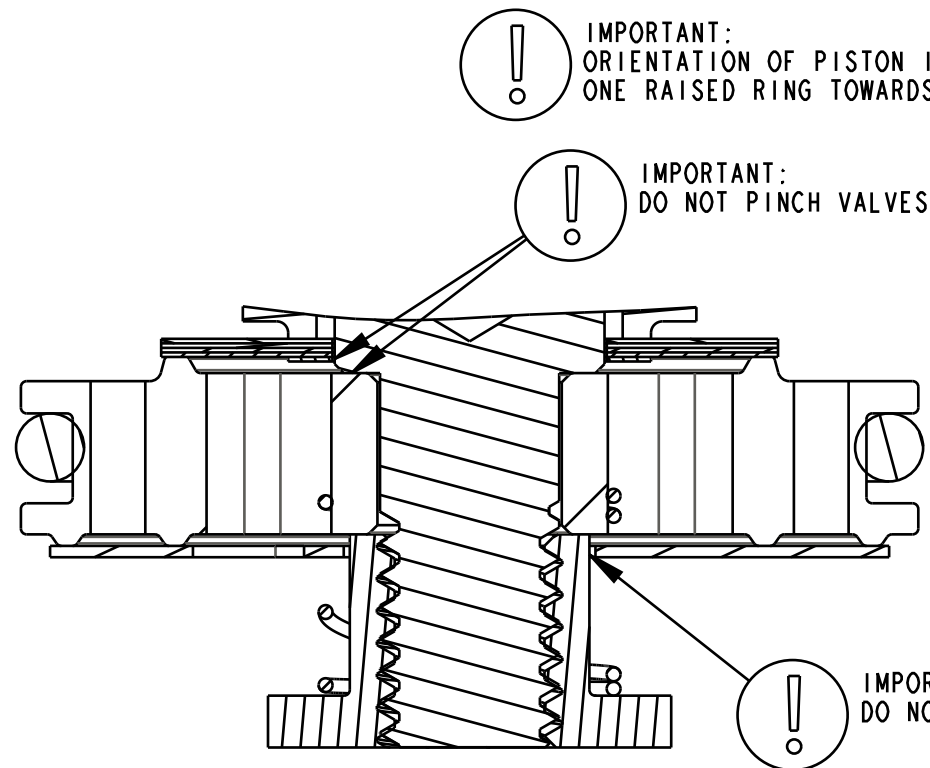
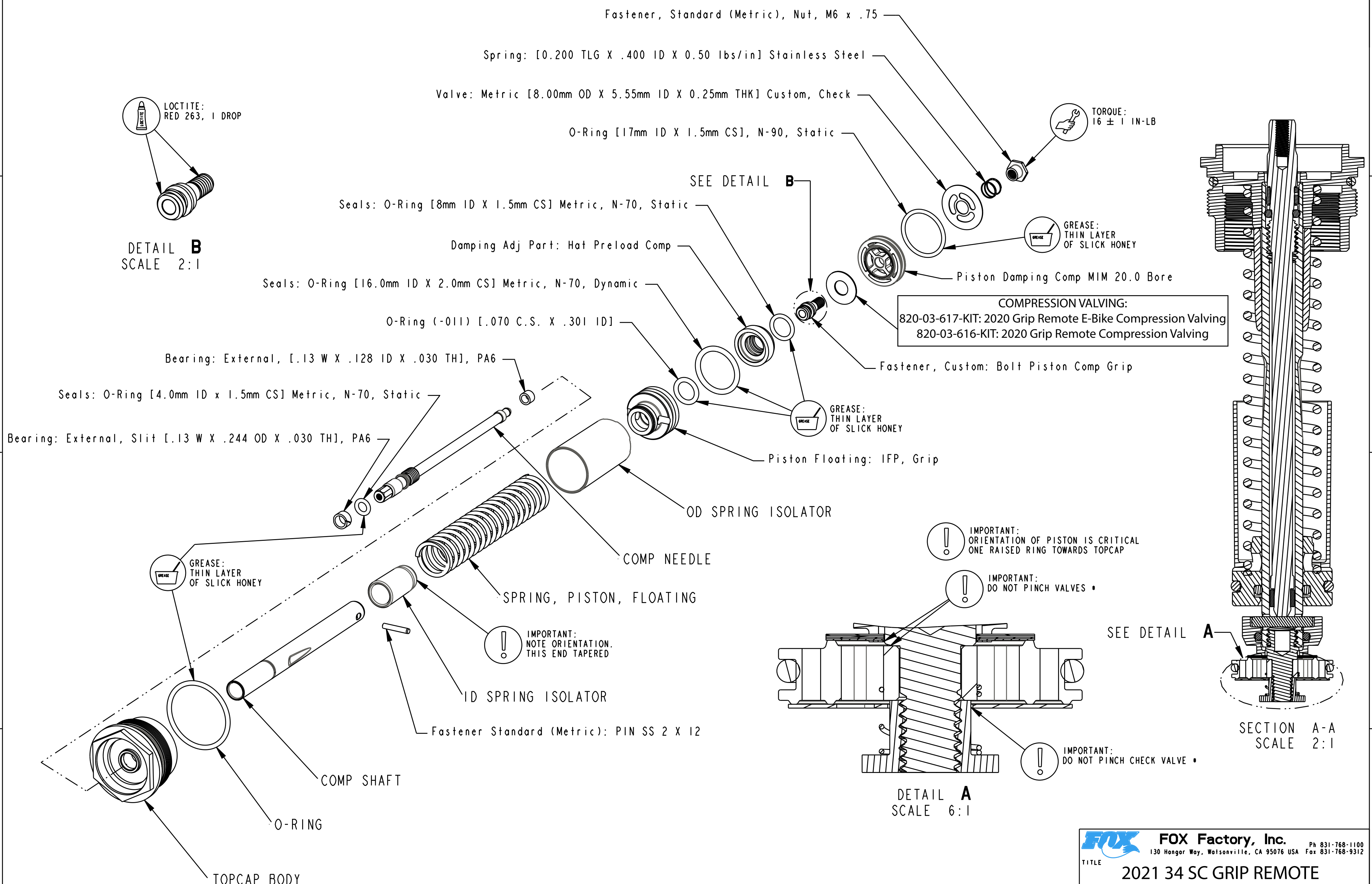
B

A

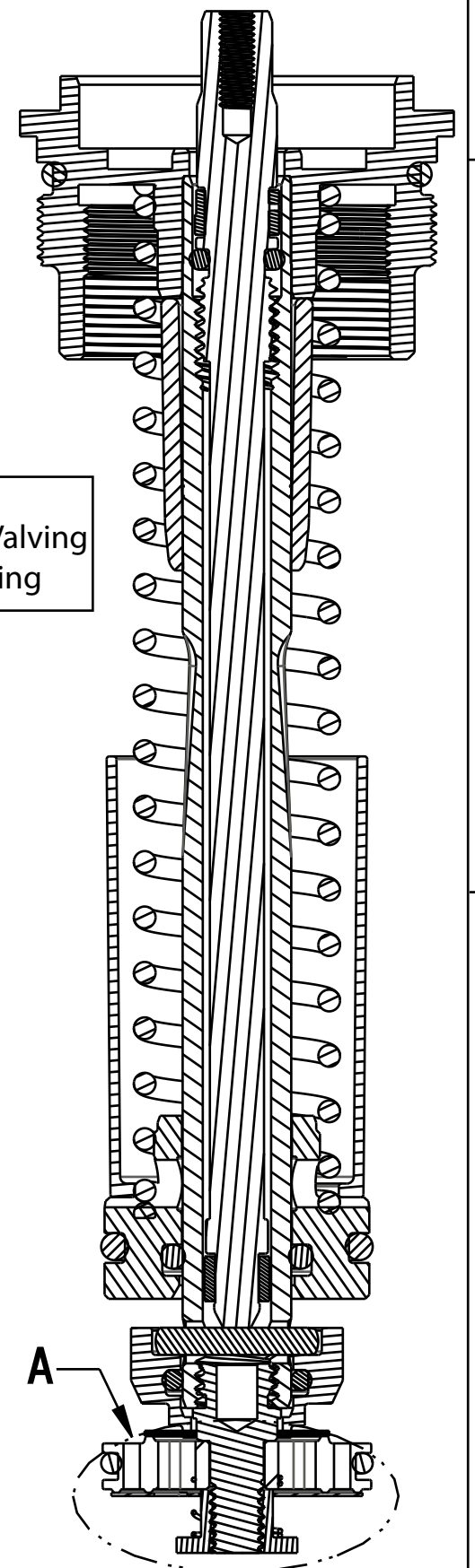
A



DETAIL B
SCALE 2:1



DETAIL A
SCALE 6:1



SECTION A-A
SCALE 2:1

- PROPRIETARY -
THIS DOCUMENT CONTAINS CONFIDENTIAL, PROPRIETARY INFORMATION
THAT IS FOX PROPERTY. DO NOT DISCLOSE TO OR DUPLICATE
FOR OTHERS EXCEPT AS AUTHORIZED BY FOX.

		FOX Factory, Inc.	Ph 831-768-1100
130 Hangar Way, Watsonville, CA 95076 USA		Fax 831-768-9312	
TITLE 2021 34 SC GRIP REMOTE TOPCAP ASSEMBLIES			
SIZE	DWG. NO.	C	
PLOT SCALE	1:1	SHEET 1 OF 1	