

4

3

2

1

D

D

C

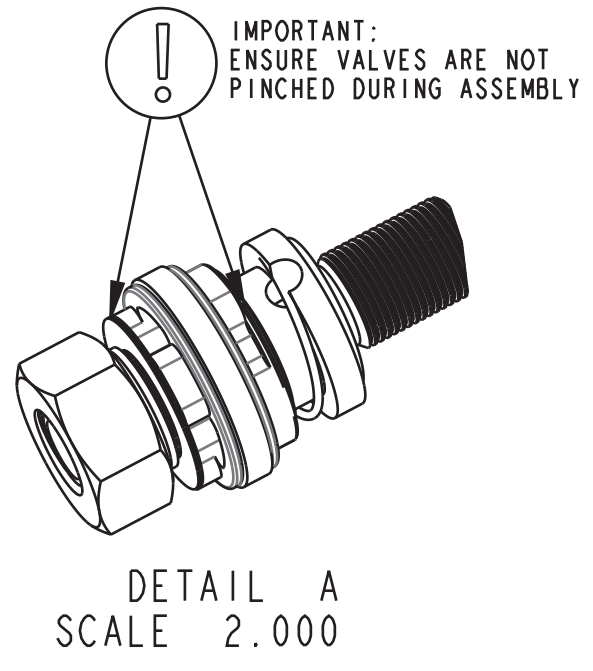
C

B

B

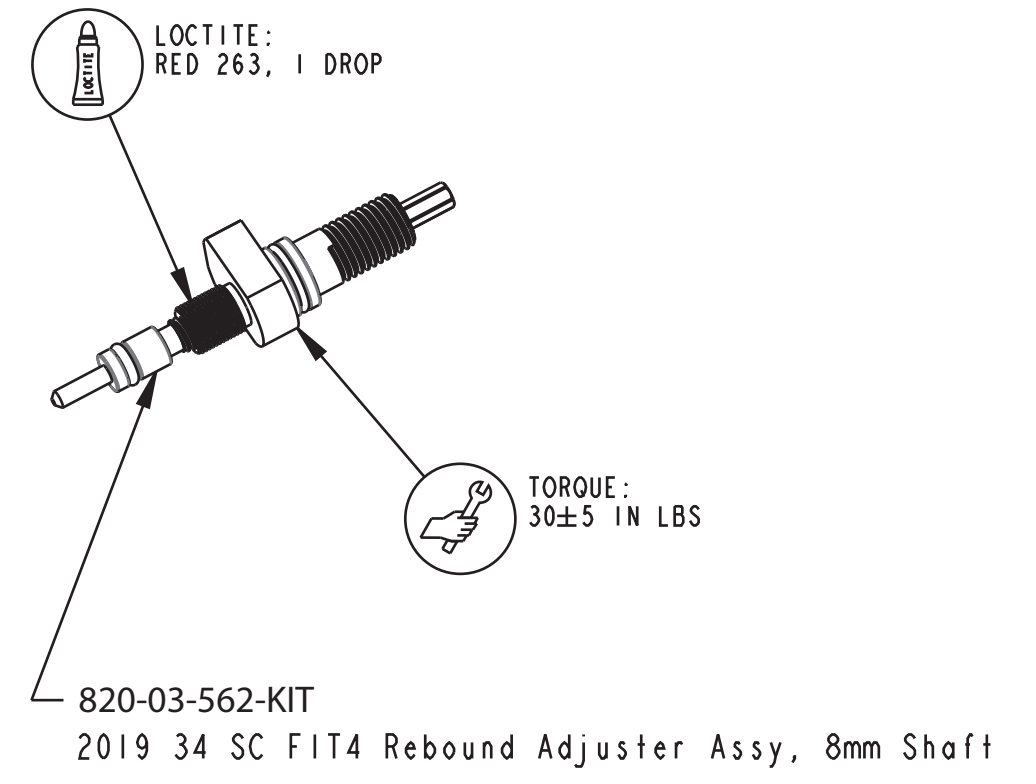
A

A



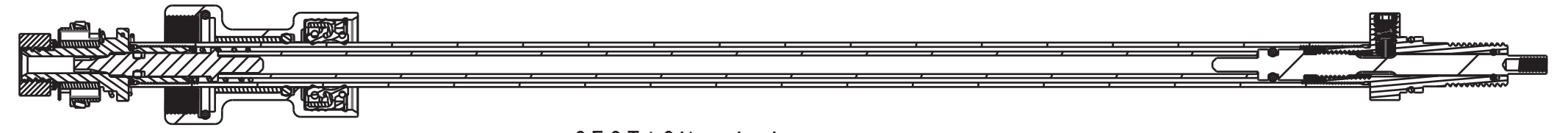
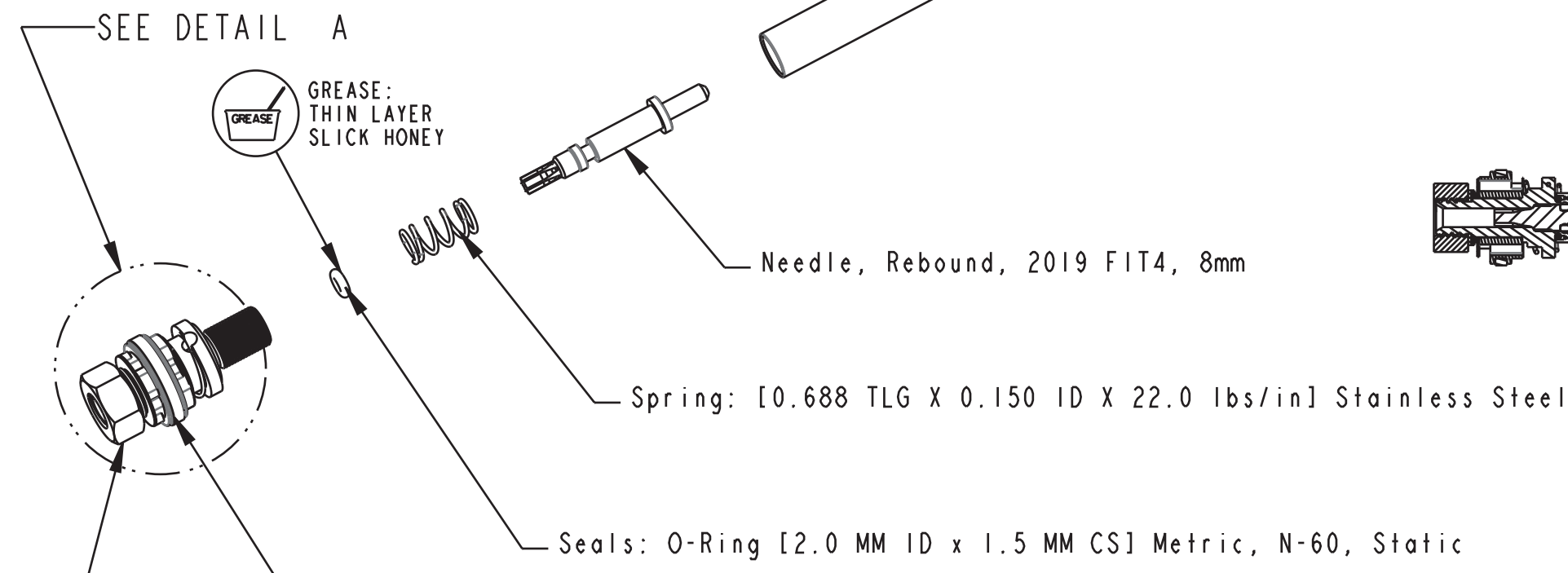
820-03-569-KIT  
Sealhead Assy, 2019 FIT [8mm, M17.56] Trelleborg, O-Ring

REBOUND TUBE



GREASE:  
THIN LAYER SLICK  
HONEY ON BULLET TOOL

DAMPER SHAFT



TORQUE:  
30±5 IN LBS

820-03-610-KIT  
2020 FIT4 Rebound Piston Assy, 8mm Shaft

PROPRIETARY  
THIS DOCUMENT CONTAINS CONFIDENTIAL, PROPRIETARY INFORMATION  
THAT IS FOX PROPERTY. DO NOT DISCLOSE TO OR DUPLICATE  
FOR OTHERS EXCEPT AS AUTHORIZED BY FOX.

<b>FOX</b>		<b>FOX Factory, Inc.</b>	Ph 831-768-1100
		130 Hangar Way, Watsonville, CA 95076 USA	Fax 831-768-9312
TITLE			
2020 34 SC 27.5in and 29in 120 Max			
FIT4 Damper Shaft Assy, 8mm Shaft			
SIZE DWG. NO.		820-03-619-KIT	
C			
PLOT SCALE   .00:1		SHEET   OF	

4

3

2

1

ProE ASSEM