

4

3

2

1

D

D

C

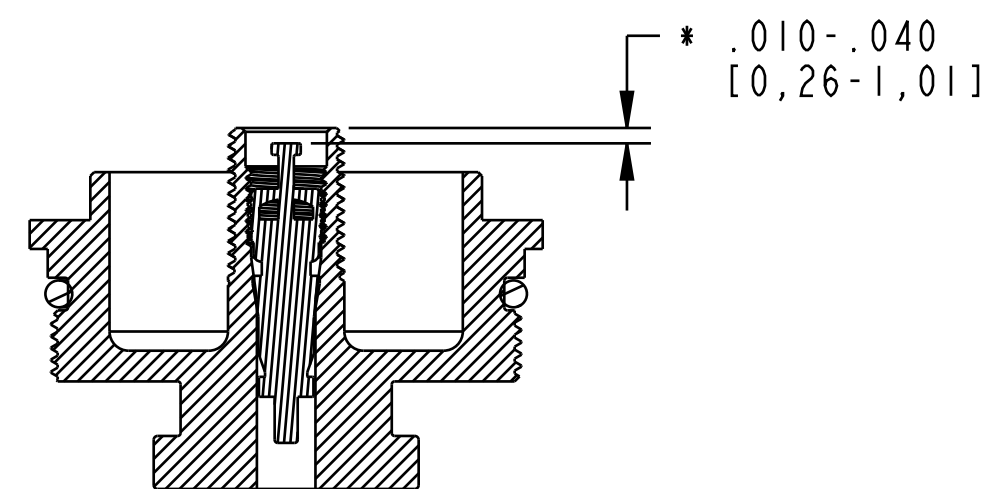
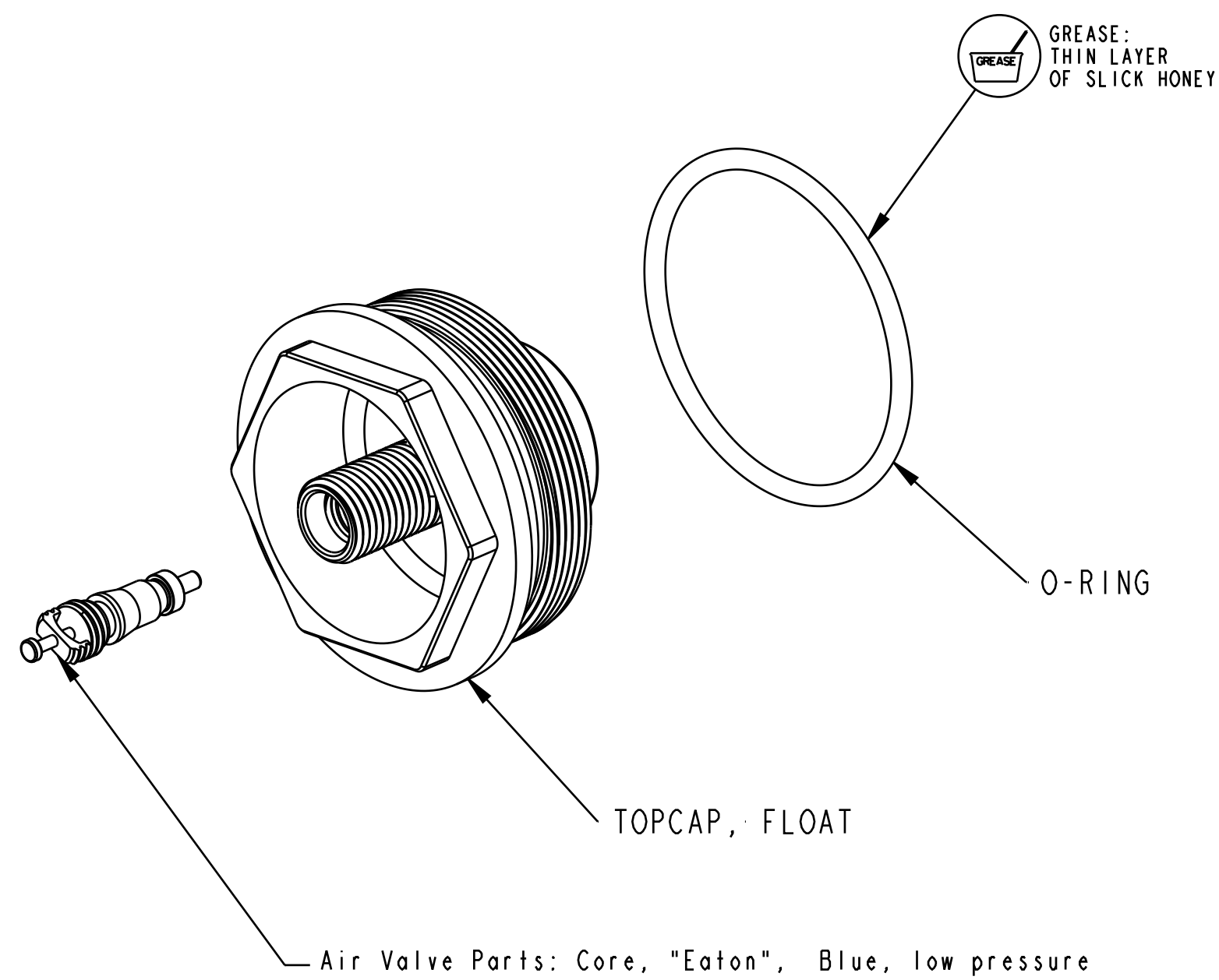
C

B

B

A

A



SECTION A-A

- PROPRIETARY -  
 THIS DOCUMENT CONTAINS CONFIDENTIAL, PROPRIETARY INFORMATION  
 THAT IS FOX PROPERTY. DO NOT DISCLOSE TO OR DUPLICATE  
 FOR OTHERS EXCEPT AS AUTHORIZED BY FOX.

|  |          |   |                  |
|--|----------|---|------------------|
| <b>FOX</b>                               |          | <b>FOX Factory, Inc.</b>                  | Ph 831-768-1100  |
|  |          | 130 Hangar Way, Watsonville, CA 95076 USA | Fax 831-768-9312 |
| TITLE<br><b>Topcap Assy, 2019, FLOAT</b> |          |   |                  |
| <b>LC NA 2, 34 SC, Black</b>             |          |   |                  |
| SIZE                                     | DWG. NO. | <b>820-05-500-KIT</b>                     |                  |
| <b>C</b>                                 |          |   |                  |
| PLOT SCALE 2.00:1                        |          | SHEET 1 OF 1                              |                  |

4

3

2

1