

4

3

2

1

D

D

C

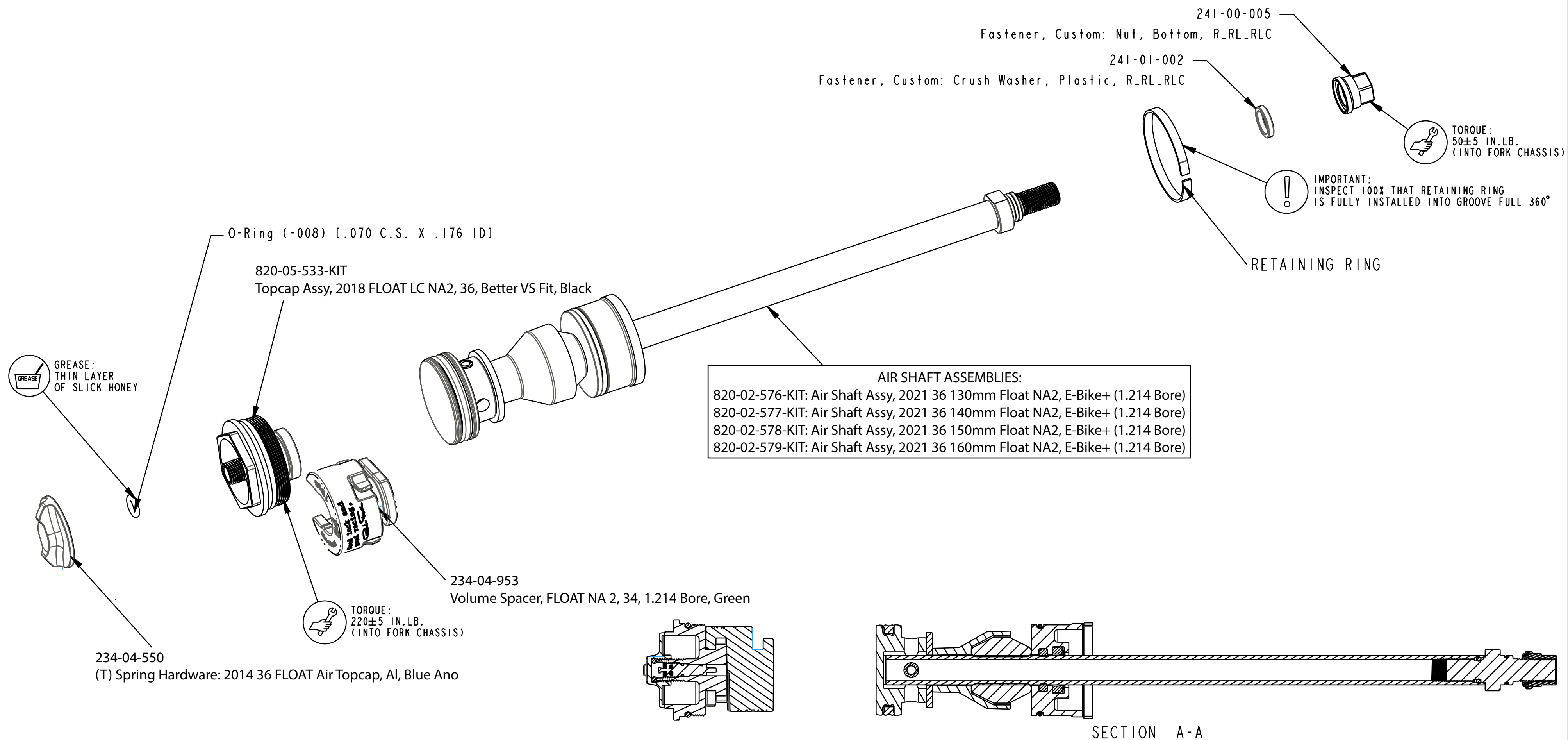
C

B

B

A

A



PROPRIETARY  
THIS DOCUMENT CONTAINS CONFIDENTIAL, PROPRIETARY INFORMATION  
THAT IS FOX PROPERTY. DO NOT DISCLOSE TO OR DUPLICATE  
FOR OTHERS EXCEPT AS AUTHORIZED BY FOX.

**FOX** **FOX Factory, Inc.** Ph 831-768-1100  
130 Hangar Way, Watsonville, CA 95076 USA Fax 831-768-9312

TITLE  
**2021 36 E-BIKE+ FLOAT NA2  
AIR SPRING ASSEMBLIES**

SIZE DWG. NO.  
**C**

PLOT SCALE | .00:1 | SHEET | OF |