

4

3

2

1

D

D

C

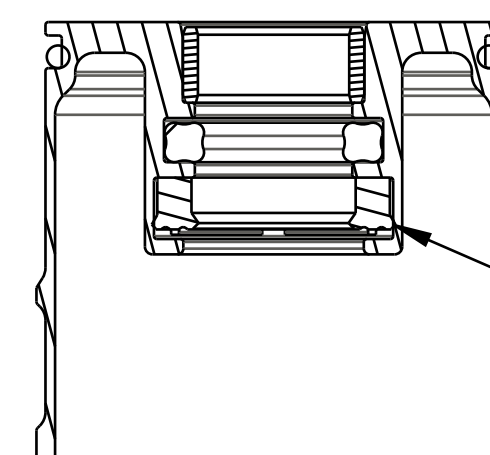
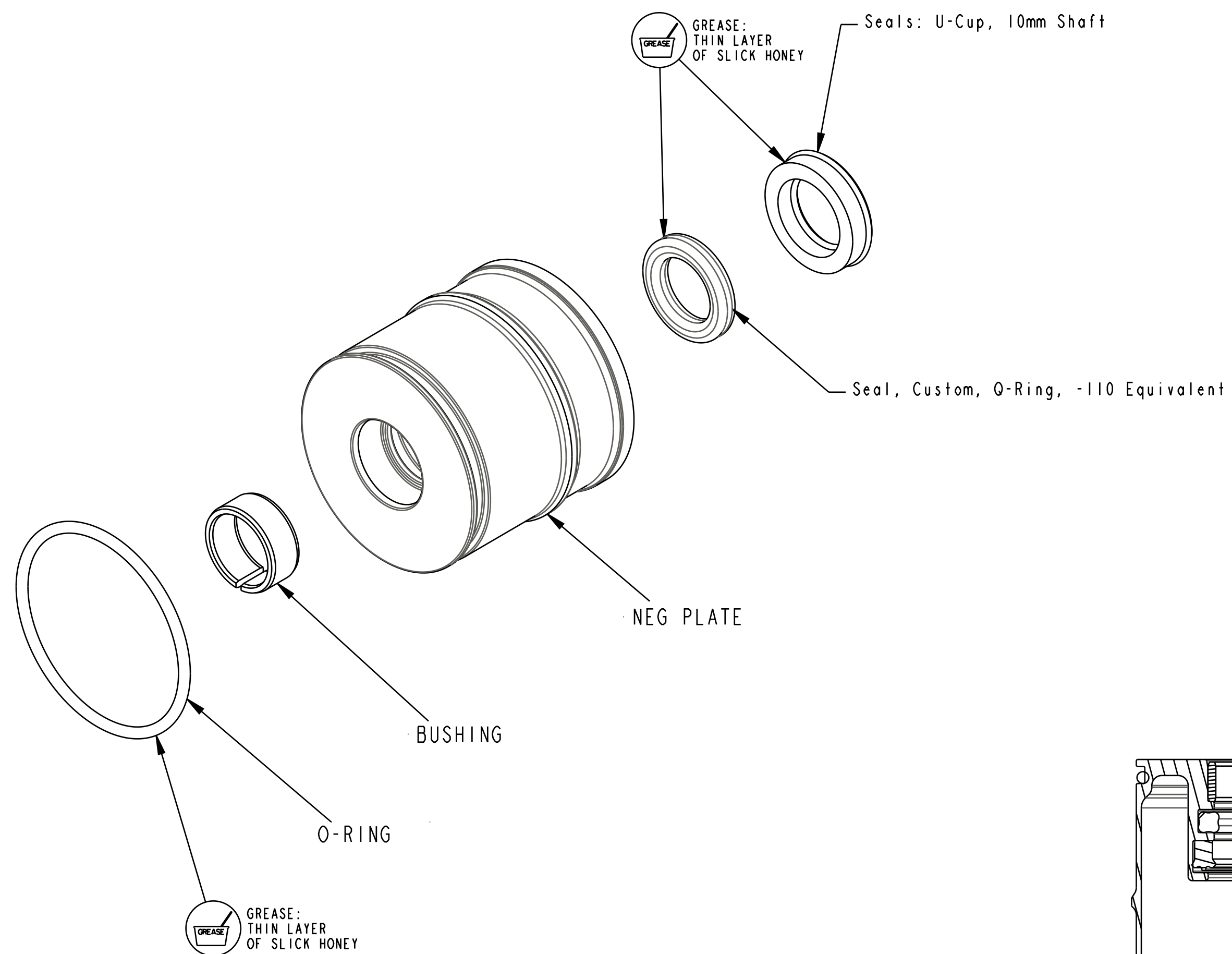
C

B

B

A

A



SECTION A-A

IMPORTANT:
NOTE ORIENTATION
OF U-CUP SEAL

PROPRIETARY
THIS DOCUMENT CONTAINS CONFIDENTIAL, PROPRIETARY INFORMATION
THAT IS FOX PROPERTY. DO NOT DISCLOSE TO OR DUPLICATE
FOR OTHERS EXCEPT AS AUTHORIZED BY FOX.

		FOX Factory, Inc.	Ph 831-768-1100
		130 Hangar Way, Watsonville, CA 95076 USA	Fax 831-768-9312
TITLE			
Neg Plate Subassembly, 2019 36 E-Bike+			
Float NA2, All Travels, 1.214" Bore, Aluminum			
SIZE	DWG. NO.		
C	820-02-588-KIT		
PLOT SCALE 2.00:1		SHEET 1 OF 1	

4

3

2

1