

4

3

2

1

Air Valve Parts: Ball [Ø 0.1094] E52100 Grade 25 Steel, Chrome

Spring: [0.125 TLG X 0.125 OD X 50.00 lbs/in] Music Wire, Zinc plated

GREASE:
THIN LAYER
OF SLICK HONEY

BASE STUD O-RING

Seals: O-Ring [3.5mm ID x 1.5mm CS] Metric, N-70, Static

TORQUE:
30±5 IN LBS

BASE STUD

LOCTITE:
RED 263, 1 DROP

REBOUND NEEDLE

DAMPER SHAFT

Seals: O-Ring [2.0mm ID X 1.5mm CS] Metric, N-60, Static

GREASE:
THIN LAYER
OF SLICK HONEY

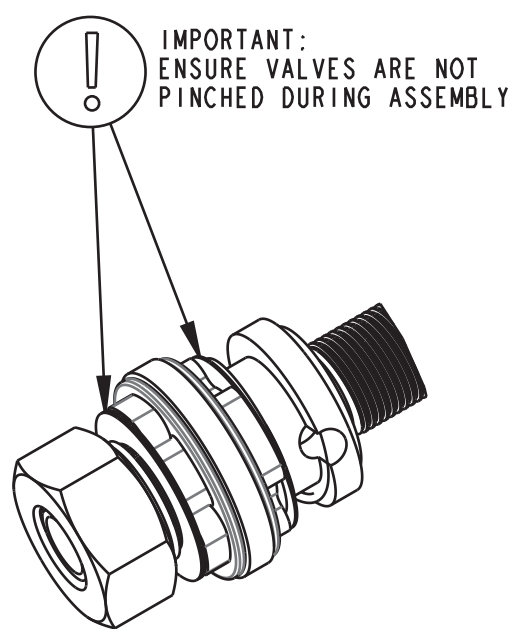
SEE DETAIL A

TORQUE:
30±5 IN LBS

820-03-610-KIT
2020 FIT4 Rebound Piston Assy, 8mm Shaft

820-03-569-KIT
Sealhead Assy, 2019 FIT [8mm, M17.56]
Trelleborg, O-ring

SECTION A-A



DETAIL A
SCALE 2:1



GREASE:
THIN LAYER OF BLUE MARINE
GREASE ON FULL 360° OF THREAD



IMPORTANT:
NO GREASE IN
DETENT GROOVES



GREASE:
THIN LAYER
OF SLICK HONEY

BASE STUD O-RING

Seals: O-Ring [3.5mm ID x 1.5mm CS] Metric, N-70, Static

TORQUE:
30±5 IN LBS

BASE STUD

LOCTITE:
RED 263, 1 DROP

REBOUND NEEDLE

DAMPER SHAFT

Seals: O-Ring [2.0mm ID X 1.5mm CS] Metric, N-60, Static

GREASE:
THIN LAYER
OF SLICK HONEY

SEE DETAIL A

TORQUE:
30±5 IN LBS

820-03-610-KIT
2020 FIT4 Rebound Piston Assy, 8mm Shaft

820-03-569-KIT
Sealhead Assy, 2019 FIT [8mm, M17.56]
Trelleborg, O-ring

SECTION A-A

PROPRIETARY
THIS DOCUMENT CONTAINS CONFIDENTIAL, PROPRIETARY INFORMATION
THAT IS FOX PROPERTY. DO NOT DISCLOSE TO OR DUPLICATE
FOR OTHERS EXCEPT AS AUTHORIZED BY FOX.

		FOX Factory, Inc.	Ph 831-768-1100
		130 Hangar Way, Watsonville, CA 95076 USA	Fax 831-768-9312
TITLE		2020 36 FIT4	
		8mm Damper Shaft Assy	
SIZE	DWG. NO.	820-03-606-KIT	
C			
PLOT SCALE	1:1	SHEET 1 OF 1	