

4

3

2

1

D

D

C

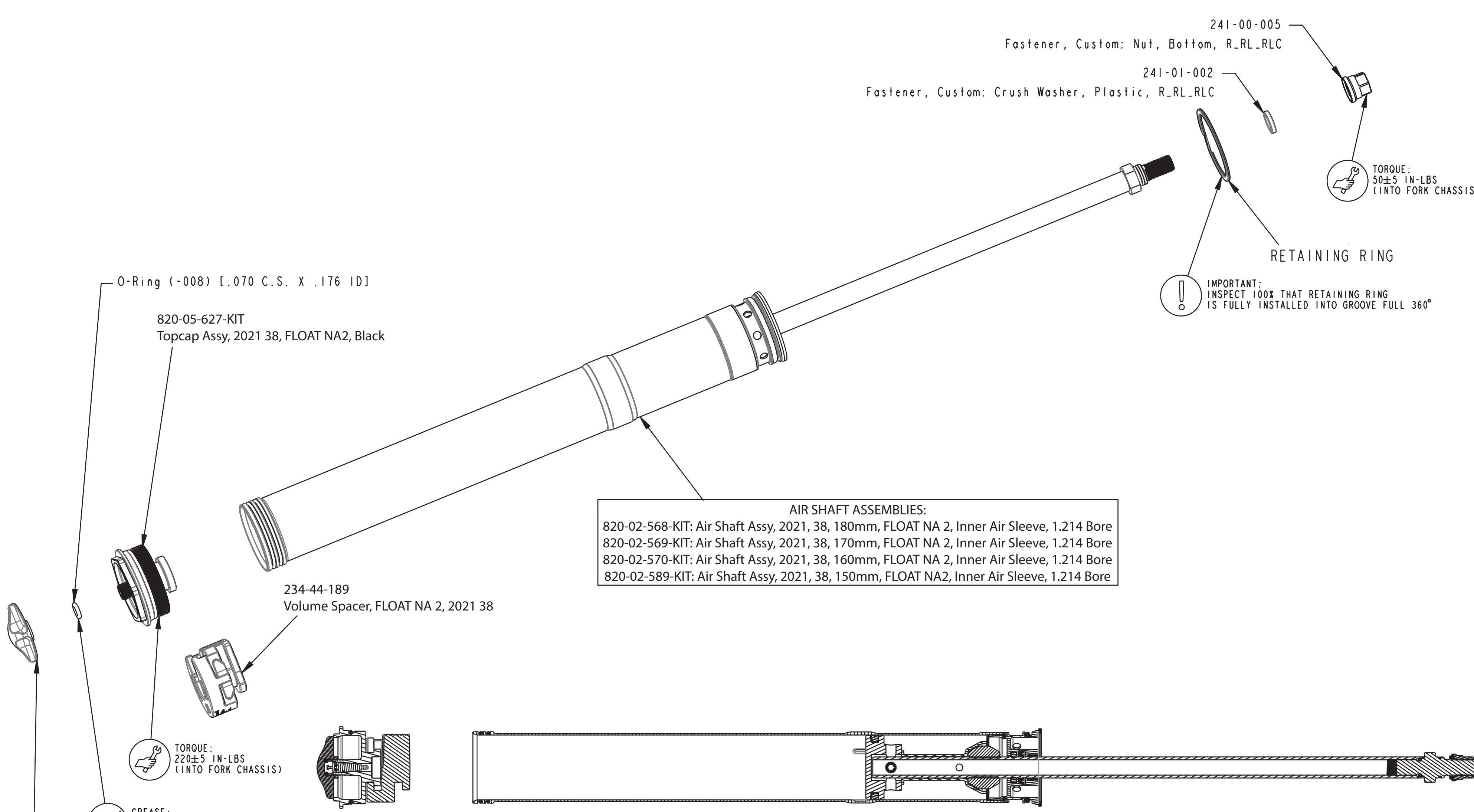
C

B

B

A

A



234-04-554  
(T) Spring Hardware: 2021 38 FLOAT Air Topcap, Al, Blue Ano

TORQUE:  
220±5 IN-LBS  
(INTO FORK CHASSIS)

GREASE:  
THIN LAYER  
OF SLICK HONEY

**AIR SHAFT ASSEMBLIES:**  
 820-02-568-KIT: Air Shaft Assy, 2021, 38, 180mm, FLOAT NA 2, Inner Air Sleeve, 1.214 Bore  
 820-02-569-KIT: Air Shaft Assy, 2021, 38, 170mm, FLOAT NA 2, Inner Air Sleeve, 1.214 Bore  
 820-02-570-KIT: Air Shaft Assy, 2021, 38, 160mm, FLOAT NA 2, Inner Air Sleeve, 1.214 Bore  
 820-02-589-KIT: Air Shaft Assy, 2021, 38, 150mm, FLOAT NA2, Inner Air Sleeve, 1.214 Bore

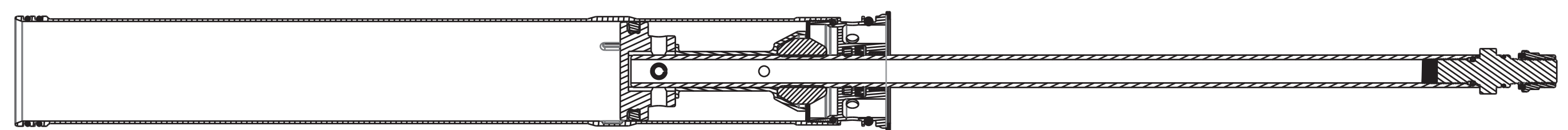
241-00-005  
Fastener, Custom: Nut, Bottom, R\_RL\_RLC

241-01-002  
Fastener, Custom: Crush Washer, Plastic, R\_RL\_RLC

TORQUE:  
50±5 IN-LBS  
(INTO FORK CHASSIS)

RETAINING RING

IMPORTANT:  
INSPECT 100% THAT RETAINING RING  
IS FULLY INSTALLED INTO GROOVE FULL 360°



SECTION A-A

- PROPRIETARY -  
THIS DOCUMENT CONTAINS CONFIDENTIAL, PROPRIETARY INFORMATION  
THAT IS FOX PROPERTY. DO NOT DISCLOSE TO OR DUPLICATE  
FOR OTHERS EXCEPT AS AUTHORIZED BY FOX.

<b>FOX</b>		<b>FOX Factory, Inc.</b>		Ph 831-768-1100
130 Hangar Way, Watsonville, CA 95076 USA		Fox 831-768-9312		
TITLE <b>2021 38 E-BIKE+ FLOAT NA2 AIR SPRING ASSEMBLIES</b>				
SIZE	DWG. NO.			
<b>C</b>				
PLOT SCALE	NONE	SHEET 1 OF 1		

4

3

2

1

Pr oE ASSEM