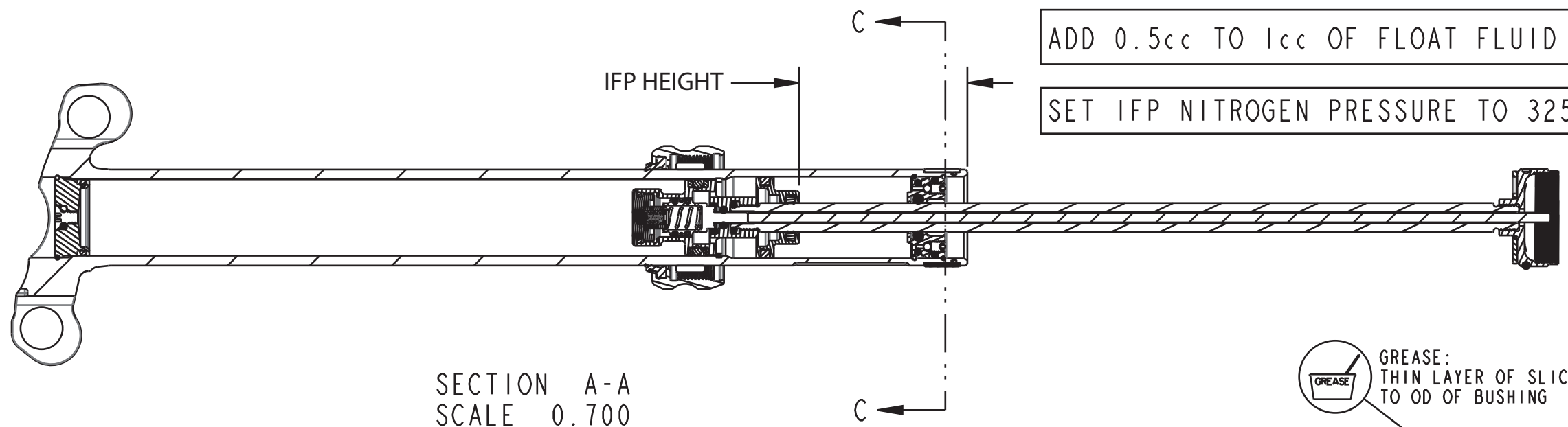


4

3

2

1

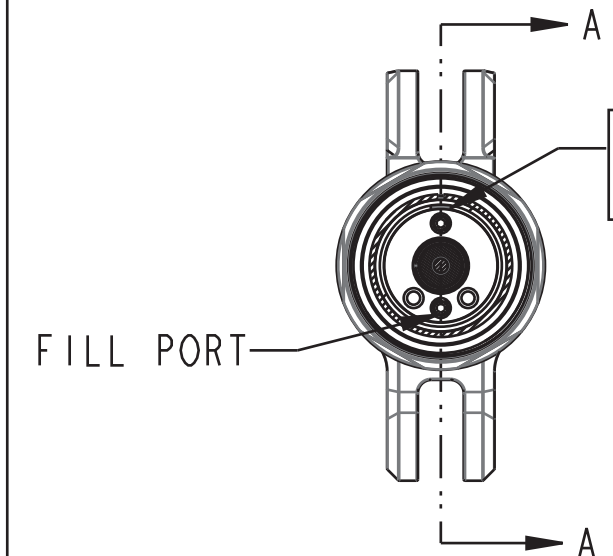


ADD 0.5cc TO 1cc OF FLOAT FLUID TO IFP CHAMBER  
 SET IFP NITROGEN PRESSURE TO 325±10 PSI.

SET IFP HEIGHT PER TABLE

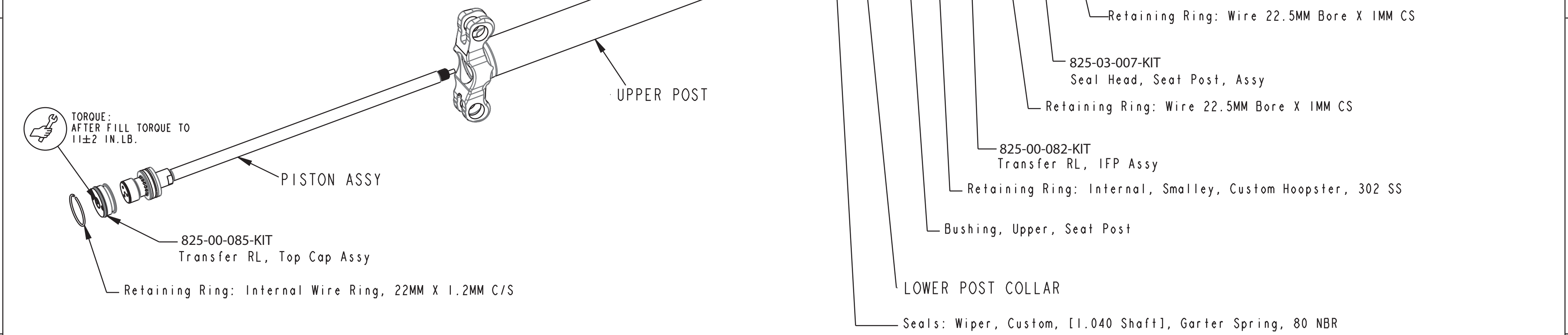
| TRAVEL     | IFP HEIGHT |
|------------|------------|
| 4" / 100mm | 1.48       |
| 5" / 125mm | 1.65       |
| 6" / 150mm | 1.82       |
| 7" / 175mm | 2.00       |

SECTION A-A  
SCALE 0.700



SEAL HEAD FILL PORT SHALL BE POSITIONED 180° FROM RETAINING RING SPLIT AFTER INSTALLATION.

SECTION C-C  
SCALE 0.700



PROPRIETARY - THIS DOCUMENT CONTAINS CONFIDENTIAL, PROPRIETARY INFORMATION THAT IS FOX PROPERTY. DO NOT DISCLOSE TO OR DUPLICATE FOR OTHERS EXCEPT AS AUTHORIZED BY FOX.

**FOX** FOX Factory, Inc. Ph 831-768-1100  
 130 Hangar Way, Watsonville, CA 95076 USA Fax 831-768-9312

TITLE  
**2021 TRANSFER UPPER POST**

SIZE DWG. NO.  
**C**

PLOT SCALE 0.70:1 SHEET 1 OF 1