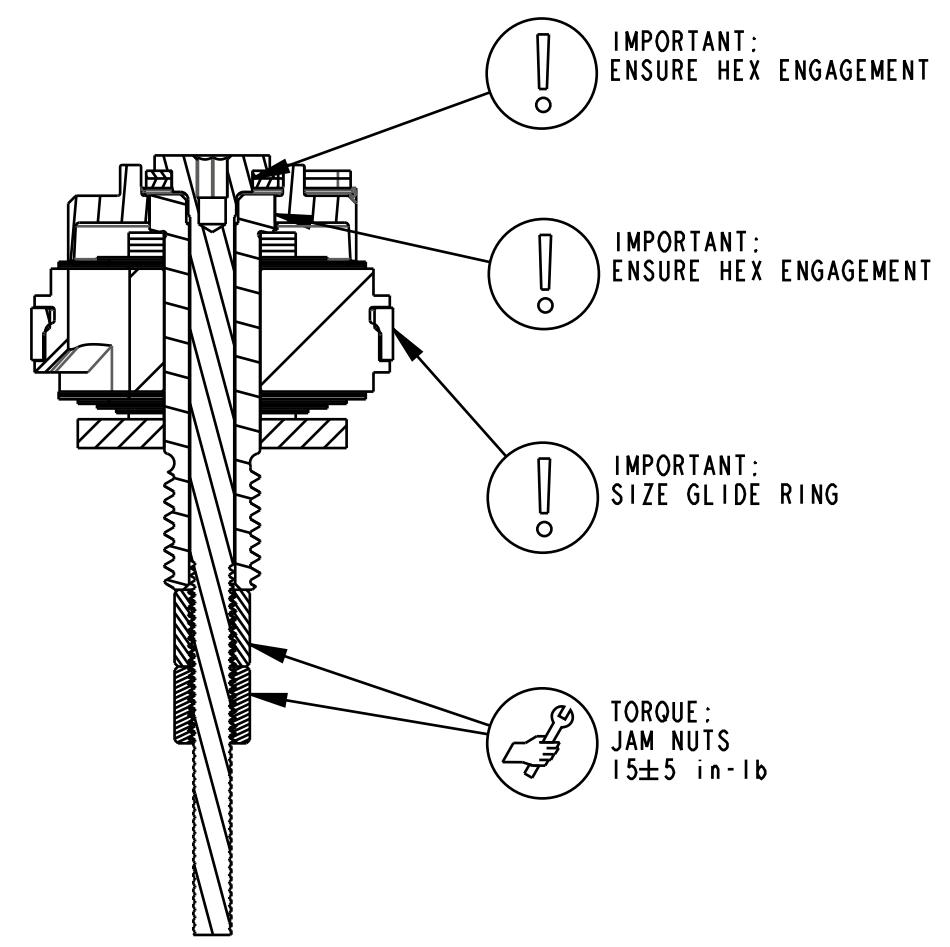
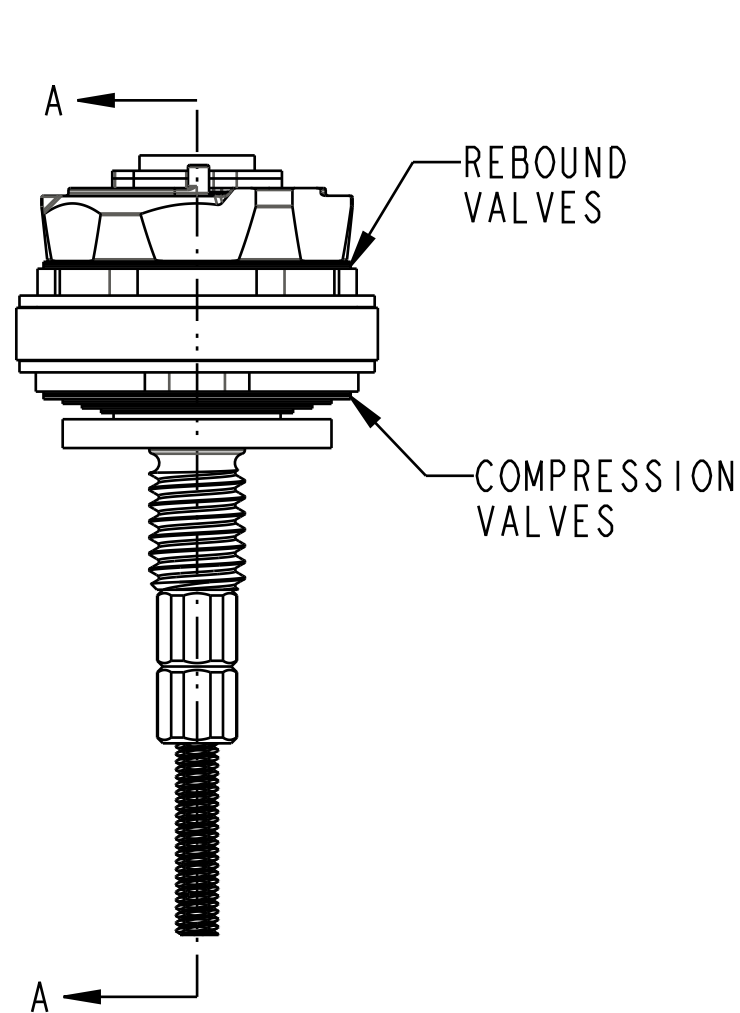


4

3

2

1



IMPORTANT: PISTON HAS ORIENTATION: 3 SINGLE PORTS FACE RBD VALVES

SECTION A-A

Bearing: External [.136 W x .941 OD x .031 TH] W/Step

Fastener: Custom, (Metric): [M3x0.5] Nut

Fastener: Custom, (Metric): [M3x0.5] Nut

Plate: HSR, DHX2, VVC

Spring, Leaf, HSR, VVC, .025 THK

Spring, Leaf, HSR, VVC, .020 THK

Bolt: Main Piston, VVC [.25-28]

Adjuster: HSR, VVC

Spacer: Topout Plate [.250 ID x .700 OD x .070 THK] Steel

COMPRESSION VALVES

Piston: Damping, Main [Ø.940 Bore], 2021 DHX2 / FX2, VVC

REBOUND VALVES

FOX FOX Factory, Inc. Ph 831-768-1100
130 Hangar Way, Watsonville, CA 95076 USA Fax 831-768-9312

TITLE Piston Assy: 2021 Shock, Main, HSR Adjust [Ø.940 Bore]

SIZE DWG. NO. **C** 805-02-310-KIT

PLOT SCALE 2:1 SHEET 1 OF 2

- PROPRIETARY -
THIS DOCUMENT CONTAINS CONFIDENTIAL, PROPRIETARY INFORMATION
THAT IS FOX PROPERTY. DO NOT DISCLOSE TO OR DUPLICATE
FOR OTHERS EXCEPT AS AUTHORIZED BY FOX.

4

3

2

ProE ASSEM