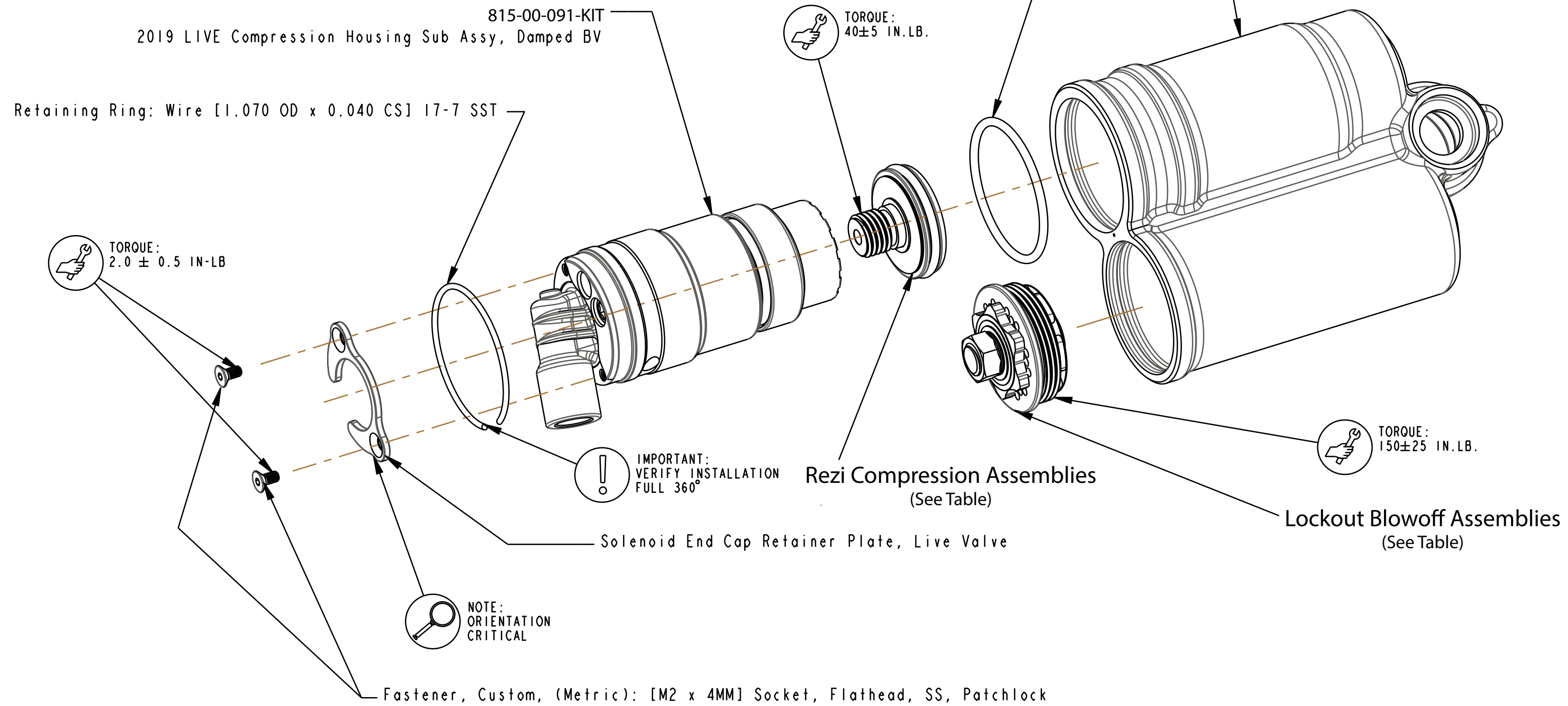


SECTION A-A

Reservoir: 2019 LIVE Shock, [0.940 IFP Bore] 6061-T6, Black Ano III

Seals: O-Ring [24.0MM ID x 1.5MM CS] Metric, N-70, Static



815-00-091-KIT
2019 LIVE Compression Housing Sub Assy, Damped BV

Retaining Ring: Wire [1.070 OD x 0.040 CS] 17-7 SST

TORQUE:
40±5 IN.LB.

TORQUE:
2.0 ± 0.5 IN-LB

IMPORTANT:
VERIFY INSTALLATION
FULL 360°

Rezi Compression Assemblies
(See Table)

TORQUE:
150±25 IN.LB.

Lockout Blowoff Assemblies
(See Table)

Solenoid End Cap Retainer Plate, Live Valve

NOTE:
ORIENTATION
CRITICAL

Fastener, Custom, (Metric): [M2 x 4MM] Socket, Flathead, SS, Patchlock

Bike	Rezi Compression Assemblies	Lockout Blowoff Assemblies
2022_21 Simplon Rapcon Pmax	815-02-056-KIT	815-02-222-KIT
2021 Giant Trance X Adv Pro 29 0	815-02-089-KIT	815-02-131-KIT
2021 Pivot Mach 5.5	815-02-056-KIT	815-02-131-KIT
2021 Pivot Switchblade	815-02-056-KIT	815-02-131-KIT
2021_20,19,18, Giant Anthem Advanced Pro 29	815-02-056-KIT	815-02-130-KIT
2021_20,19,18, Scott Genius	815-02-056-KIT	815-02-122-KIT
2021_20,19,18, Scott Spark/Spark RC	815-02-056-KIT	815-02-130-KIT
2021_20,19, Rocky Mountain Altitude Carbon	815-02-089-KIT	815-02-131-KIT
2021_20,19,18, Rocky Mountain Instinct Carbon	815-02-089-KIT	815-02-131-KIT
2021_20,19,18, Rocky Mountain Thunderbolt Carbon	815-02-089-KIT	815-02-131-KIT
2021_20,19,18, Giant Reign Advanced 27.5	815-02-056-KIT	815-02-130-KIT
2021_20, Pivot Mach 4 SL	815-02-089-KIT	815-02-130-KIT

- PROPRIETARY -
THIS DOCUMENT CONTAINS CONFIDENTIAL, PROPRIETARY INFORMATION
THAT IS FOX PROPERTY. DO NOT DISCLOSE TO OR DUPLICATE
FOR OTHERS EXCEPT AS AUTHORIZED BY FOX.

FOX FOX Factory, Inc. Ph 831-768-1100
130 Hangar Way, Watsonville, CA 95076 USA Fax 831-768-9312

TITLE
Reservoir Assy,
Live Valve

SIZE DWG. NO. **C** 810-11-205-KIT

PLOT SCALE | .50:1 | SHEET | OF | 1