

4

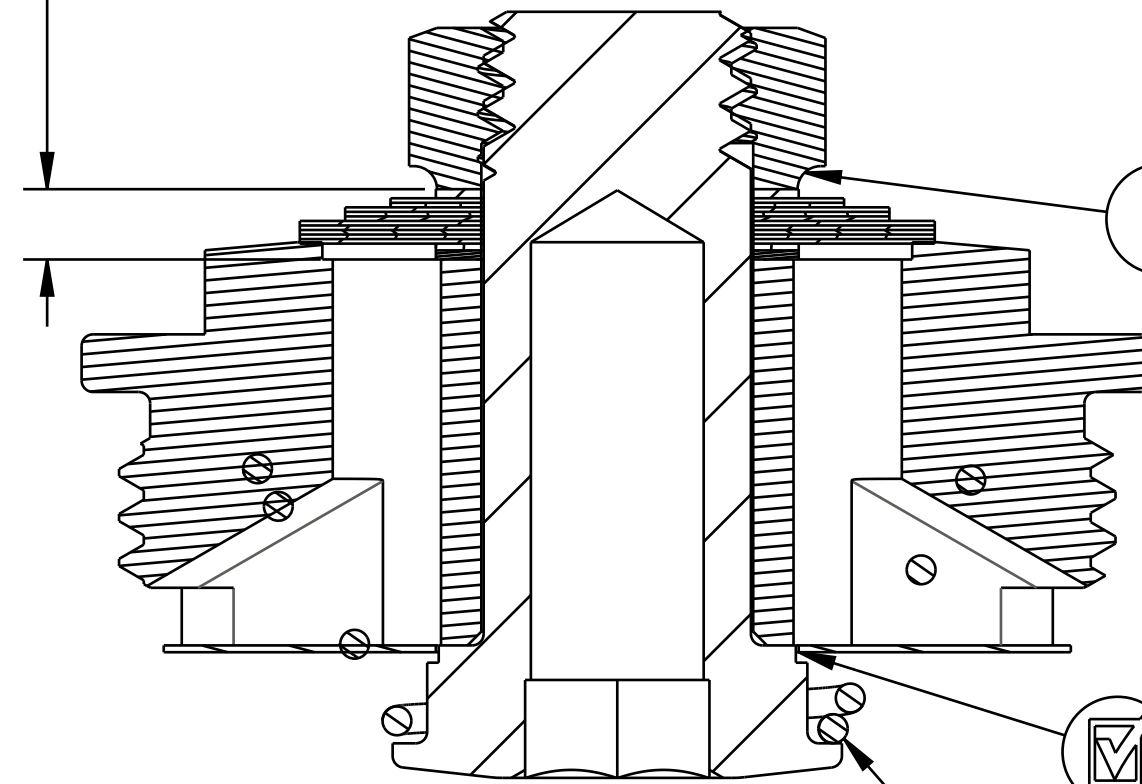
3

2

1

.057-.063 VALVE STACK HEIGHT
[1,45-1,60]

Spring: Conical, LIVE Shock, Check [1.25TLG, 3lbf/in, .34in ID X .64in ID], 302 S



! IMPORTANT:
ORIENT AS SHOWN
ROUNDED SIDE TOWARD VALVES

✓ CHECK:
ENSURE VALVE LIFTS
FREELY AFTER TORQUE

✓ CHECK:
ENSURE SPRING IS FULLY CAPTURED
UNDER BOLT FLANGE

SECTION A-A
SCALE 6:1

039-00-386

210-24-228
Bolt: HSC piston, 2017 LIVE Shock, M6 X 1, SS

NOTE:
ALTERNATE ASSEMBLY: SPRING CAN BE INSTALLED AFTER TORQUE
TO MAKE VALVE STACK ASSEMBLY EASIER

045-15-820
Valve: Metric [20.0mm OD X 8.0mm ID X 0.15mm TH]

222-01-308
Piston: HSC, Reservoir IFP Side, 2017 LIVE Shock, M22 X 1 [.930 OD X 6mm ID]

045-20-608
Valve: Metric [8.0mm OD X 6.0mm ID X 0.20mm TH]

045-15-608
Valve: Metric [8.0mm OD X 6.0mm ID X 0.15mm TH]

045-10-614
Valve: Metric [14.0mm OD X 6.0mm ID X 0.10mm TH]

(045-10-614)

045-10-612
Valve: Metric [12.0mm OD X 6.0mm ID X 0.10mm TH]

(045-10-612)

045-10-610
Valve: Metric [10.0mm OD X 6.0mm ID X 0.10mm TH]

(045-20-608)

TORQUE:
40±5 IN-LB

019-02-026
Fastener, Custom (Metric): Nut, [M6 x 1.0], 2017 LIVE, SS

FOX FOX Factory, Inc. Ph 831-768-1100
130 Hangar Way, Watsonville, CA 95076 USA Fax 831-768-9312

TITLE
Damping Adj Assy:
Live Shock, Lockout Blowoff, LBM

SIZE DWG. NO. C 815-02-222-KIT

PLOT SCALE 2:1 SHEET 1 OF 1

PROPRIETARY
THIS DOCUMENT CONTAINS CONFIDENTIAL, PROPRIETARY INFORMATION
THAT IS FOX PROPERTY. DO NOT DISCLOSE TO OR DUPLICATE
FOR OTHERS EXCEPT AS AUTHORIZED BY FOX.

4

3

2

ProE ASSEM