

4

3

2

1

D

D

C

C

B

B

A

A

ASSEMBLE 002-02-011 AT THIS LEVEL

Retaining Ring: Wire [.280 OD X .024 CS] SS

Compression Adjust Coupler, F-S, FIT4

820-05-658-KIT
2021 32 SC FIT4 Topcap Assy, 3 Pos Adj

TORQUE:
55±5 IN LBS

820-03-574-KIT
2019 32 SC 27.5in and 29in 100 Max FIT4
Damper Shaft Assy, 8mm Shaft

TORQUE:
55±5 IN LBS

820-03-281-KIT
2017 32 27.5in and 29in 80-100 FIT4 Lightweight, Bladder Assy

Seals: O-Ring [3.0MM ID x 1.5MM CS] Metric, N-70, Static

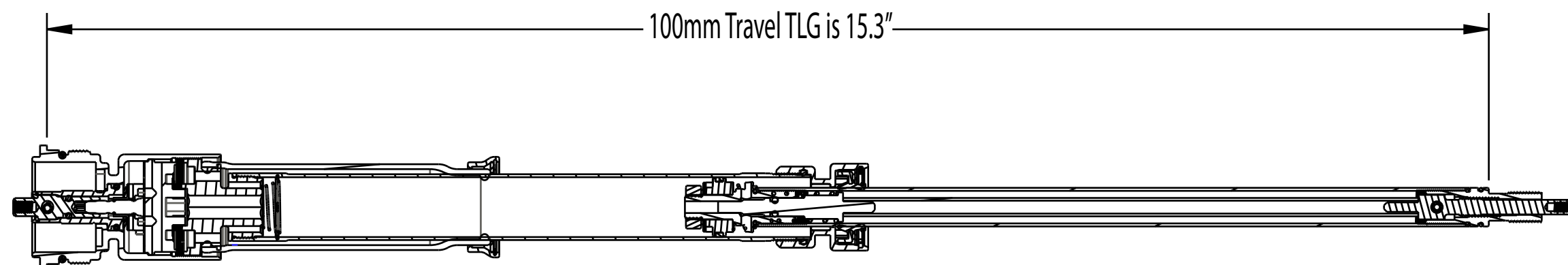
Spring: Detent [.138 TLG, .087 OD, 48 lb/in]

Ball [Ø.1094]

GREASE:
THIN LAYER OF
SLICK HONEY ON BALL

ASSEMBLE THESE PARTS AFTER OIL FILL

100mm Travel TLG is 15.3"



SECTION A-A
SCALE 0.750

- PROPRIETARY -
THIS DOCUMENT CONTAINS CONFIDENTIAL, PROPRIETARY INFORMATION
THAT IS FOX PROPERTY. DO NOT DISCLOSE TO OR DUPLICATE
FOR OTHERS EXCEPT AS AUTHORIZED BY FOX.

FOX **FOX Factory, Inc.**
130 Hangar Way, Watsonville, CA 95076 USA
Ph 831-768-1100 Fax 831-768-9312

TITLE
**2021 32 SC 100 MAX
FIT4 3 Pos Adj Cart Assy**

SIZE DWG. NO.

C

PLOT SCALE 1.0:1

SHEET 1 OF 1

4

3

2

1

Pr oE ASSEM