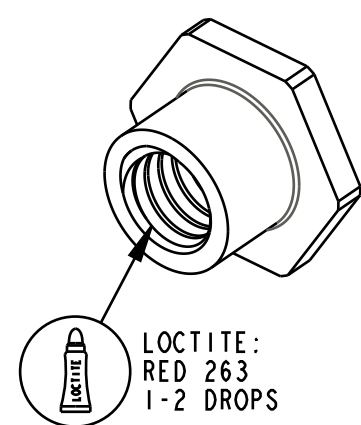


4

3

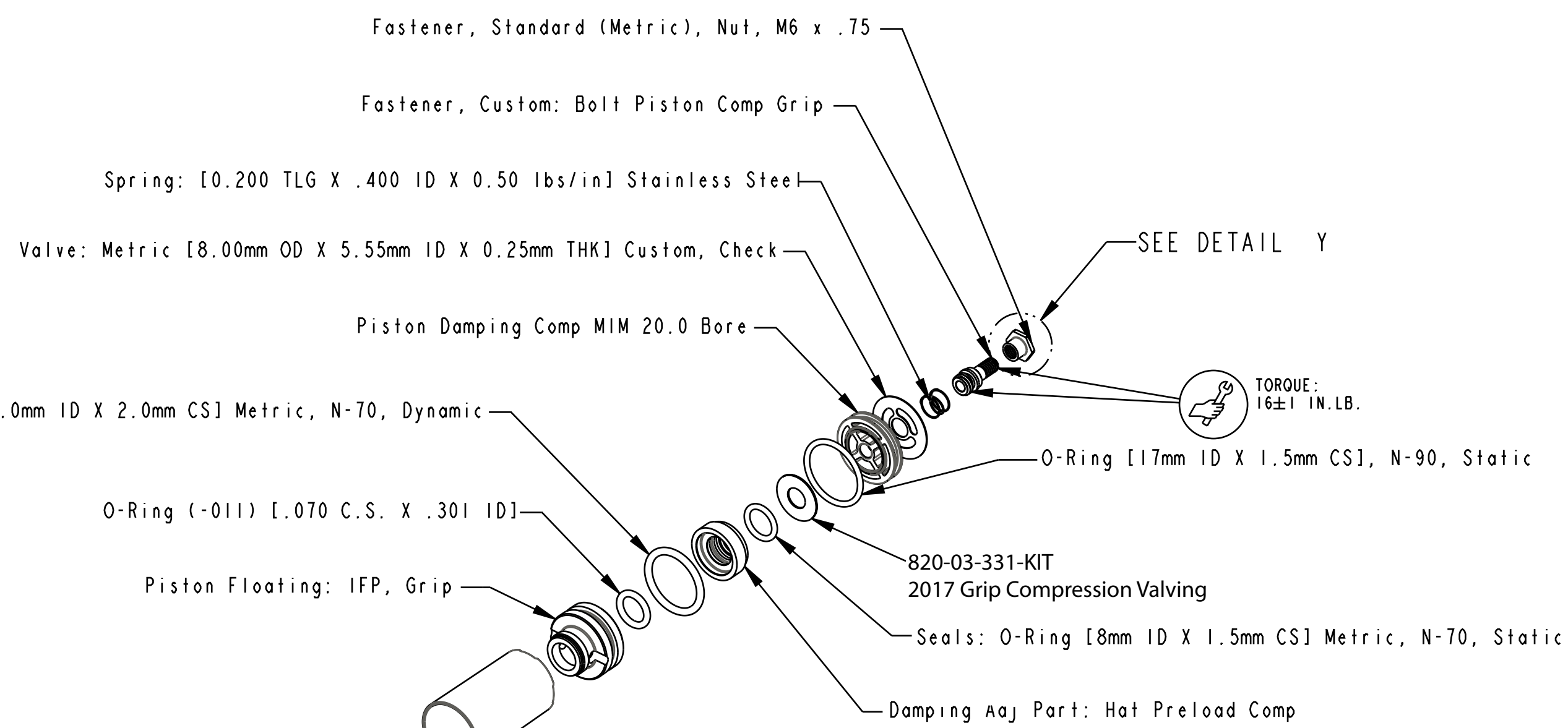
2

1

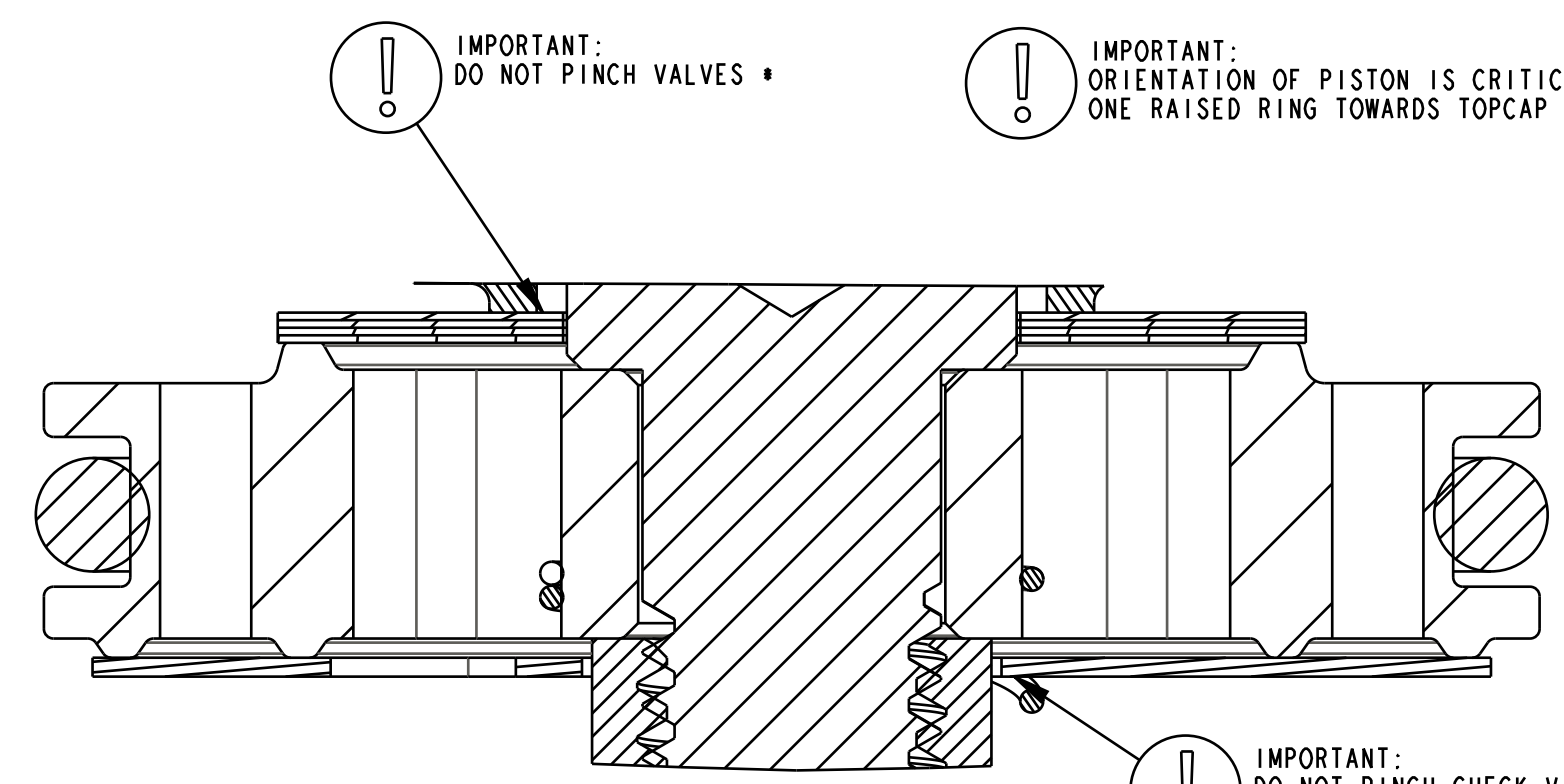
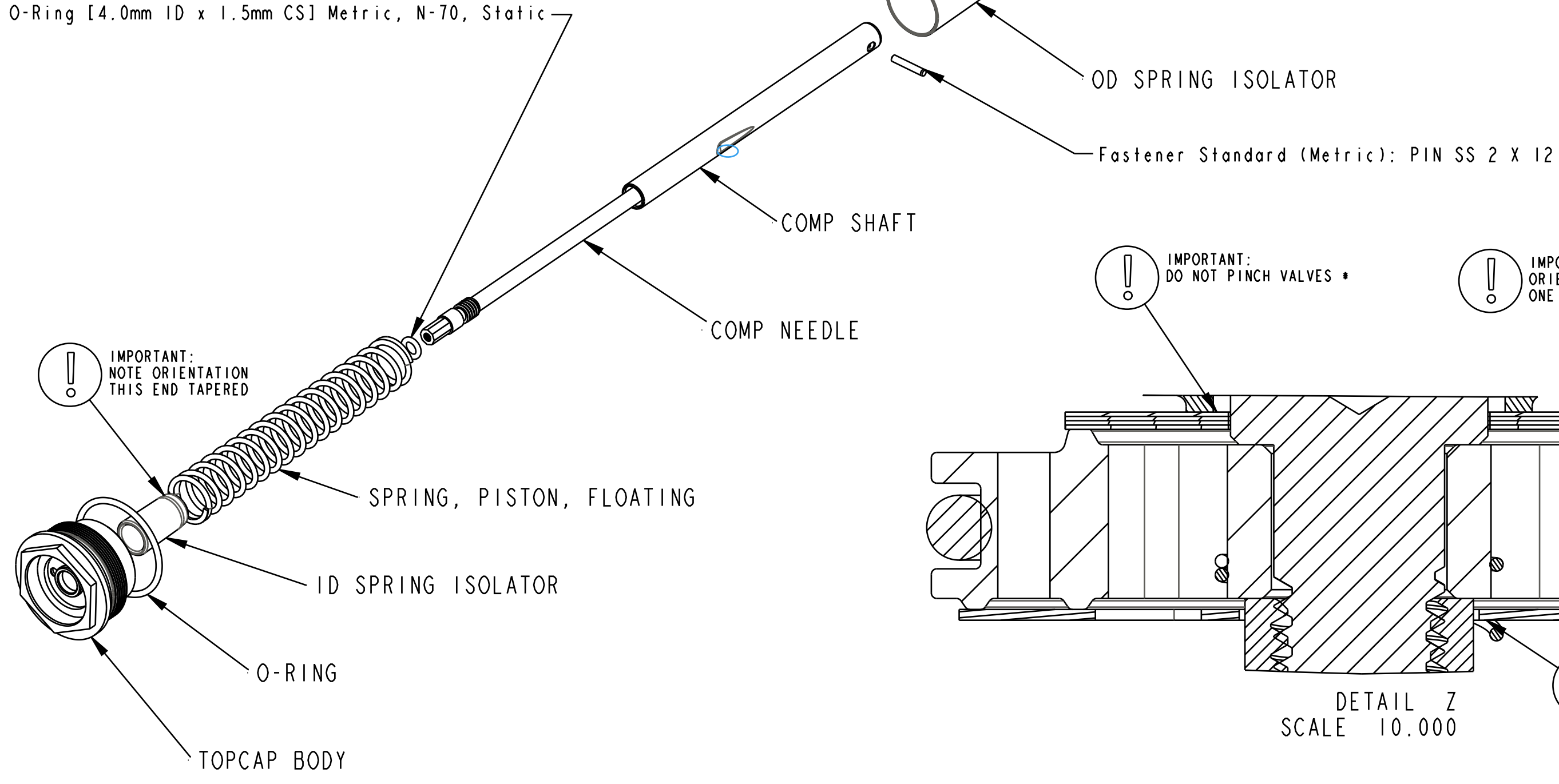


LOCTITE:
RED 263
1-2 DROPS

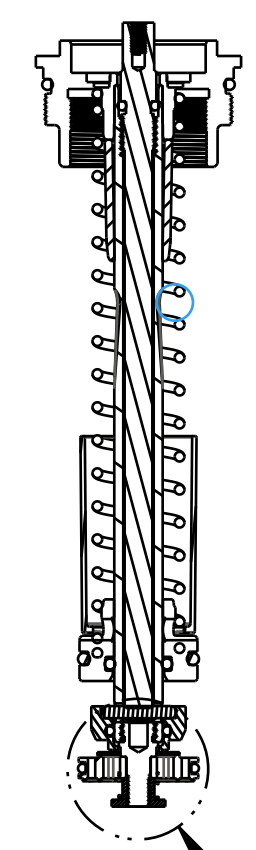
DETAIL Y
SCALE 4:1



Seals: O-Ring [4.0mm ID x 1.5mm CS] Metric, N-70, Static



DETAIL Z
SCALE 10.000



SECTION A-A
SEE DETAIL Z

PROPRIETARY
THIS DOCUMENT CONTAINS CONFIDENTIAL, PROPRIETARY INFORMATION
THAT IS FOX PROPERTY. DO NOT DISCLOSE TO OR DUPLICATE
FOR OTHERS EXCEPT AS AUTHORIZED BY FOX.

		FOX Factory, Inc.	Ph 831-768-1100
130 Hangar Way, Watsonville, CA 95076 USA		Fax 831-768-9312	
2019 32 Grip Damper, Topcap Assy			
SIZE	DWG. NO.	820-05-520-KIT	
C			
PLOT SCALE 0.80:1		SHEET 1 OF 1	