

4

3

2

1

D

D

C

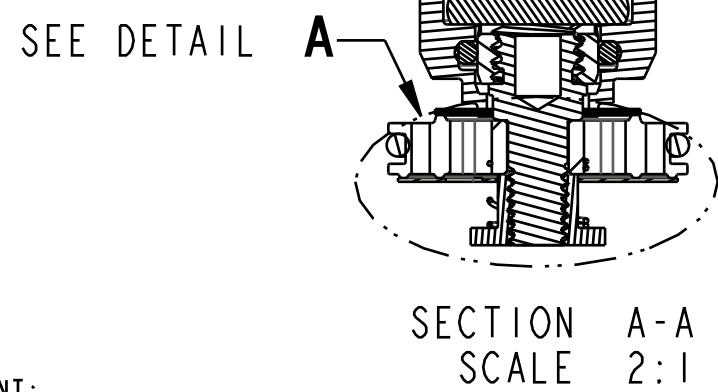
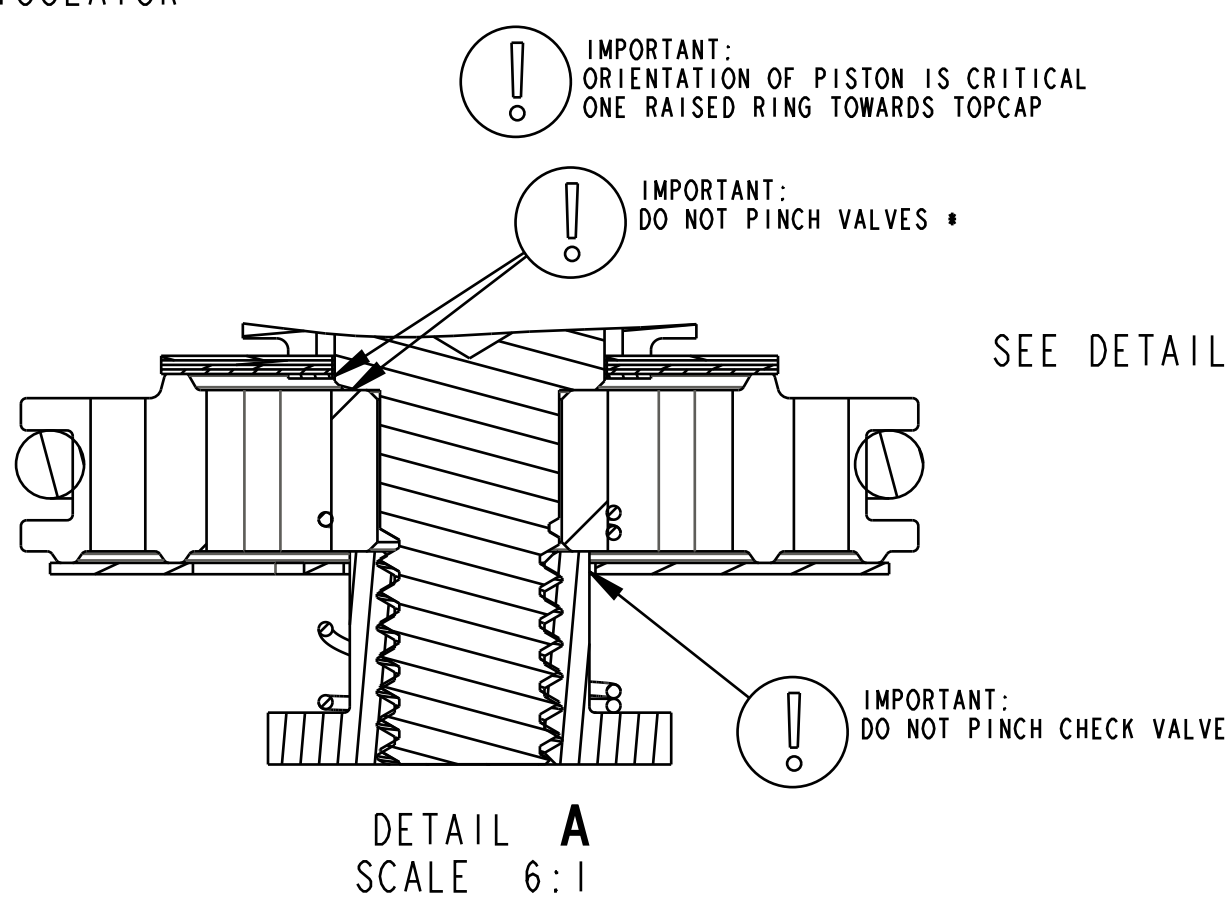
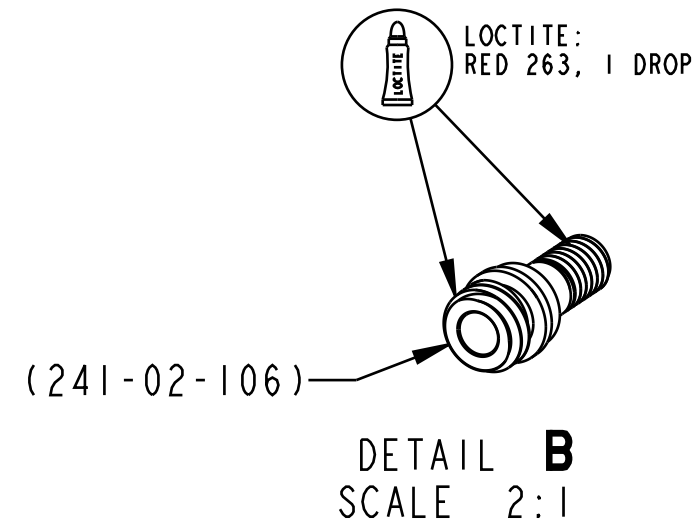
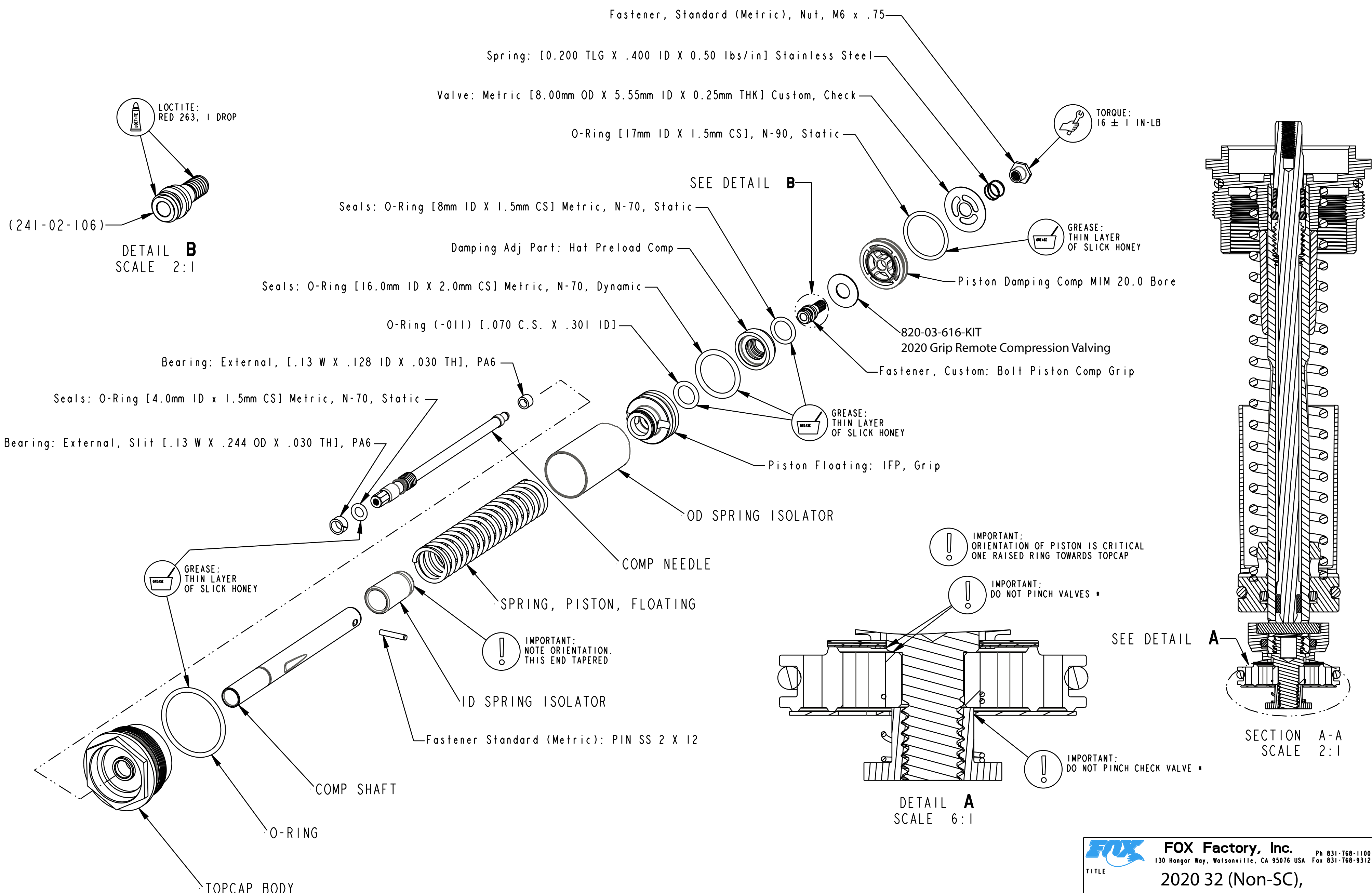
C

B

B

A

A



PROPRIETARY
 THIS DOCUMENT CONTAINS CONFIDENTIAL, PROPRIETARY INFORMATION
 THAT IS FOX PROPERTY. DO NOT DISCLOSE TO OR DUPLICATE
 FOR OTHERS EXCEPT AS AUTHORIZED BY FOX.

FOX FOX Factory, Inc.		Ph 831-768-1100
130 Hangar Way, Watsonville, CA 95076 USA		Fax 831-768-9312
TITLE	2020 32 (Non-SC), Grip Remote, Topcap Assy	
SIZE	DWG. NO.	820-05-605-KIT
PLOT SCALE	1:1	SHEET 1 OF 1

4

3

2

1

ProE ASSEM